

4

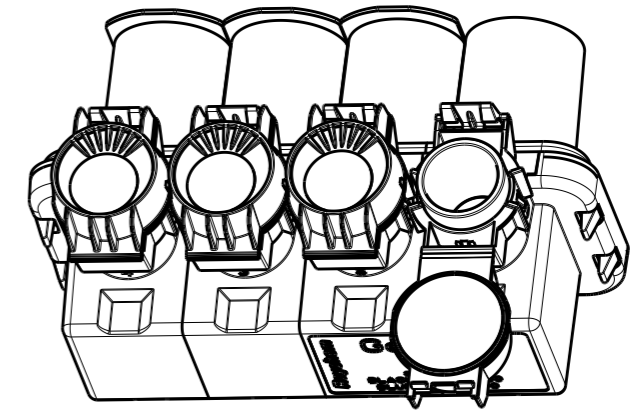
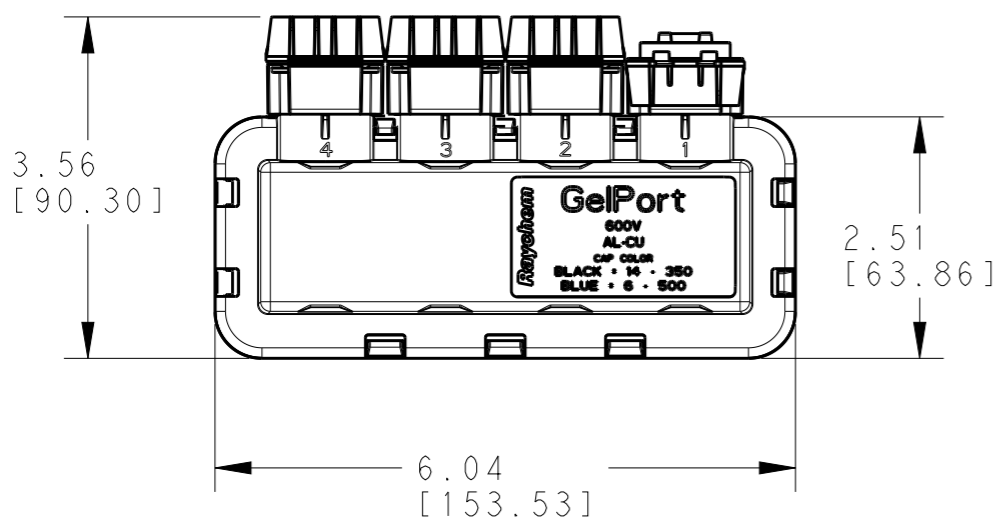
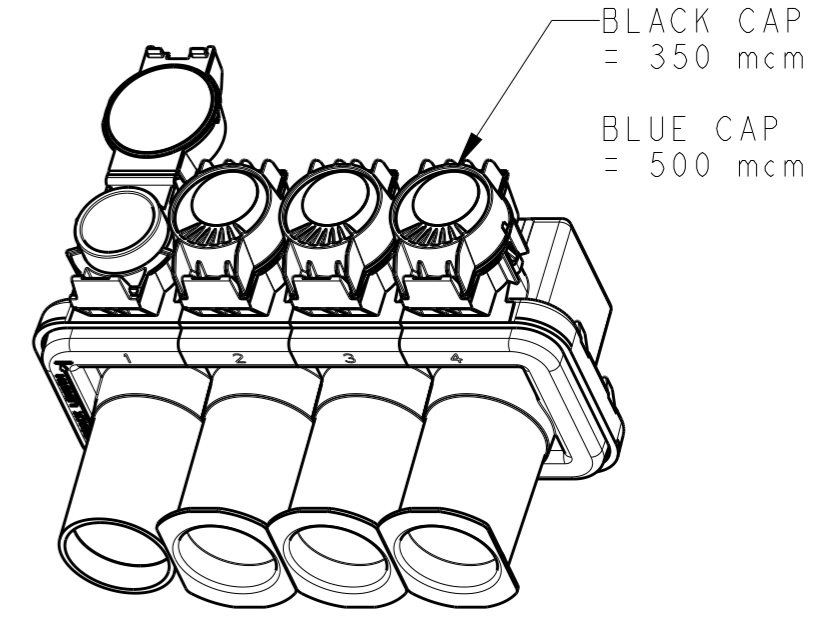
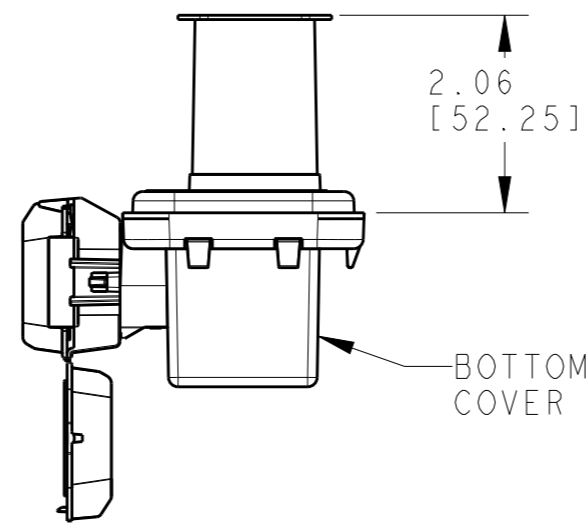
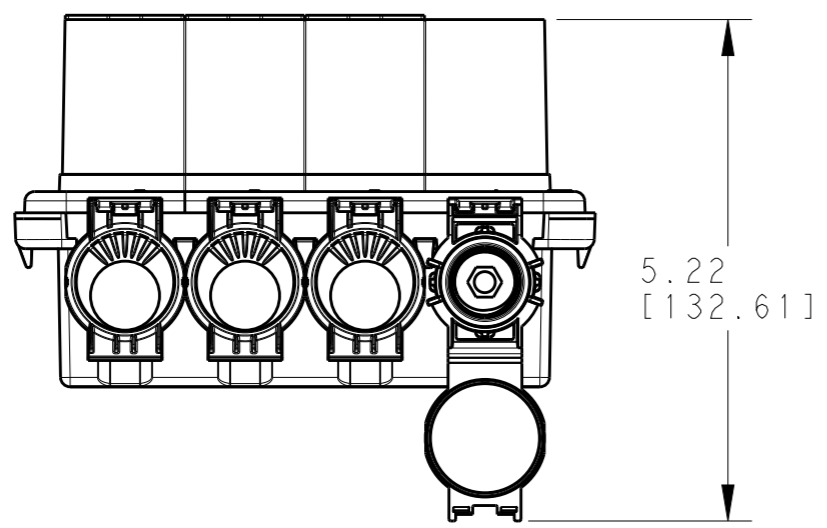
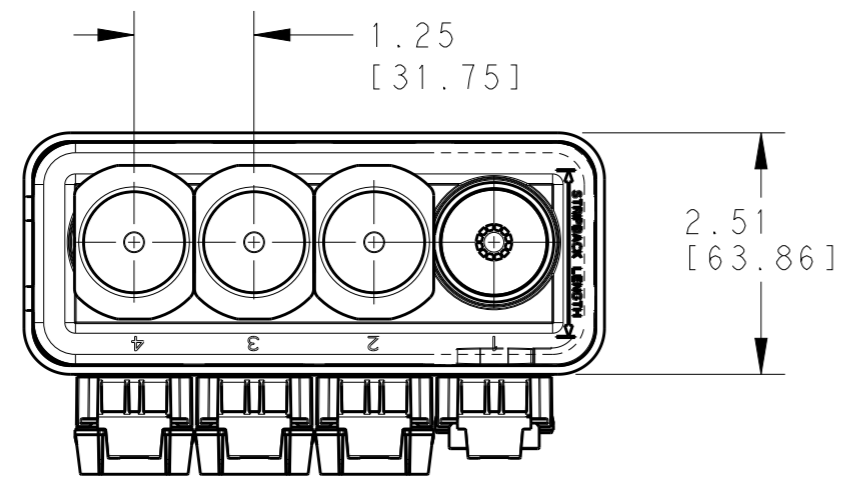
3

2

1

THIS DRAWING IS UNPUBLISHED. RELEASED FOR PUBLICATION 20
 © COPYRIGHT 20 BY - ALL RIGHTS RESERVED.

LOC	DIST	REVISIONS			
P	LTR	DESCRIPTION	DATE	DWN	APVD
-	-	A	RELEASE PER RTS 793000	13MAY2013	SW JN/JM



RAYCHEM P/N	DESCRIPTION	BOTTOM COVER	NO. of PORTS
E80847-000	GPRT-350-4P(B6)	BLACK	4 (350 mcm)
CA1257-000	GPRT-350-4P-C(B6)	CLEAR (C)	4 (350 mcm)
CS7069-000	GPRT-350-4P-C-ES(B6)	CLEAR/EXTRA PLATE (ES)	4 (350 mcm)

THIS DRAWING IS A CONTROLLED DOCUMENT.		DWN YASHKUMAR 18APR2013	TE Connectivity	
DIMENSIONS: INCHES [mm]		CHK J. NEWMAN 18APR2013		
TOLERANCES UNLESS OTHERWISE SPECIFIED:		APVD G. PULLIUM 18APR2013	NAME GELPORT 4 PORT	
0 PLC ±- 1 PLC ± 2 PLC ± 3 PLC ± 4 PLC ± ANGLES ±-		PRODUCT SPEC -	RESTRICTED TO -	
MATERIAL -		APPLICATION SPEC -	SIZE A3	CAGE CODE 00779
FINISH -		WEIGHT -	DRAWING NO. C-SCD-N918	
		Customer Drawing	SCALE 1:2	SHEET 1 OF 1
				REV A