

Mounting Brackets
E39-L
 Slits/Reflectors
E39-S/E39-R

CSM_E39-L/E39-S/E39-R_DS_E_19_2

Mounting Brackets [Refer to *Dimensions* on page 6.]

| Model | Fitting materials | Count | Accessories | | | Applicable sensor (mounting pitch on sensor side) | Page |
|----------|--------------------------|-------|--|--------------------------|-------|---|------------|
| | | | Description | Material | Count | | Dimensions |
| E39-L31 | Iron, zinc plating | 1 | Slotted/Phillips screws, M3 × 12 (with spring washers) | Iron, zinc plating | 2 | E3C-S50 (8) | 5 |
| E39-L40 | Iron, zinc plating | 1 | Phillips screws M4 × 25 (with spring and plain washers) | Iron, zinc plating | 2 | E3JK | |
| | | | Nuts M4 | Iron, zinc plating | 2 | | |
| E39-L41 | Iron, zinc plating | 2 | Phillips screws M3 × 14 (with spring washers) | Iron, zinc plating | 4 | E3C-1 (10) | |
| | | | Plain washer M3 | Iron, zinc plating | 4 | | |
| E39-L42 | Iron, black coating | 2 | Phillips screws M3 × 10 (with spring washers) | Iron, zinc plating | 4 | E3C-2 (20) E3C-DS10 (19) E3C-VS1G (19) E3C-VS3R (19) | |
| | | | Plain washer M3 | Iron, zinc plating | 4 | | |
| E39-L43 | Stainless steel (SUS304) | 1 | Slotted/Phillips screws M3 × 8 (with spring and plain washers) | Stainless steel (SUS304) | 2 | E3Z pre-wired model (25.4) | 7 |
| E39-L44 | Stainless steel (SUS304) | 1 | Slotted/Phillips screws M3 × 8 (with spring and plain washers) | Stainless steel (SUS304) | 2 | E3Z pre-wired model (25.4) | |
| E39-L51 | Iron, zinc plating | 1 | Slotted/Phillips screws M4 × 30 (with spring and plain washers) Nuts M4 | Iron, zinc plating | 2 | E3JM (40) | |
| | | | | Iron, nickel plating | 2 | | |
| E39-L53 | Iron, zinc plating | 1 | --- | --- | --- | E3JM (40) | |
| E39-L54V | Stainless steel (SUS304) | 1 | --- | --- | --- | E32-T54V | |
| E39-L83 | Stainless steel | 1 | --- | --- | --- | E32-T24S E32-A03 | 8 |
| E39-L85 | Stainless steel (SUS304) | 1 | Hexagonal bolts M4 × 12 (with spring and plain washers) | Iron, zinc plating | 2 | E3S-C (25.4) | |
| E39-L86 | Stainless steel (SUS304) | 1 | Hexagonal bolts M4 × 12 (with spring and plain washers) | Iron, zinc plating | 2 | E3S-C (25.4) | |
| E39-L87 | Stainless steel (SUS304) | 1 | Hexagonal bolts M4 × 12 (with spring and plain washers) | Iron, zinc plating | 2 | E3S-C (25.4) | |

Note: Applicable models that appear shaded come with the Mounting Brackets at left as accessories.

| Model | Fitting materials | Count | Accessories | | | Applicable sensor (mounting pitch on sensor side) | Page Dimensions |
|---|--------------------------|-------|---|--------------------------|-------|---|-----------------------------|
| | | | Description | Material | Count | | |
| E39-L93FH | Stainless steel (SUS304) | 1 | Holder (upper) | Heat-resistant ABS resin | 1 | E3Z (25.4) E39-R1/E39-R3 | 9 |
| | | | Holder (lower) | 66 nylon | 1 | | |
| | | | Pipe | Stainless steel (SUS304) | 1 | | |
| E39-L93FV | Stainless steel (SUS304) | 1 | Bolts M4 × 12 with Hexagonal holes | Iron, nickel plating | 2 | | |
| | | | Bolts M4 × 30 with hexagonal holes | Iron, nickel plating | 1 | | |
| E39-L93H | Stainless steel (SUS304) | 1 | Phillips screws M3 × 12 (with spring and plain washers) | Stainless steel (SUS304) | 2 | | |
| E39-L93V | Stainless steel (SUS304) | 1 | Spring washer M4 | Iron, nickel plating | 1 | | |
| | | | Plain washer M4 | Iron, nickel plating | 1 | | |
| | | | Nuts M4 | Iron, nickel plating | 3 | | |
| E39-L93XY | --- | --- | Holder | 66 nylon | 1 | | E3Z (25.4) E39-R1/E39-R3 |
| | | | Pipe | Stainless steel (SUS304) | 1 | | |
| | | | Bolts M5 × 16 with hexagonal holes | Stainless steel (SUS304) | 2 | | |
| | | | Nuts M5 | Stainless steel (SUS304) | 2 | | |
| | | | Phillips screws M3 × 10 | Iron, zinc plating | 4 | | |
| E39-L94 | Iron, zinc plating | 2 | Nuts M3 | Iron, zinc plating | 4 | E32-T16P (19) E32-T16PR (19) | 10 |
| E39-L96 | Stainless steel (SUS304) | 1 | Phillips screws M3 × 6 (with spring and plain washers) | Iron, nickel plating | 2 | E39-R1 | |
| * For installation of Sensor Adjuster E39-L93 | | | | | | | |
| E39-L98 | Stainless steel (SUS304) | 1 | Slotted/Phillips screws M3 × 12 (with spring and plain washers) | Stainless steel (SUS304) | 2 | E3Z pre-wired model (25.4) | 11 |
| E39-L102 | Stainless steel (SUS304) | 1 | Hexagonal bolts M4 × 12 (with spring and plain washers) | Iron, zinc plating | 2 | E3S-C (horizontal type) (25.4) | |
| E39-L103 | Stainless steel (SUS304) | 1 | Hexagonal bolts M4 × 12 (with spring and plain washers) | Iron, zinc plating | 2 | E3S-C (vertical type) (25.4) | |
| E39-L104 | Stainless steel (SUS304) | 1 | Slotted/Phillips screws M3 × 8 (with spring and plain washers) | Stainless steel (SUS304) | 2 | E3Z pre-wired model (25.4) E32-R21 (for installation of E39-R3) (25.4) | |
| E39-L116 | Stainless steel (SUS304) | 1 | Nut plate | Stainless steel (SUS304) | 1 | E3T-S (9/15) | 12 |
| E39-L117 | Stainless steel (SUS304) | 1 | Nut plate | Stainless steel (SUS304) | 1 | E3T-S (9/15) | |
| E39-L118 | Stainless steel (SUS304) | 1 | Nut plate | Stainless steel (SUS304) | 1 | E3T-S (9/15) | |
| E39-L119 | Stainless steel (SUS304) | 1 | --- | --- | --- | E3T-F (8) | |
| E39-L120 | Stainless steel (SUS304) | 1 | --- | --- | --- | E3T-F (8) | |
| E39-L127-T1 | Iron, zinc plating | 1 | Phillips screws M2.3 × 8 | Iron, zinc plating | 4 | E3C-S10 (7.5) | |
| | | | Spring washer M2.3 | Iron, zinc plating | 4 | | |
| E39-L127-T2 | Iron, zinc plating | 1 | Phillips screws M2.3 × 8 | Iron, zinc plating | 4 | | |
| | | | Spring washer M2.3 | Iron, zinc plating | 4 | | |
| E39-L127-T3 | Iron, zinc plating | 1 | Phillips screws M2.3 × 8 | Iron, zinc plating | 4 | | |
| | | | Spring washer M2.3 | Iron, zinc plating | 4 | | |

Note: Applicable models that appear shaded come with the Mounting Brackets at left as accessories.

| Model | Fitting materials | Count | Accessories | | | Applicable sensor (mounting pitch on sensor side) | Page | |
|----------|----------------------------------|-------|---|--|-------|---|------------|----|
| | | | Description | Material | Count | | Dimensions | |
| E39-L131 | Stainless steel (SUS304) | 1 | Slotted/Phillips screws M4 × 25 | Stainless steel (SUS304) | 2 | E3G-R1□ (25) E3G-L7□ (25) | 13 | |
| | | | Spring washer M4 | Stainless steel (SUS304) | 2 | | | |
| | | | Plain washer M4 | Stainless steel (SUS304) | 2 | | | |
| | | | Nuts M4 | Stainless steel (SUS304) | 2 | | | |
| E39-L132 | Stainless steel (SUS304) | 1 | Slotted/Phillips screws M4 × 25 | Stainless steel (SUS304) | 2 | E3G-R1□ (25) E3G-L7□ (25) | | |
| | | | Spring washer M4 | Stainless steel (SUS304) | 2 | | | |
| | | | Plain washer M4 | Stainless steel (SUS304) | 2 | | | |
| | | | Nuts M4 | Stainless steel (SUS304) | 2 | | | |
| E39-L135 | Stainless steel (SUS304) | 1 | Slotted/Phillips screws M4 × 35 | Stainless steel (SUS304) | 2 | E3G-MR19 (T) E3G-ML79 (T) | | |
| | | | Spring washer M4 | Stainless steel (SUS304) | 2 | | | |
| | | | Plain washer M4 | Stainless steel (SUS304) | 2 | | | |
| | | | Nuts M4 | Stainless steel (SUS304) | 2 | | | |
| E39-L136 | Stainless steel (SUS304) | 1 | Slotted/Phillips screws M4 × 35 | Stainless steel (SUS304) | 2 | E3G-MR19 (T) E3G-ML79 (T) | | |
| | | | Spring washer M4 | Stainless steel (SUS304) | 2 | | | |
| | | | Plain washer M4 | Stainless steel (SUS304) | 2 | | | |
| | | | Nuts M4 | Stainless steel (SUS304) | 2 | | | |
| E39-L142 | Stainless steel (SUS304) | 1 | Slotted/Phillips screws M3 × 8 (with spring and plain washers) | Stainless steel (SUS304) | 2 | E3Z pre-wired model (25.4) | | |
| E39-L143 | Stainless steel (SUS304) | 1 | None | --- | --- | E3X-DA-S/MDA E3X-NA E3C-LDA E2C-EDA E4C-UDA | | |
| E39-L144 | Stainless steel (SUS304) | 1 | Slotted/Phillips screws M3 × 12 (with spring and plain washers) | Stainless steel (SUS304) | 2 | E3Z pre-wired model (25.4) | | |
| E39-L148 | Stainless steel (SUS304) | 1 | None | --- | --- | E3X-NA | | |
| E39-L149 | Iron, black coating | 1 | None | --- | --- | E3Z-G | | |
| E39-L150 | Stainless steel (SUS304) | 1 | Holder/bracket | PBT (polybutylene terephthalate) | 1 | E3Z (25.4) E3S-R6□/R8□ (20) E39-R3 | 14 | |
| | | | Shaft (brace) | Stainless steel (SUS304) | 1 | | | |
| | | | Bolt with hexagonal hole | Stainless steel (SUSXM7) | 1 | | | |
| | | | Nut | Stainless steel (SUS304) | 1 | | | |
| | | | Phillips screw | Stainless steel (SUSXM7) | 1 | | | |
| | | | Slotted/Phillips screws | Stainless steel (SUS304) | 2 | | | |
| E39-L151 | Stainless steel (SUS304) | 1 | Holder/bracket | PBT (polybutylene terephthalate) | 1 | E3Z (25.4) E3S-R6□/R8□ (20) E39-R3 | | |
| | | | Shaft (brace) | Stainless steel (SUS304) | 1 | | | |
| | | | Bolt with hexagonal hole | Stainless steel (SUSXM7) | 1 | | | |
| | | | Nut | Stainless steel (SUS304) | 1 | | | |
| | | | Phillips screw | Stainless steel (SUSXM7) | 1 | | | |
| | | | Slotted/Phillips screws | Stainless steel (SUS304) | 2 | | | |
| E39-L153 | Stainless steel (SUS304) | 1 | Slotted/Phillips screws M3 × 8 (with spring and plain washers) | Stainless steel (SUSXM7) Stainless steel (SUS304) | 2 | E3Z pre-wired model (25.4) | | |
| E39-L166 | Stainless steel (SUS304) | 1 | Nut plate | Stainless steel (SUS304) | 1 | E3T-S□□M (13/16) | | |
| E39-L167 | Stainless steel (SUS304) | 1 | --- | --- | --- | E3T-FD□□M (8) | | |
| E39-L168 | PBT (polybutylene terephthalate) | 1 | --- | --- | --- | E3T-FD□□M | | |
| E39-L180 | Stainless steel (SUS304) | 1 | Phillips screw | Stainless steel | 2 | ZX1-LD50□ ZX1-LD100□ | 16 | |
| | | | Nut plate | Stainless steel | 1 | | | |
| E39-L181 | Stainless steel (SUS304) | 1 | Phillips screw | Stainless steel | 2 | ZX1-LD300□ ZX1-LD600□ | | |
| | | | Nut plate | Stainless steel | 1 | | | |
| E39-L185 | Stainless steel (SUS304) | 1 | Phillips screw | Stainless steel | 2 | E3NC-LH02 | | |
| | | | Nut plate | Stainless steel | 1 | | | |
| E39-L186 | Stainless steel (SUS304) | 1 | Phillips screw | Stainless steel | 2 | E3NC-LH01 | | |
| | | | Nut plate | Stainless steel | 1 | | | |
| E39-L187 | Stainless steel (SUS304) | 1 | Phillips screw | Stainless steel | 2 | E3NC-SH250H E3NC-SH250 E3NC-SH100 | | 17 |
| | | | Nut plate | Stainless steel | 1 | | | |
| | | | Phillips screw | Stainless steel | 2 | | | |
| E39-L188 | Stainless steel (SUS304) | 1 | Phillips screw | Stainless steel | 2 | E3NC-SH250H E3NC-SH250 E3NC-SH100 | | |
| | | | Nut plate | Stainless steel | 1 | | | |
| E39-L190 | Stainless steel (SUS304) | 1 | Phillips screw | Stainless steel | 2 | E3NC-LH03 | | |
| | | | Nut plate | Stainless steel | 1 | | | |

Note: Applicable models that appear shaded come with the Mounting Brackets at left as accessories.

Slits

| Model | Slit width | Installation procedure | Applicable type | |
|----------|----------------------------|------------------------|-----------------------|----------|
| E39-S39 | Width 1 × 20 mm | Seal type | E3JM-10□4 (T)-N | |
| E39-S61 | Width 0.5, 1, 2, 4 × 11 mm | | E3S-CT□1 | |
| E39-S63 | 0.5-mm dia., 1 mm | | E3T-ST□□ | |
| E39-S64 | 0.5-mm dia., 1 mm | | E3T-FT□□ | |
| E39-S65A | 0.5 mm dia. | | Plug-in type | E3Z-T□□□ |
| E39-S65B | 1-mm dia. | | | |
| E39-S65C | 2-mm dia. | | | |
| E39-S65D | Width 0.5 × 10 mm | | | |
| E39-S65E | Width 1 × 10 mm | | | |
| E39-S65F | Width 2 × 10 mm | | | |
| E39-S68 | Width 0.5, 1 × 13.4 mm | Seal type | E32-T16P E32-T16PR | |
| E39-S76A | 0.5-mm dia. | Plug-in type | E3T-ST□□M | |
| E39-S76B | 1-mm dia. | | | |

Note: □ Applicable models that appear shaded come with the Slits at left as accessories

Reflectors (Refer to Dimensions on page 18.)

| Item | Name Model | Reflectors | | | Non-fogging reflective plate | Reflectors | | | Special Reflector for E3ZM-B | | |
|-------------------------------------|---------------|-------------|---------|-------------|---------------------------------|-------------|--------|--|------------------------------|-------------|----------|
| | | E39-R1 | E39-R1S | E39-R1K | | E39-R2 | E39-R6 | E39-R10 | E39-RP1 | E39-RSP1 | E39-RP37 |
| Directional angle | | 30° min. *1 | | | | 30° min. *2 | | | 30° min. | | |
| Ambient operating temperature range | | -25 to 55°C | | | | | | -40 to 60°C | | -25 to 55°C | |
| Ambient storage temperature range | | -40 to 70°C | | -40 to 55°C | | -40 to 70°C | | | 0 to 40°C | | |
| Ambient operating humidity range | | 35% to 85% | | | | 35% to 95% | | 35% to 85% | | | |
| Ambient storage humidity range | | 35% to 95% | | | | | | 35% to 85% | | | |
| Degree of protection | | IEC IP67 | | | | | | --- | | | |
| Accessories | | --- | | | | | | Phillips screws M3 × 8, spring washers M3, nuts M3 | | | |

*1. 40° or higher for E3JM-R and E3JK-R.

*2. 40° or higher for E3G-R.

| Item | Name Model | Small reflector | | | | Tape reflector * | | |
|-------------------------------------|---------------|-----------------|--|------------|--|-----------------------|-----------------------|-----------------------|
| | | E39-R9 | E39-R3 | E39-R4 | E39-R37-CA * | E39-RS1 E39-RS1-CA | E39-RS2 E39-RS2-CA | E39-RS3 E39-RS3-CA |
| Directional angle | | 30° min. | | | | | | |
| Ambient operating temperature range | | -25 to 55°C | | | | | | |
| Ambient storage temperature range | | -40 to 70°C | | | 0 to 40°C | | | |
| Ambient operating humidity range | | 35% to 95% | | 35% to 85% | | | | |
| Ambient storage humidity range | | 35% to 95% | | | 35% to 85% | | | |
| Degree of protection | | IEC IP67 | | | | | | |
| Accessories | | --- | Mounting Brackets E39-L104 (with screws) | --- | Phillips screws M3 × 8, spring washers M3, nuts M3 | --- | | |

* Models ending in the suffix "-CA" are reflectors only for E3T-SR4□.

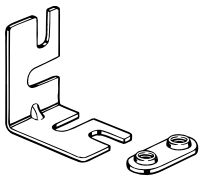
| Item | Name Model | Laser Reflectors | | | | |
|-------------------------------------|---------------|-----------------------------|---------|---|---------|---------|
| | | Standard | | Short-distance transparent object detection | Sheets | |
| | | E39-R12 | E39-R13 | | E39-R14 | E39-RS4 |
| Ambient operating temperature range | | -10 to 55°C (No icing) | | | | |
| Ambient storage temperature range | | -25 to 70°C (No icing) | | | | |
| Ambient operating humidity range | | 35 to 85% (No condensation) | | | | |
| Ambient storage humidity range | | 35 to 85% (No condensation) | | | | |

| Name | | Laser Reflectors | | | |
|-------------------------------------|-------|--|-----------|------------|------------|
| Item | Model | Standard | | Sheets | |
| | | E39-R21 * | E39-R22 * | E39-RS10 * | E39-RS11 * |
| Ambient operating temperature range | | -10 to 55°C (No icing and no condensation) | | | |
| Ambient storage temperature range | | -25 to 70°C (No icing and no condensation) | | | |
| Ambient operating humidity range | | 35 to 85% (No condensation) | | | |
| Ambient storage humidity range | | 35 to 85% (No condensation) | | | |

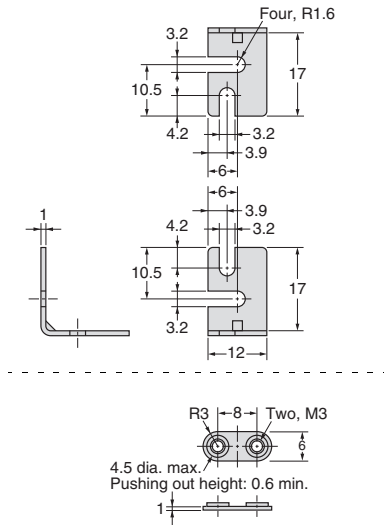
* Models only for E3NC-LH03

Mounting Bracket Dimensions

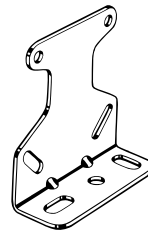
E39-L31



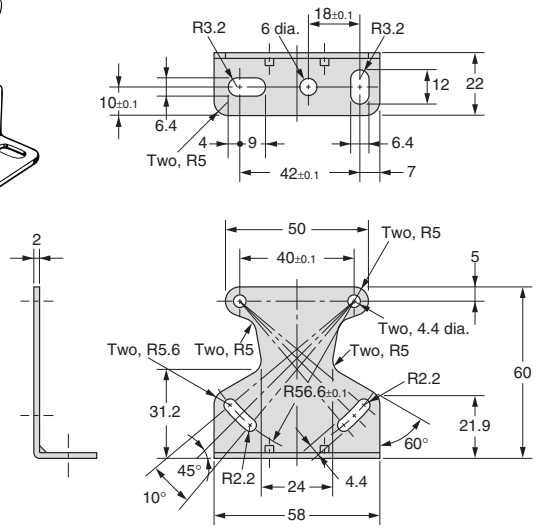
Material: Iron



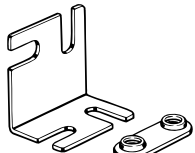
E39-L40



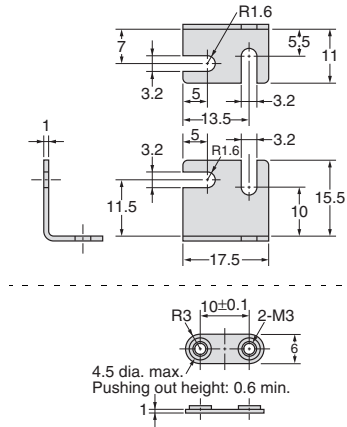
Material: Iron



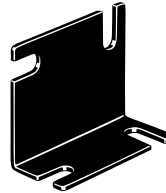
E39-L41



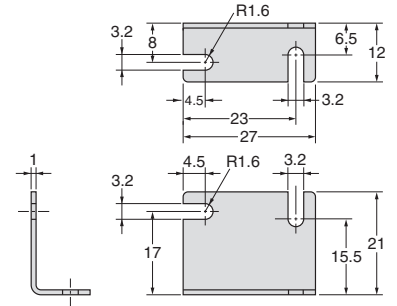
Material: Iron



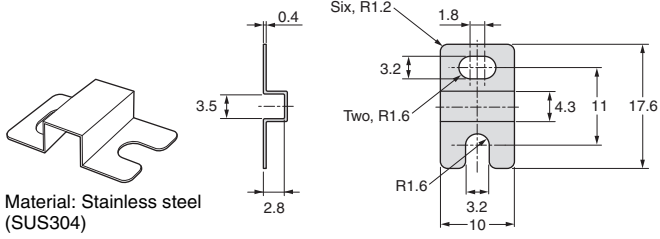
E39-L42



Material: Iron

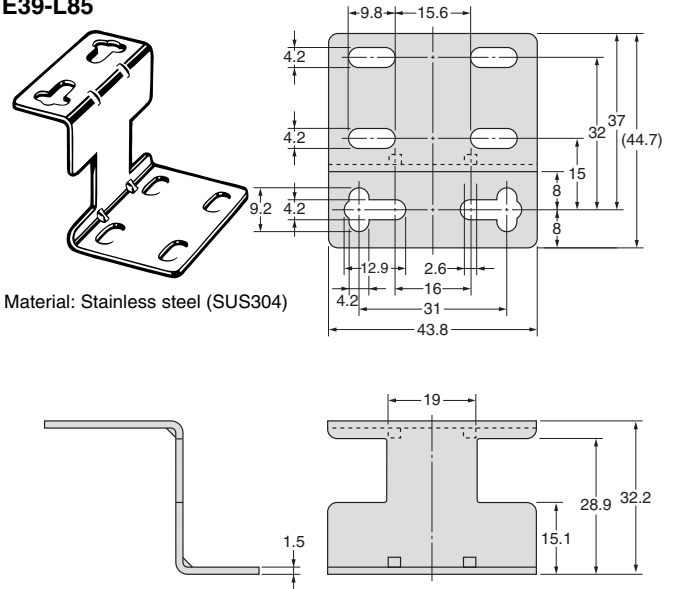


E39-L83



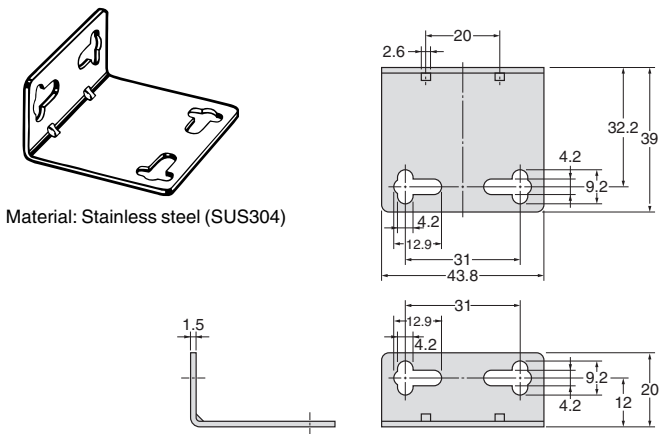
Material: Stainless steel (SUS304)

E39-L85



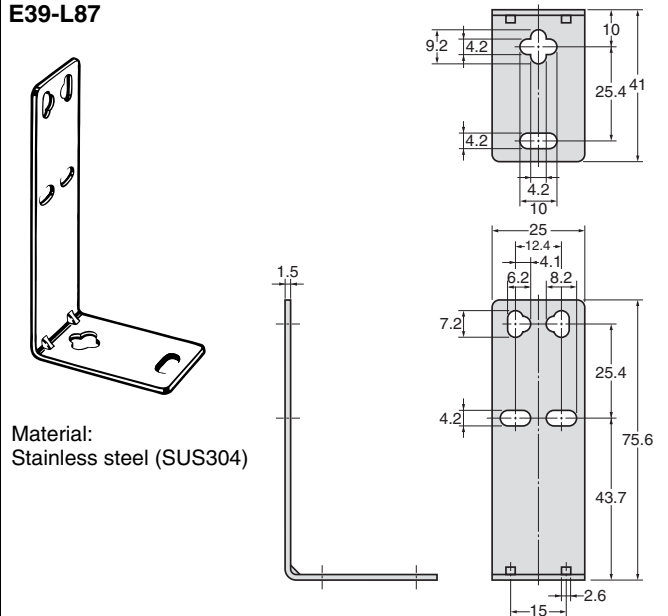
Material: Stainless steel (SUS304)

E39-L86



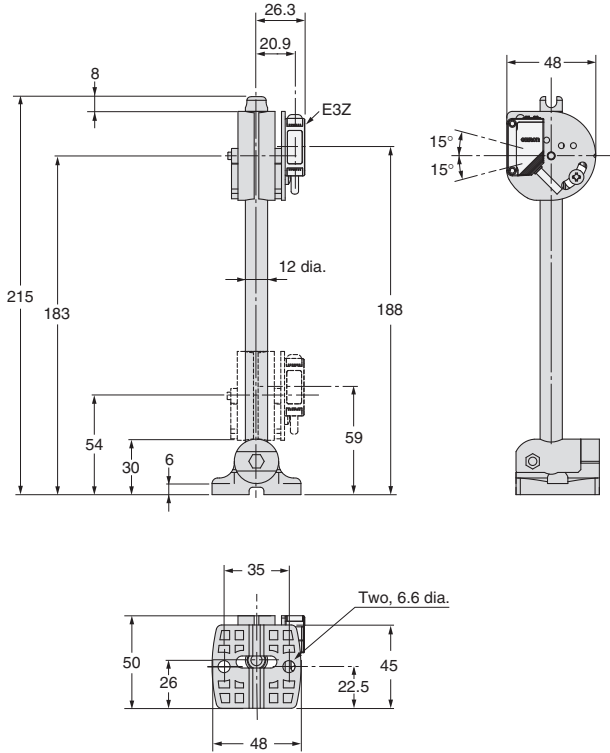
Material: Stainless steel (SUS304)

E39-L87

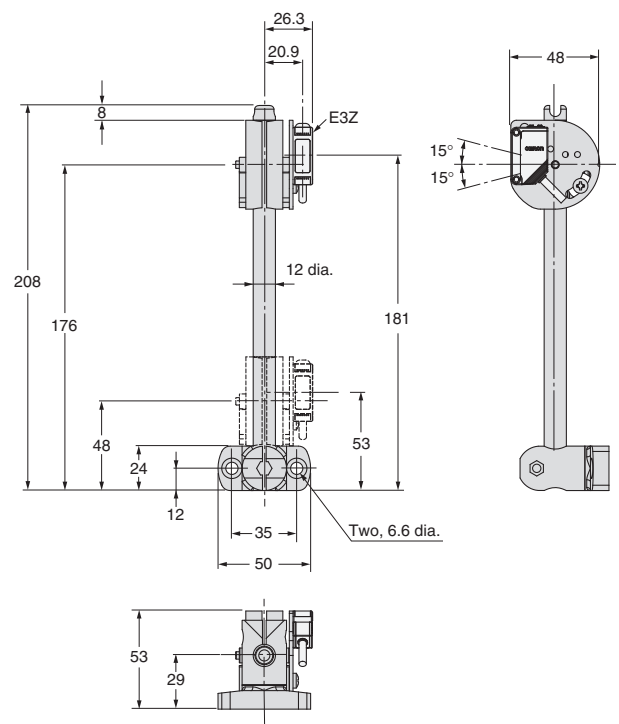


Material: Stainless steel (SUS304)

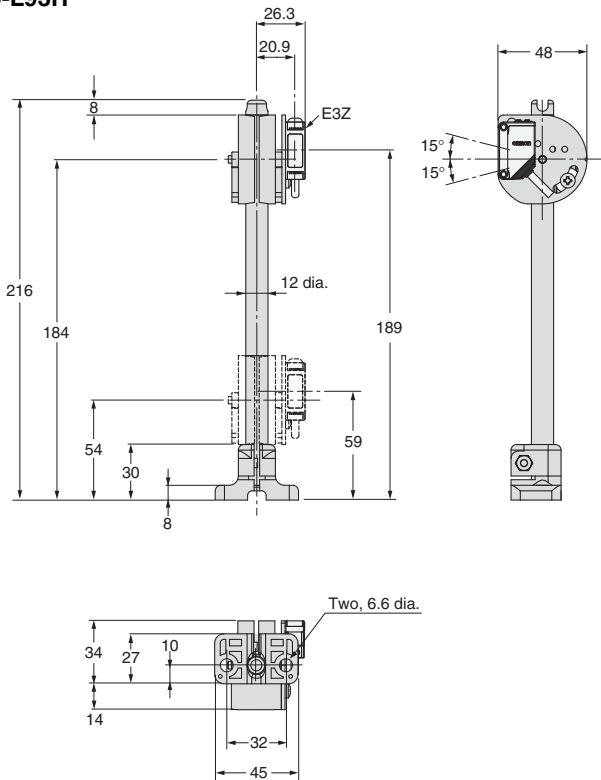
E39-L93FH



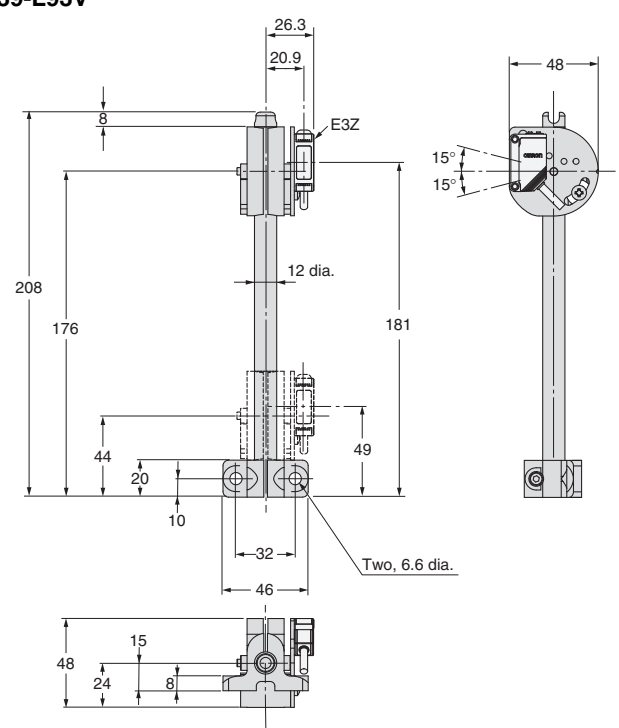
E39-L93FV



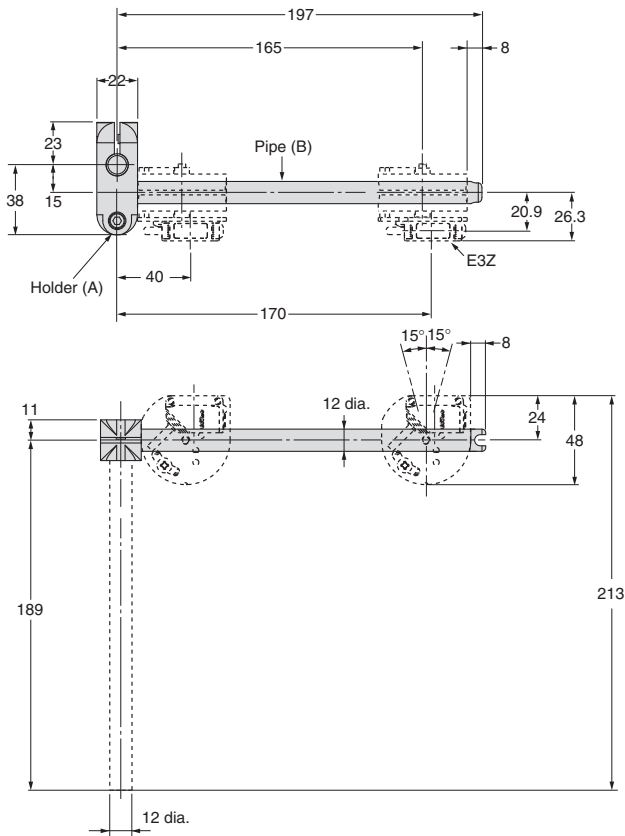
E39-L93H



E39-L93V

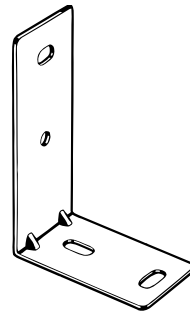


E39-L93XY

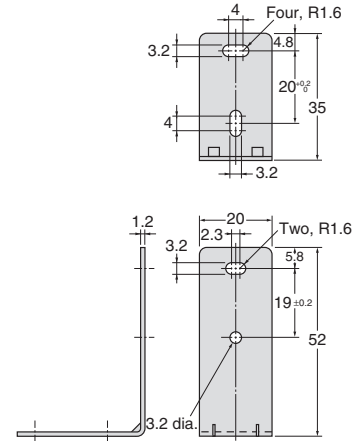


Note: The E39-L93XY consists of only the one joint holder (A) and pipe, and the two hexagonal bolts and nuts. It cannot be mounted to the Sensor alone.

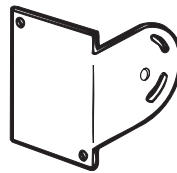
E39-L94



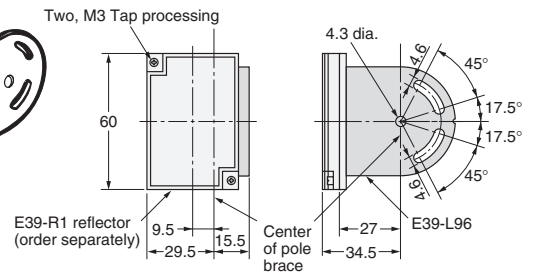
Material: Iron



E39-L96

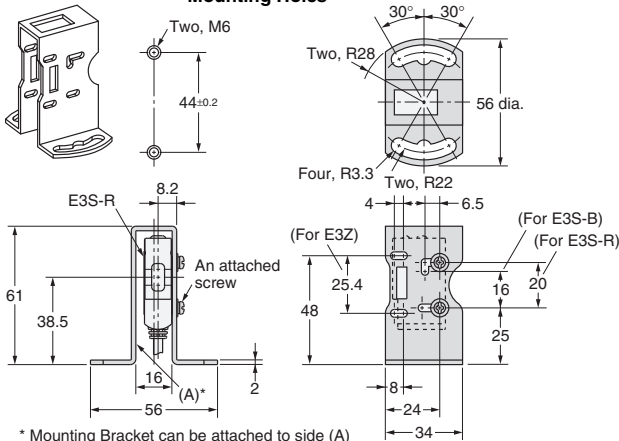


Material: Stainless steel (SUS304)
2-mm-thick



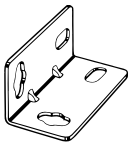
E39-L98

Mounting Holes

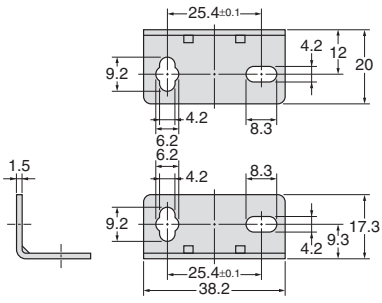


* Mounting Bracket can be attached to side (A)
Material: Stainless steel (SUS304)

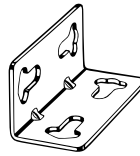
E39-L102



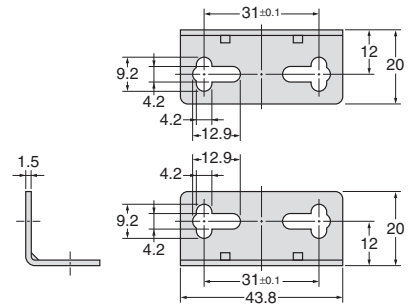
Material:
Stainless steel (SUS304)



E39-L103



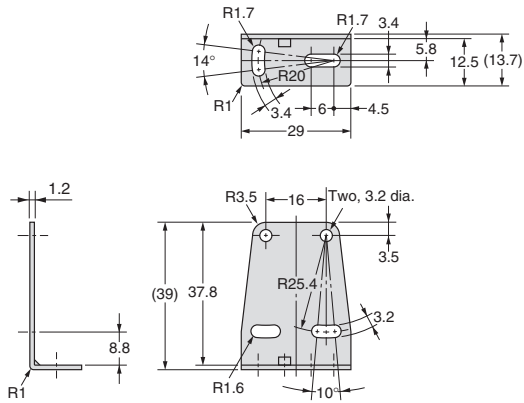
Material:
Stainless steel (SUS304)



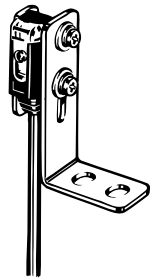
E39-L104



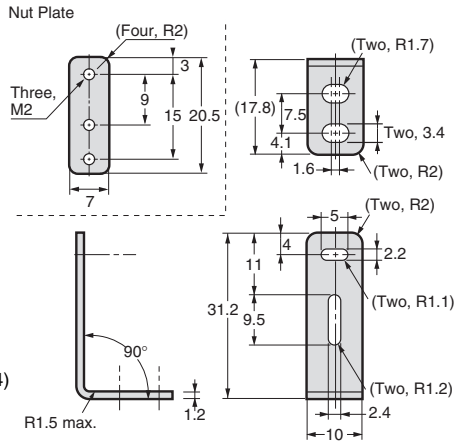
Material:
Stainless steel
(SUS304)



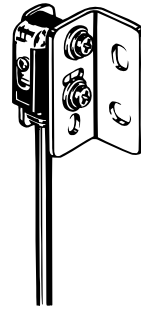
E39-L116



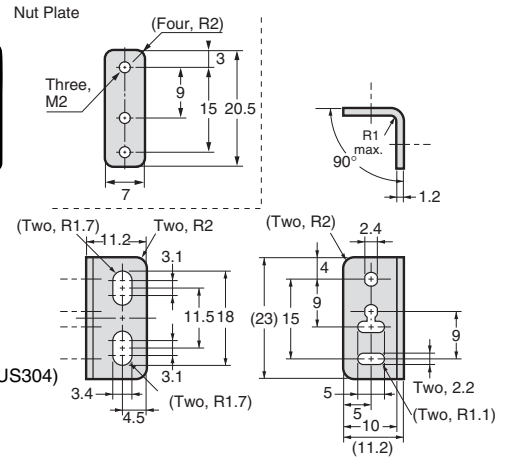
Material:
Stainless steel (SUS304)
1.2-mm-thick



E39-L117



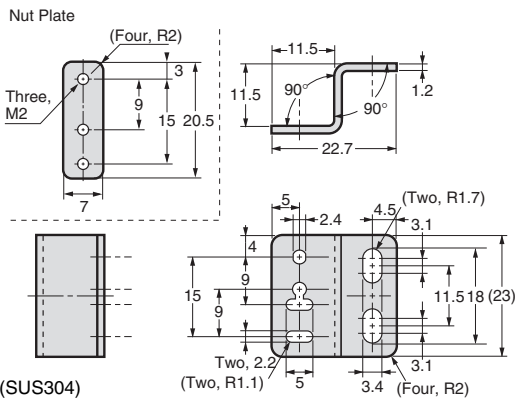
Material:
Stainless steel (SUS304)
1.2-mm-thick



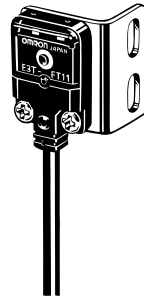
E39-L118



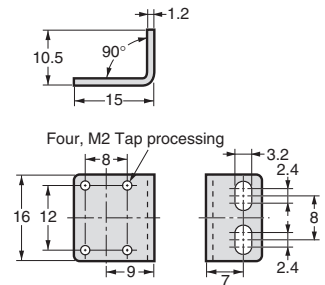
Material:
Stainless steel (SUS304)
1.2-mm-thick



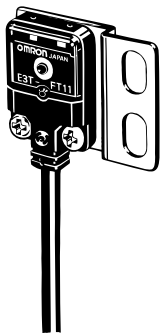
E39-L119



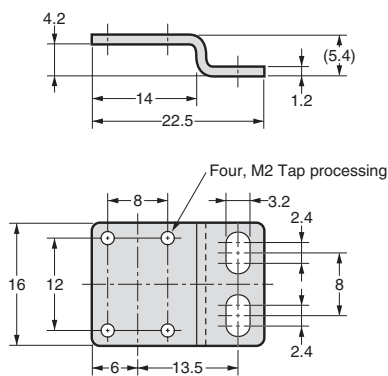
Material:
Stainless steel (SUS304)
1.2-mm-thick



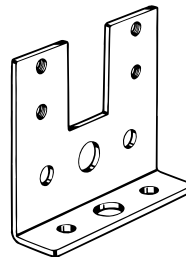
E39-L120



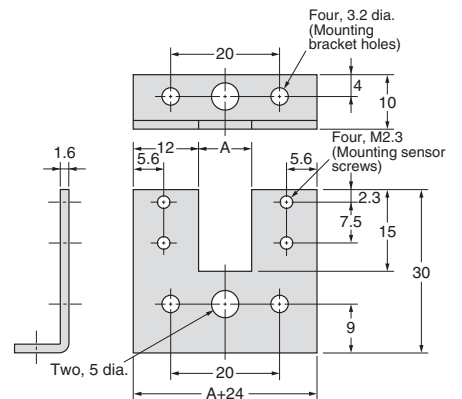
Material: Stainless steel (SUS304)
1.2-mm-thick



**E39-L127-T1
E39-L127-T2
E39-L127-T3**

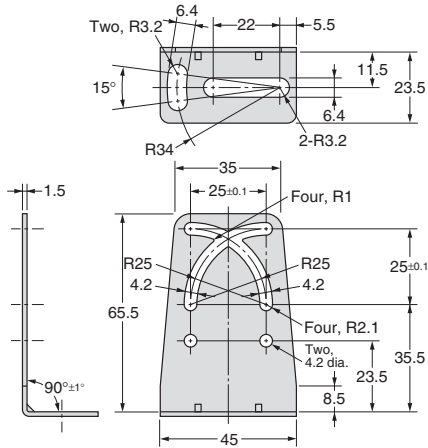
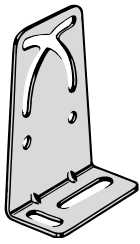


Material: Iron



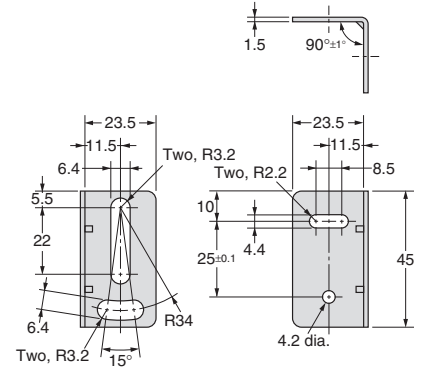
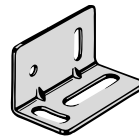
| Model | Dimension A (mm) |
|-------------|------------------|
| E39-L127-T1 | 10 |
| E39-L127-T2 | 20 |
| E39-L127-T3 | 30 |

E39-L131



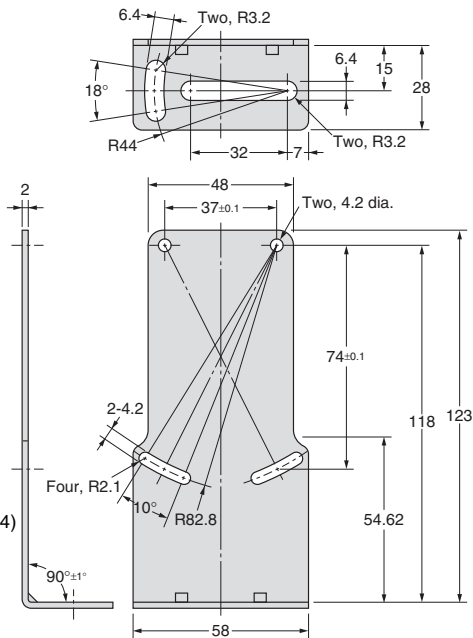
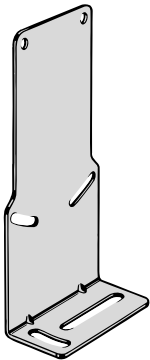
Material: Stainless steel (SUS304)

E39-L132



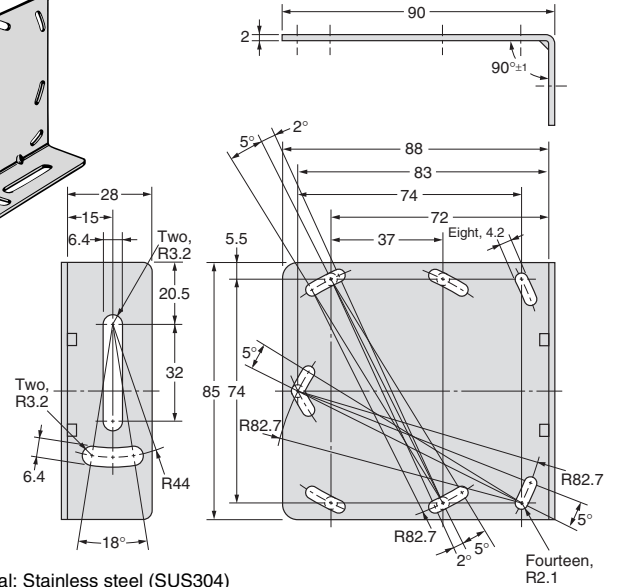
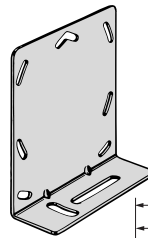
Material: Stainless steel (SUS304)

E39-L135



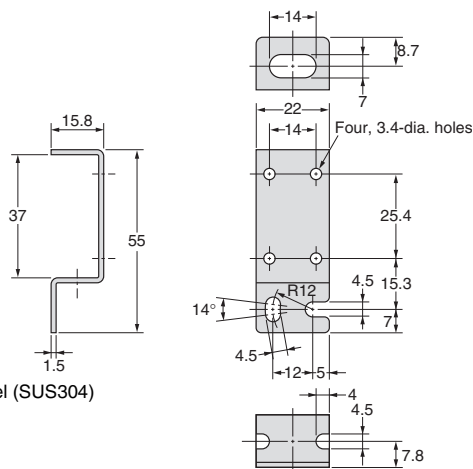
Material: Stainless steel (SUS304)

E39-L136



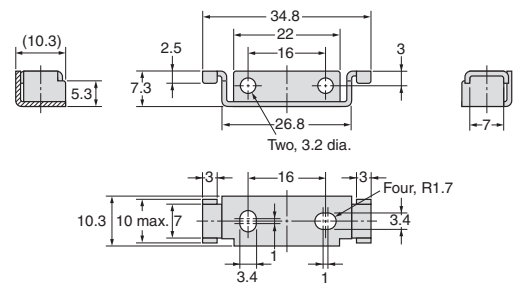
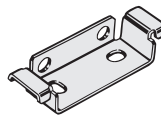
Material: Stainless steel (SUS304)

E39-L142



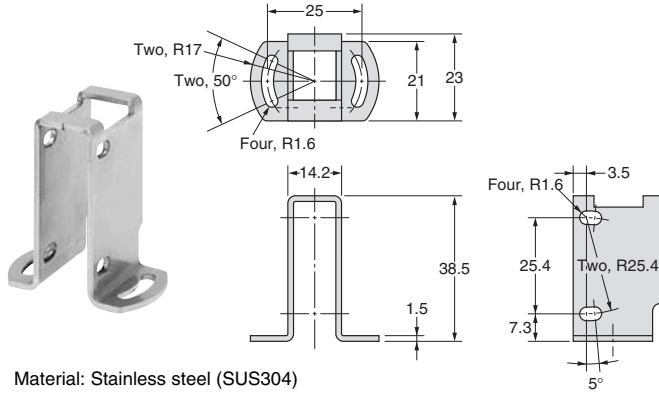
Material: Stainless steel (SUS304)

E39-L143

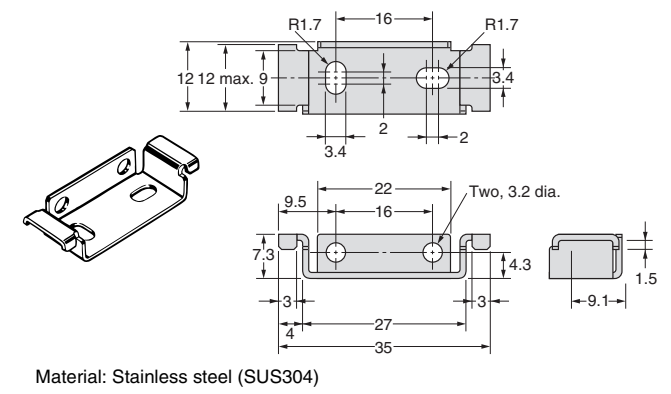


Material: Stainless steel (SUS304)

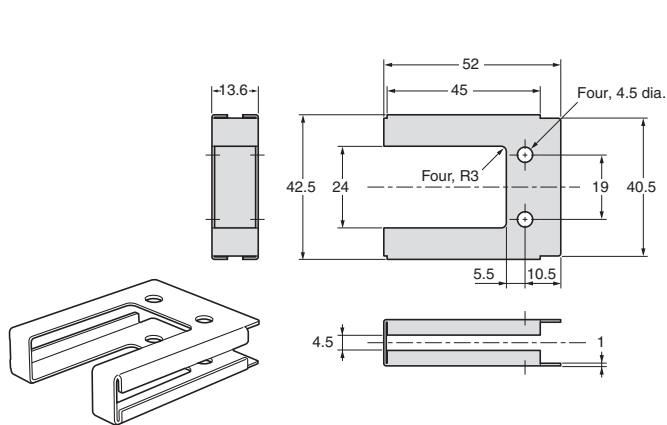
E39-L144



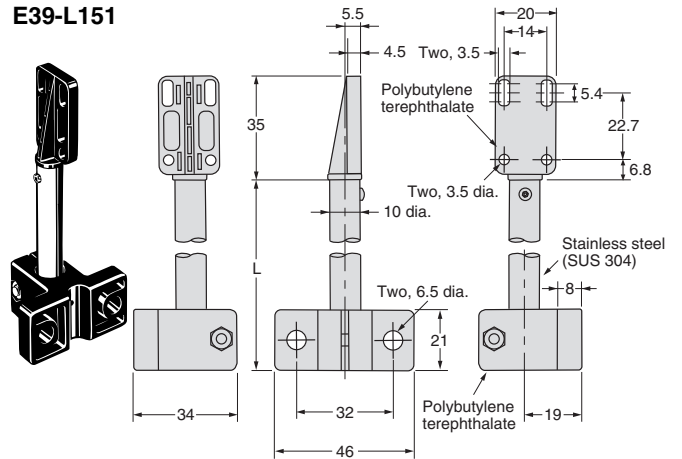
E39-L148



E39-L149

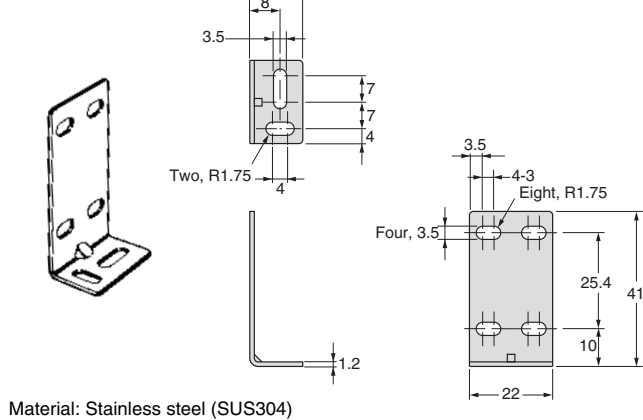


**E39-L150
E39-L151**

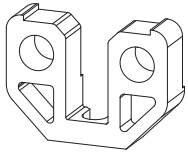


| Length (mm) | |
|-------------|-----|
| Model | L |
| E39-L150 | 65 |
| E39-L151 | 165 |

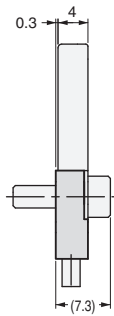
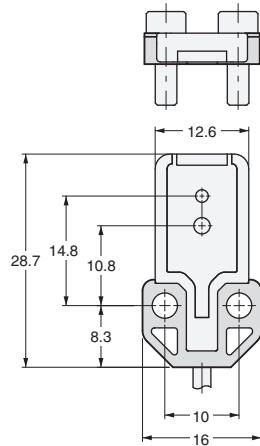
E39-L153



E39-L168

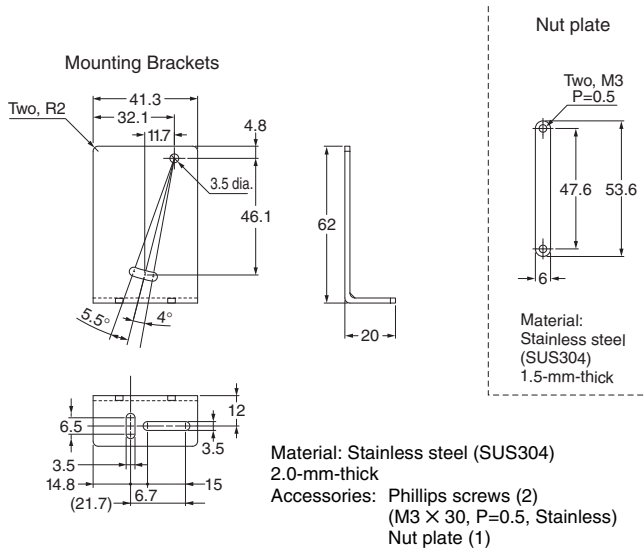


Material: Polybutylene terephthalate

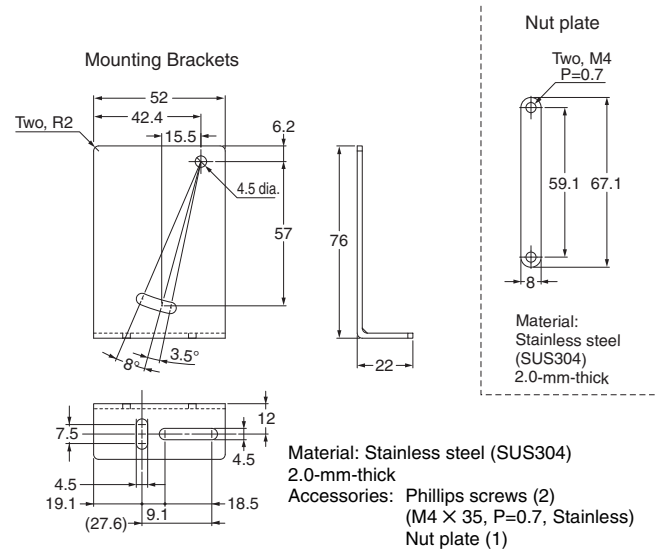


Note: Use this Spacer when mounting the Sensor from the back.

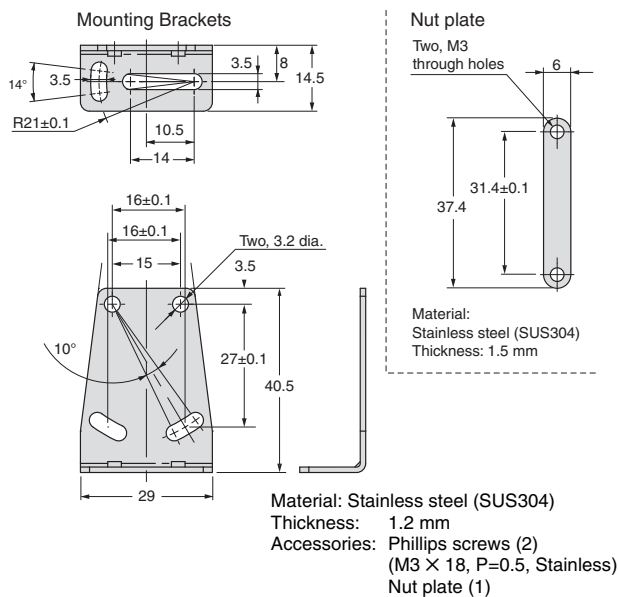
E39-L180



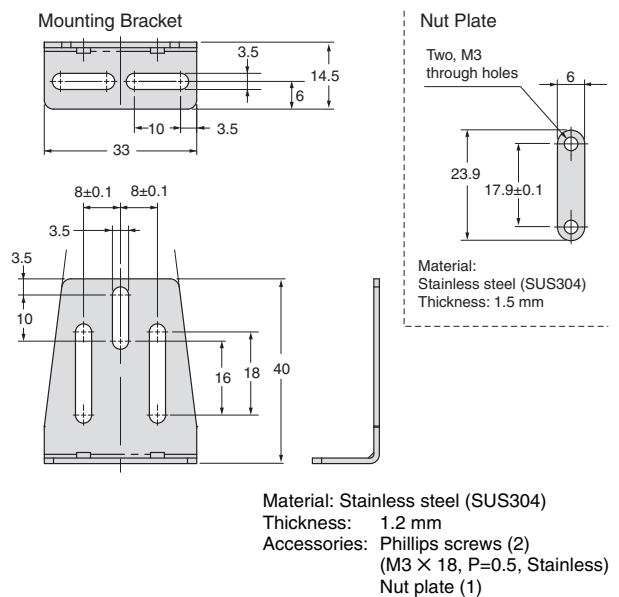
E39-L181



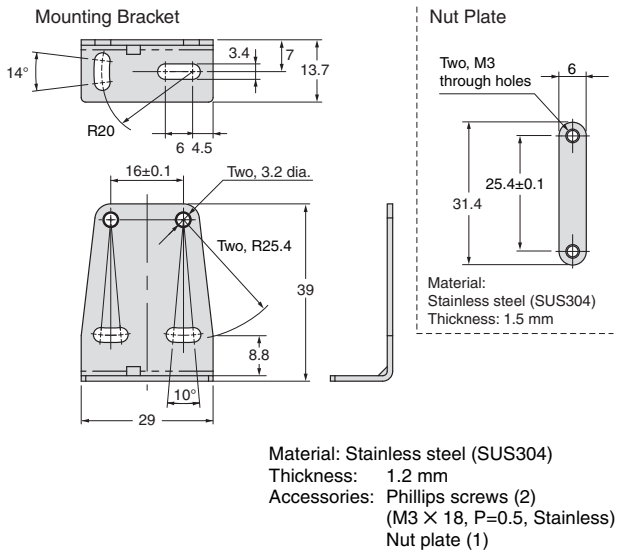
E39-L185



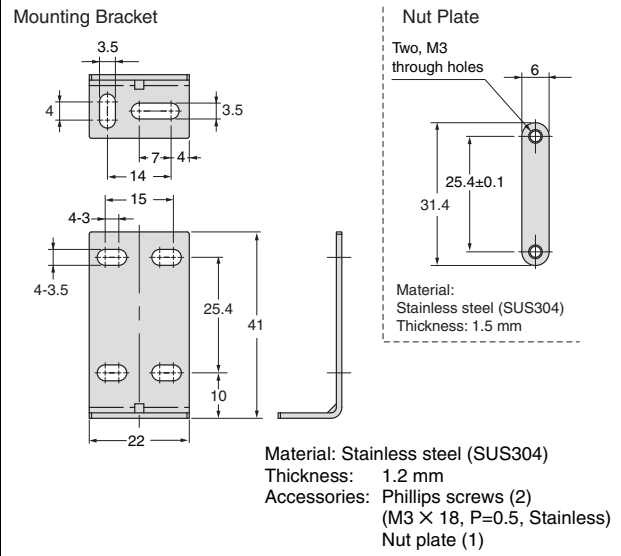
E39-L186



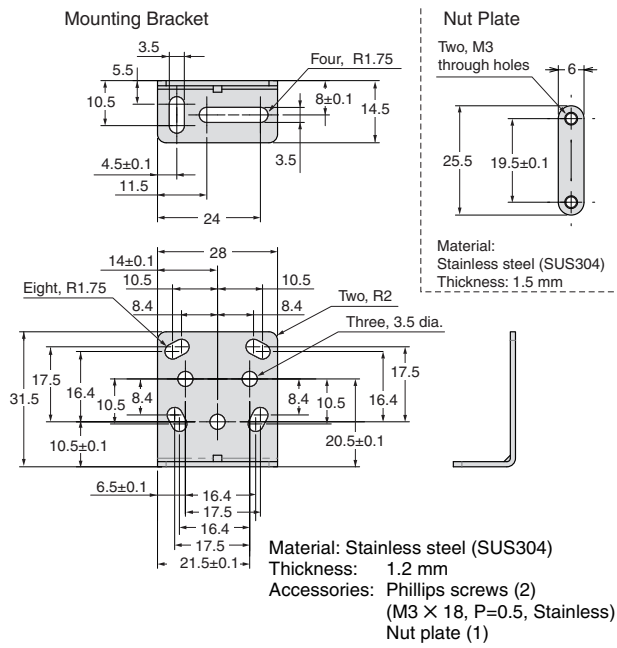
E39-L187



E39-L188



E39-L190

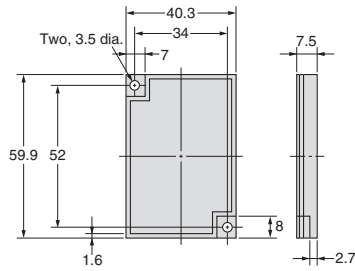


Reflector dimensions

E39-R1
E39-R1S
E39-R1K *

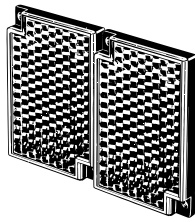


Material,
reflective surface: acrylic
Rear surface: ABS

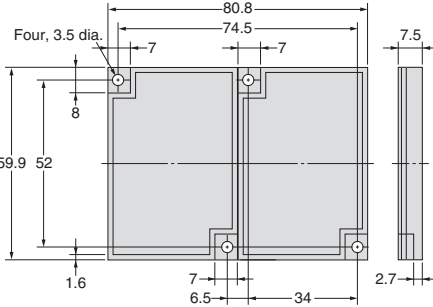


* E39-R1K only
Coating on reflective surface

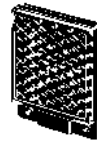
E39-R2



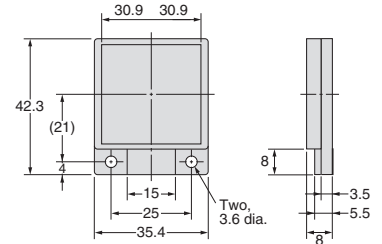
Material,
reflective surface: acrylic
Rear surface: ABS



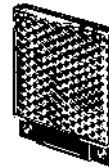
E39-R9



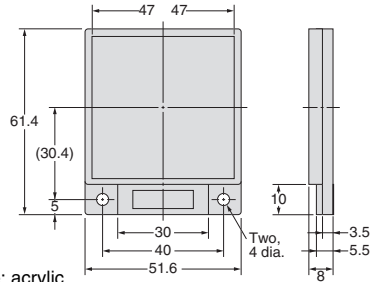
Material,
reflective surface: acrylic
Rear surface: ABS



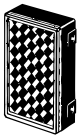
E39-R10



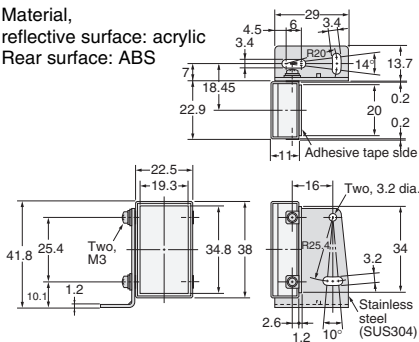
Material,
reflective surface: acrylic
Rear surface: ABS



E39-R3



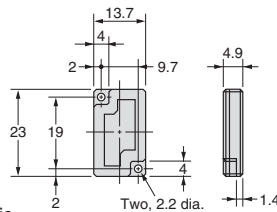
Material,
reflective surface: acrylic
Rear surface: ABS



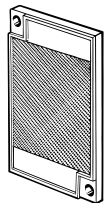
E39-R4



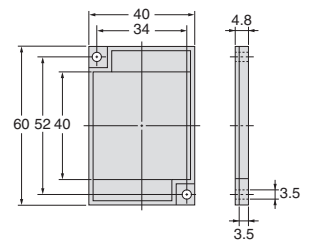
Material,
reflective surface: acrylic
Rear surface: ABS



E39-R6



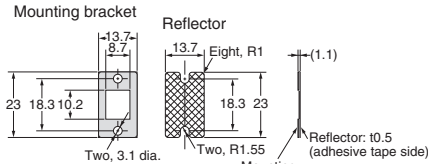
Material,
reflective surface: acrylic
Rear surface: ABS



E39-R37-CA



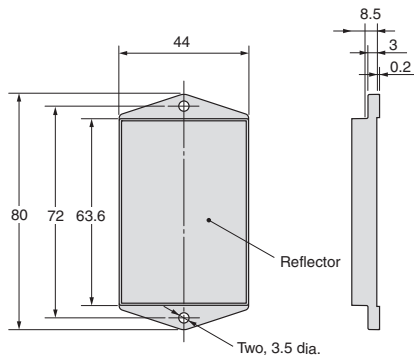
Material:
Mounting plate: stainless steel (SUS301)
Reflective surface: acrylic
Note: The reflective plate and mounting plate (1) come as a set.
Reflectors only for E3T-SR4□.



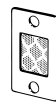
Retroreflector for E3ZM-B
E39-RP1



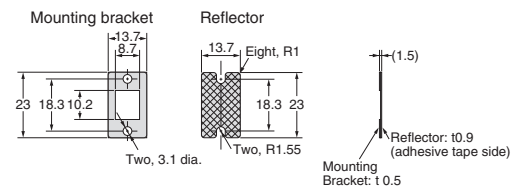
Material,
reflective surface:
acrylic
Rear surface: ABS



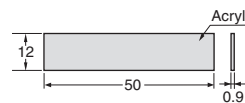
Retroreflector for E3ZM-B
E39-RP37



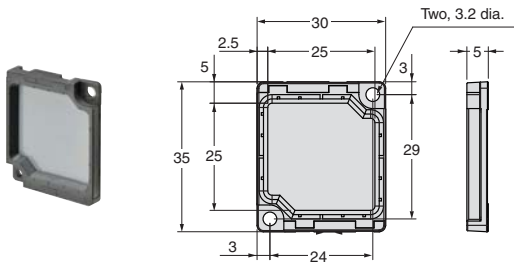
Material:
Reflective surface: acrylic
Mounting plate: stainless steel (SUS301)
Note: The reflective plate and mounting plate (1) come as a set.



Retroreflector for E3ZM-B
E39-RSP1

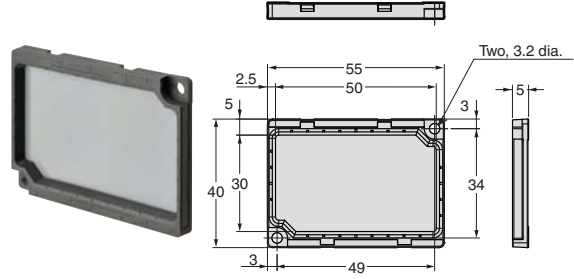


E39-R21 *3



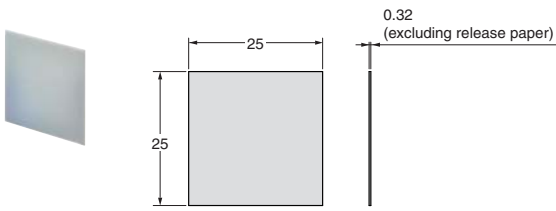
Material, reflective surface: methacrylic resin (PMMA)
Rear surface: Polybutylene terephthalate (PBT)

E39-R22 *3



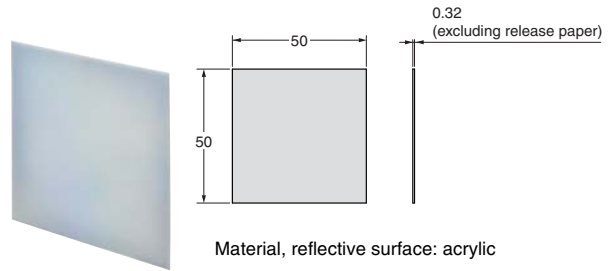
Material, reflective surface: methacrylic resin (PMMA)
Rear surface: Polybutylene terephthalate (PBT)

E39-RS10 *3



Material, reflective surface: acrylic

E39-RS11 *3



Material, reflective surface: acrylic

*3. Models only for E3NC-LH03

Terms and Conditions Agreement

Read and understand this catalog.

Please read and understand this catalog before purchasing the products. Please consult your OMRON representative if you have any questions or comments.

Warranties.

(a) Exclusive Warranty. Omron's exclusive warranty is that the Products will be free from defects in materials and workmanship for a period of twelve months from the date of sale by Omron (or such other period expressed in writing by Omron). Omron disclaims all other warranties, express or implied.

(b) Limitations. OMRON MAKES NO WARRANTY OR REPRESENTATION, EXPRESS OR IMPLIED, ABOUT NON-INFRINGEMENT, MERCHANTABILITY OR FITNESS FOR A PARTICULAR PURPOSE OF THE PRODUCTS. BUYER ACKNOWLEDGES THAT IT ALONE HAS DETERMINED THAT THE PRODUCTS WILL SUITABLY MEET THE REQUIREMENTS OF THEIR INTENDED USE.

Omron further disclaims all warranties and responsibility of any type for claims or expenses based on infringement by the Products or otherwise of any intellectual property right. (c) Buyer Remedy. Omron's sole obligation hereunder shall be, at Omron's election, to (i) replace (in the form originally shipped with Buyer responsible for labor charges for removal or replacement thereof) the non-complying Product, (ii) repair the non-complying Product, or (iii) repay or credit Buyer an amount equal to the purchase price of the non-complying Product; provided that in no event shall Omron be responsible for warranty, repair, indemnity or any other claims or expenses regarding the Products unless Omron's analysis confirms that the Products were properly handled, stored, installed and maintained and not subject to contamination, abuse, misuse or inappropriate modification. Return of any Products by Buyer must be approved in writing by Omron before shipment. Omron Companies shall not be liable for the suitability or unsuitability or the results from the use of Products in combination with any electrical or electronic components, circuits, system assemblies or any other materials or substances or environments. Any advice, recommendations or information given orally or in writing, are not to be construed as an amendment or addition to the above warranty.

See <http://www.omron.com/global/> or contact your Omron representative for published information.

Limitation on Liability; Etc.

OMRON COMPANIES SHALL NOT BE LIABLE FOR SPECIAL, INDIRECT, INCIDENTAL, OR CONSEQUENTIAL DAMAGES, LOSS OF PROFITS OR PRODUCTION OR COMMERCIAL LOSS IN ANY WAY CONNECTED WITH THE PRODUCTS, WHETHER SUCH CLAIM IS BASED IN CONTRACT, WARRANTY, NEGLIGENCE OR STRICT LIABILITY.

Further, in no event shall liability of Omron Companies exceed the individual price of the Product on which liability is asserted.

Suitability of Use.

Omron Companies shall not be responsible for conformity with any standards, codes or regulations which apply to the combination of the Product in the Buyer's application or use of the Product. At Buyer's request, Omron will provide applicable third party certification documents identifying ratings and limitations of use which apply to the Product. This information by itself is not sufficient for a complete determination of the suitability of the Product in combination with the end product, machine, system, or other application or use. Buyer shall be solely responsible for determining appropriateness of the particular Product with respect to Buyer's application, product or system. Buyer shall take application responsibility in all cases.

NEVER USE THE PRODUCT FOR AN APPLICATION INVOLVING SERIOUS RISK TO LIFE OR PROPERTY OR IN LARGE QUANTITIES WITHOUT ENSURING THAT THE SYSTEM AS A WHOLE HAS BEEN DESIGNED TO ADDRESS THE RISKS, AND THAT THE OMRON PRODUCT(S) IS PROPERLY RATED AND INSTALLED FOR THE INTENDED USE WITHIN THE OVERALL EQUIPMENT OR SYSTEM.

Programmable Products.

Omron Companies shall not be responsible for the user's programming of a programmable Product, or any consequence thereof.

Performance Data.

Data presented in Omron Company websites, catalogs and other materials is provided as a guide for the user in determining suitability and does not constitute a warranty. It may represent the result of Omron's test conditions, and the user must correlate it to actual application requirements. Actual performance is subject to the Omron's Warranty and Limitations of Liability.

Change in Specifications.

Product specifications and accessories may be changed at any time based on improvements and other reasons. It is our practice to change part numbers when published ratings or features are changed, or when significant construction changes are made. However, some specifications of the Product may be changed without any notice. When in doubt, special part numbers may be assigned to fix or establish key specifications for your application. Please consult with your Omron's representative at any time to confirm actual specifications of purchased Product.

Errors and Omissions.

Information presented by Omron Companies has been checked and is believed to be accurate; however, no responsibility is assumed for clerical, typographical or proofreading errors or omissions.

2015.4

In the interest of product improvement, specifications are subject to change without notice.

OMRON Corporation
Industrial Automation Company

<http://www.ia.omron.com/>

(c)Copyright OMRON Corporation 2015 All Right Reserved.