

E1 SERIES

ELECTRONIC PACKAGING PRODUCTS

DESCRIPTION CONSTRUCTION

Enclosures

- Break Resistant Thermoplastic
- Black Standard; other colors available.
Consult factory for a complete color listing

ORDERING CODE

PART NO.

E1BV2020
E1BV2020H
E1BV2525
C1BV2020
C1BV2525

DESCRIPTION

Enclosure (Fig. 1)
Enclosure with molded-in heat sink (Fig. 2)
Enclosure (Fig. 3)
Cover for E1BV2020 or E1BV2020H (Fig. 4) Consult factory for cover modifications
Cover for E1BV2525 (not shown) Consult factory



CUSTOM CONNECTOR

Fig. 1

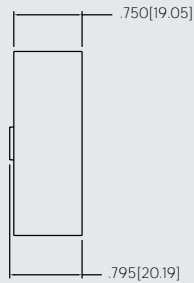
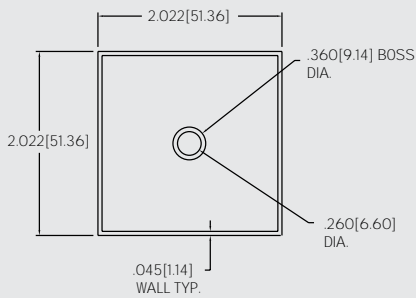


Fig. 2

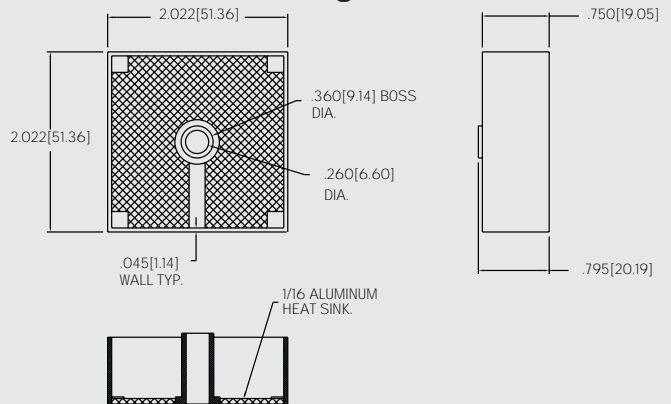


Fig. 3

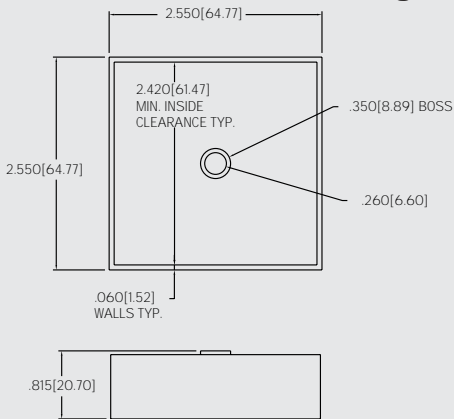


Fig. 4

