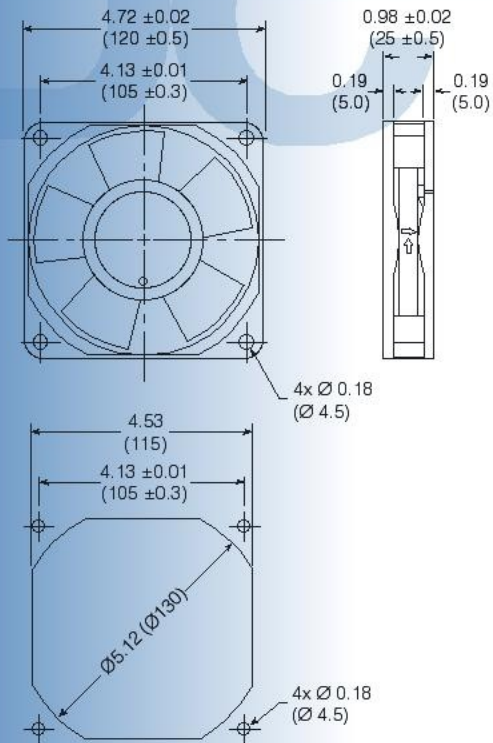


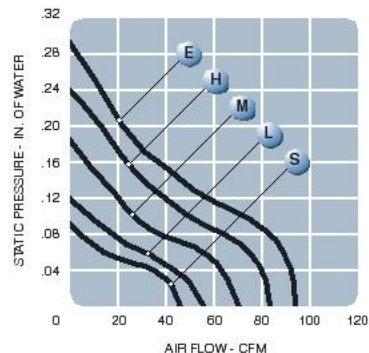
# E1225 Series

## HIGH BACK PRESSURE



**Size: (120 x 120 x 25 mm)  
4.72 x 4.72 x 0.98 inches**

- Designed for high back pressure applications
- Electronic locked rotor sensor, auto-restart, reverse polarity protection
- 5, 12, or 24 VDC
- Lead wires or terminal version; reinforced flanged frame; ball bearings
- Options include tachometer or locked rotor output signal, and thermistor control

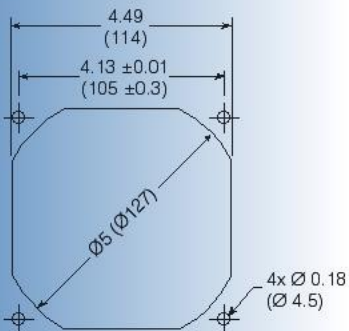
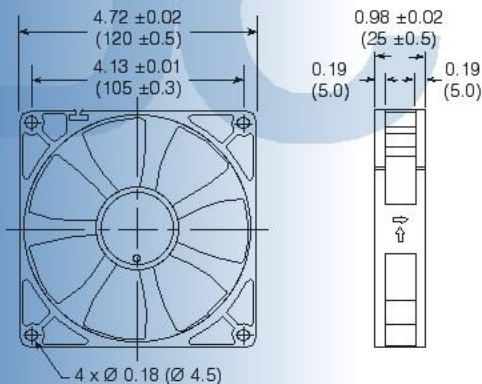


Model No.	Rated Voltage (V)	Current (mA)			Revolution (RPM)	Air Volume (CFM)	Maximum Static Pressure (in H <sub>2</sub> O)	Sound Noise (dBA)	Weight (oz)
		5	12	24					
E1225 S	5/12/24	220	100	85	1,400	44	0.09	28	6.28
E1225 L	5/12/24	340	142	95	1,800	55	0.12	32	6.28
E1225 M	5/12/24	600	245	160	2,200	67	0.18	36	6.28
E1225 H	12/24	—	385	240	2,600	82	0.24	40	6.28
E1225 E	12/24	—	580	340	3,000	93	0.28	44	6.28

\* Available with quick disconnect terminal block.

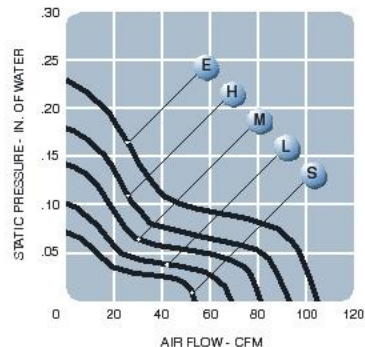
# G1225 Series

HIGH AIR FLOW



**Size: (120 x 120 x 25 mm)  
4.72 x 4.72 x 0.98 inches**

- High air flow 120mm model
- 5, 12, or 24 VDC
- Lead wires or terminal version; reinforced flanged frame; ball bearings
- Options include tachometer or locked rotor output signal, and thermistor control

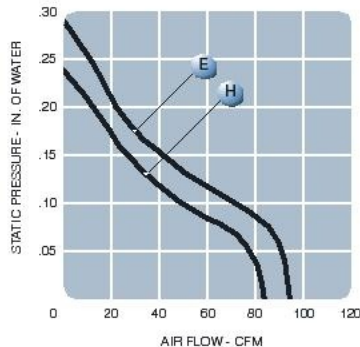


Model No.	Rated Voltage (V)	Current (mA)			Revolution (RPM)	Air Volume (CFM)	Maximum Static Pressure (in H <sub>2</sub> O)	Sound Noise (dBA)	Weight (oz)
		5	12	24					
G1225 <b>S</b>	5/12/24	400	130	70	1,500	55	0.07	25	6.28
G1225 <b>L</b>	5/12/24	620	230	120	1,800	68	0.10	29	6.28
G1225 <b>M</b>	12/24	-	350	190	2,100	81	0.14	33	6.28
G1225 <b>H</b>	12/24	-	480	270	2,400	93	0.18	37	6.28
G1225 <b>E</b>	24	-	-	380	2,700	105	0.23	41	6.28

\* Available with quick disconnect terminal block.

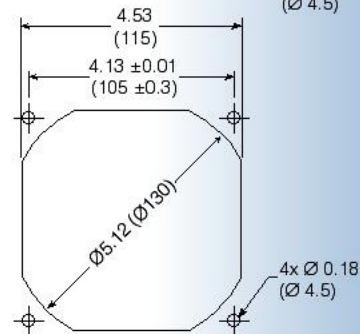
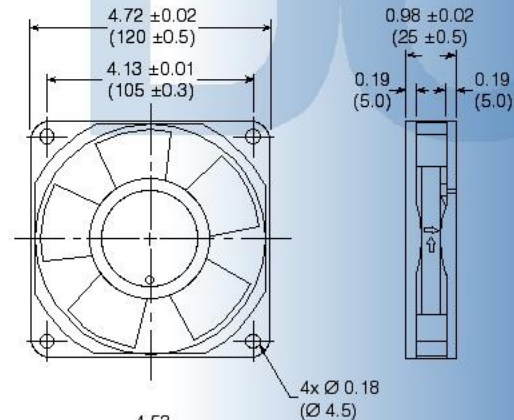
# A1225 Series

HIGH BACK PRESSURE



**Size: (120 x 120 x 25 mm)**  
**4.72 x 4.72 x 0.98 inches**

- 48 VDC version of the high back pressure E1225 design
- Robust components for high voltage, high electrical noise environment
- Lead wires or terminal version; reinforced flanged frame; ball bearings
- Optional tachometer output signal



Model No.	Rated Voltage (V)	Current (mA)	Revolution (RPM)	Air Volume (CFM)	Maximum Static Pressure (In H <sub>2</sub> O)	Sound Noise (dBA)	Weight (oz)
A1225 H	48	120	2,600	82	0.24	40	6.30
A1225 E	48	170	3,000	93	0.29	44	6.30

\* Available with quick disconnect terminal block.

# DC Part Numbering System

