

NOTES:

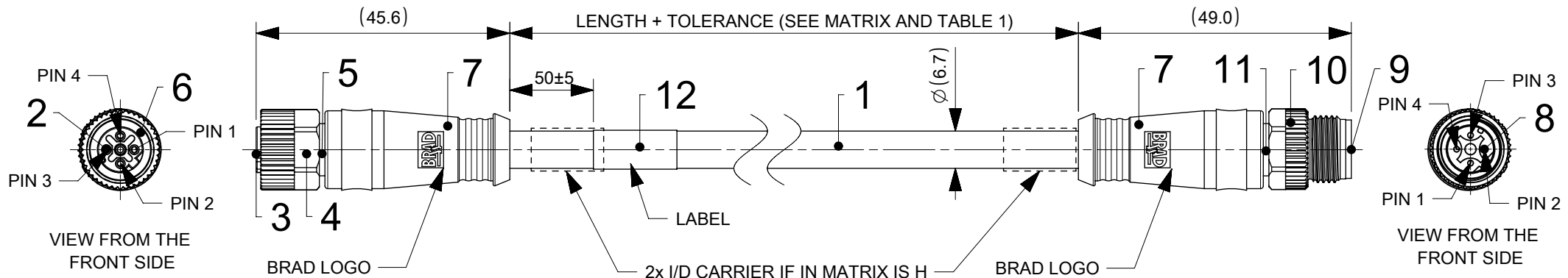
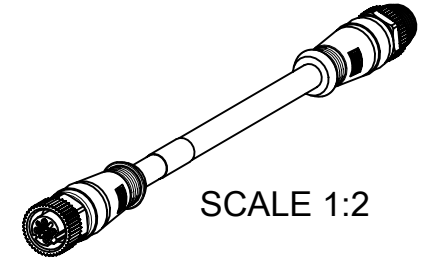
ELECTRICAL DATA:

VOLTAGE RATING: 250 V
 AMPERAGE RATING: 4 A
 INSULATION RESISTANCE: 10⁸ Ω MIN.
 MATING CYCLES: MIN. 100

ENVIRONMENTAL:

PROTECTION: IP 67
 OPERATING TEMPERATURE: -25°C TO +85°C

WIRING DIAGRAM



BILL OF MATERIAL

ITEM	QTY	DESCRIPTION	MATERIAL	FINISH
12	1	LABEL WH	-	-
11	1	SLEEVE MA	BRASS	Ni PLATED
10	1	LOCKING NUT MA	BRASS	Ni PLATED
9	1	INSERT MA 4P DCODE BK	PUR	-
8	4	TERMINAL MA	COPPER ALLOY	Au OVER Ni
7	-	MOLDING MATERIAL BK	TPU	-
6	1	GASKET ORING RD	FPM	-
5	1	SLEEVE FE	BRASS	Ni PLATED
4	1	LOCKING NUT FE	BRASS	Ni PLATED
3	1	INSERT FE 4P DCODE BK	PUR	-
2	4	TERMINAL FE	COPPER ALLOY	Au OVER Ni
1	-	CABLE 2x2x22AWG D6.7 GN	TPU-SPEC	-
ITEM	QTY	DESCRIPTION	MATERIAL	FINISH

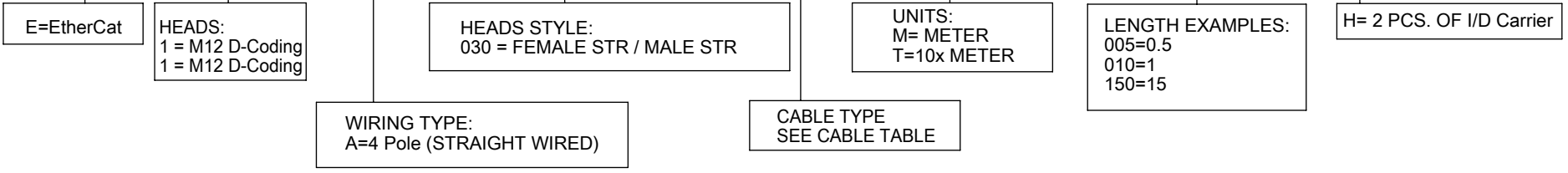
THIS DRAWING CONTAINS INFORMATION THAT IS PROPRIETARY TO MOLEX ELECTRONIC TECHNOLOGIES, LLC AND SHOULD NOT BE USED WITHOUT WRITTEN PERMISSION									
SYMBOLS		DIMENSION UNITS		SCALE		CURRENT REV DESC: NEW P/N ADDED			
▽ = 0		mm		1:1		<p>molex</p> <p>CSE M12 4P DCODE MA STR TPU FE STR XM</p> <p>PRODUCT CUSTOMER DRAWING</p> <p>DOCUMENT NUMBER: 1201088381</p> <p>DOC TYPE: PSD</p> <p>DOC PART: 000</p> <p>REVISION: A2</p> <p>SHEET NUMBER: 1 OF 2</p>			
∇ = 0		GENERAL TOLERANCES (UNLESS SPECIFIED)							
∇ = 0		ANGULAR TOL ± 1.0°							
∇ = 0		4 PLACES ±							
∇ = 0		3 PLACES ±							
∇ = 0		2 PLACES ± 0.05				EC NO: 681213			
∇ = 0		1 PLACE ± 0.3				DRWN: RSCHIEBER 2021/10/05			
∇ = 0		0 PLACES ± 0.5				CHK'D: RSILLER 2021/10/14			
☒ = 0		DRAFT WHERE APPLICABLE MUST REMAIN WITHIN DIMENSIONS				APPR: RSILLER 2021/10/14			
■ = 0		THIRD ANGLE PROJECTION				INITIAL REVISION:			
▽ = 0		DRAWING		SERIES		DRWN: DSTACHOWIAK 2017/01/24			
		A4-SIZE		120108		APPR: MIWASIECZKO 2017/01/25			

DOCUMENT STATUS	P1	RELEASE DATE	2021/10/14	06:13:10
-----------------	----	--------------	------------	----------

PART NO. MATRIX

E 1 1 A 0 3 0 1 2 M X X X X

OPTIONS



CABLE SPECIFICATION

CABLE TYPE	WIRE GAUGE	CABLE JACKET	UL	CSA	TEMPERATURE RANGE: STATIC	TEMPERATURE RANGE: DYNAMIC	DRAG CHAIN TESTED	SHIELD
12	0.34 mm ²	TPU BASED	STYLE 21215	YES	-40°C TO +80°C	-20°C TO +60°C	2 MIO CYCLES	YES

TABLE 1

MOLEX PN	ENGINEERING NO	LENGTH+TOLERANCE [mm]
1201088381	E11A03012M050	5000+60
1201088382	E11A03012M060	6000+80
1201088503	E11A03012M150	15000+140
1201088524	E11A03012M005	500+40
1201088580	E11A03012M100	10000+80
1201088772	E11A03012M020	2000+60
1201088798	E11A03012M010	1000+40

SYMBOLS	THIS DRAWING CONTAINS INFORMATION THAT IS PROPRIETARY TO MOLEX ELECTRONIC TECHNOLOGIES, LLC AND SHOULD NOT BE USED WITHOUT WRITTEN PERMISSION													
	DIMENSION UNITS	SCALE	CURRENT REV DESC: NEW P/N ADDED											
∇ = 0	mm	1:1	EC NO: 681213 DRWN: RSCHIEBER 2021/10/05 CHK'D: RSILLER 2021/10/14 APPR: RSILLER 2021/10/14									CSE M12 4P DCODE MA STR TPU FE STR XM		
∇ = 0	GENERAL TOLERANCES (UNLESS SPECIFIED)									INITIAL REVISION: DRWN: DSTACHOWIAK 2017/01/24 APPR: MIWASIECZKO 2017/01/25				
∇ = 0	ANGULAR TOL ± 1.0°		DRWN: DSTACHOWIAK 2017/01/24 APPR: MIWASIECZKO 2017/01/25											
∇ = 0	4 PLACES ±									DRWN: DSTACHOWIAK 2017/01/24 APPR: MIWASIECZKO 2017/01/25				
∇ = 0	3 PLACES ±		DRAFT WHERE APPLICABLE MUST REMAIN WITHIN DIMENSIONS											
∇ = 0	2 PLACES ± 0.05													
∇ = 0	1 PLACE ± 0.3		THIRD ANGLE PROJECTION											
∇ = 0	0 PLACES ± 0.5									DRAWING SERIES				
∇ = 0	DRAFT WHERE APPLICABLE MUST REMAIN WITHIN DIMENSIONS		MATERIAL NUMBER CUSTOMER SHEET NUMBER											
∇ = 0										DRAWING SERIES				
∇ = 0			MATERIAL NUMBER CUSTOMER SHEET NUMBER											

DOCUMENT STATUS	P1	RELEASE DATE	2021/10/14	06:13:10
-----------------	----	--------------	------------	----------