

THIS COPY IS PROVIDED ON A RESTRICTED BASIS AND IS NOT TO BE USED IN ANY WAY DETRIMENTAL TO THE INTERESTS OF PANDUIT CORP.

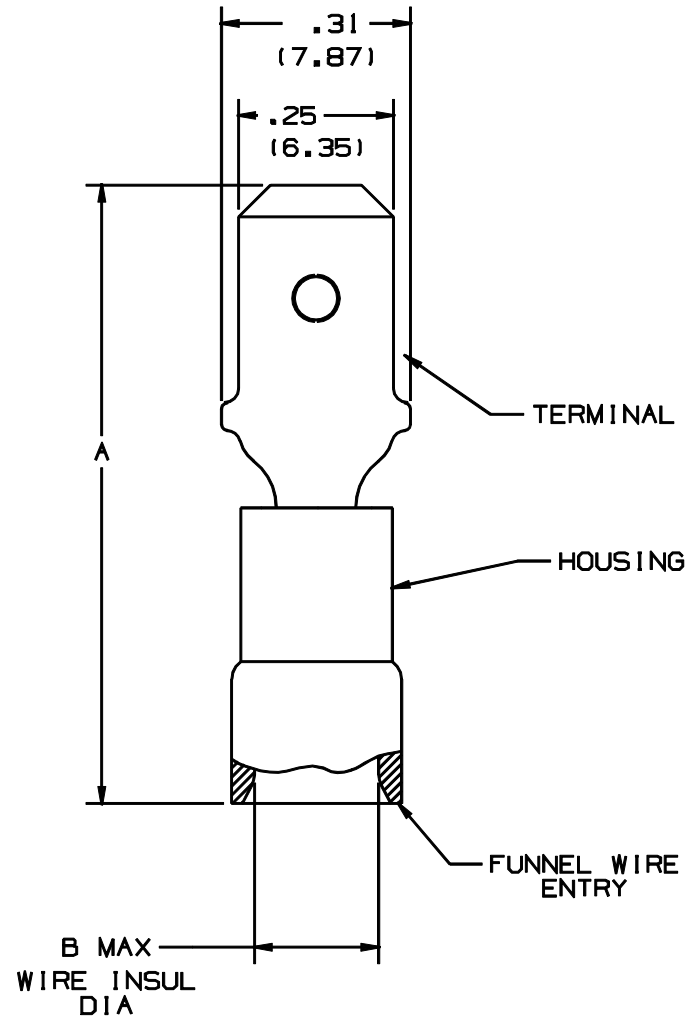
PANDUIT PART NUMBER	WIRE RANGE	COLOR CODE	DIMENSIONS in.	
			A $\pm .03$	B
DV18-250MB	22-18	RED	.98 (24.9)	.154 (3.91)
DV14-250MB	16-14	BLUE	.96 (24.3)	.180 (4.57)

NOTES :

- CSA CERTIFIED FOR :
  - 600 V MAX. VOLTAGE RATING
  - 221°F (105°C) MAX. TEMP. RATING
  - STRANDED COPPER WIRE ONLY
- MATERIAL :
  - STAMPING - .031" THK COPPER, NICKEL PLATED
  - HOUSING - VINYL
- DIMENSIONS IN BRACKETS ARE IN MILLIMETERS
- INSTALLATION TOOLS : CT-500, CT-550, CT-1551, CT-1550
- PACKAGE QTY. : -C=100  
-M=1000



CERTIFIED  
LR31212



A41405\_04

04	1/01	RM		FILESPEC WAS N41405AA_PCD_03					TINLEY PARK, ILLINOIS		
03		JD		ADDED CT-1551 & CT-1550 TOOLS	07634						
02	1/95	MS	LM	UPDATED NOTES AND DIMENSIONS	02947	DH	TFKE	2PC. VINYL INSULATED, .250 MALE TABS			
01	1/90	DL	LM	REVISED DWG. TO CURRENT DESIGN WITH LESS MAT'L IN TRANSITION AREA		DH	LM				
REV	DATE	BY	CHK	DESCRIPTION	ECN #	CUST	PM	DRAWN BY JP	CHK'D LM	SCALE NONE	DRAWING NO. A41405