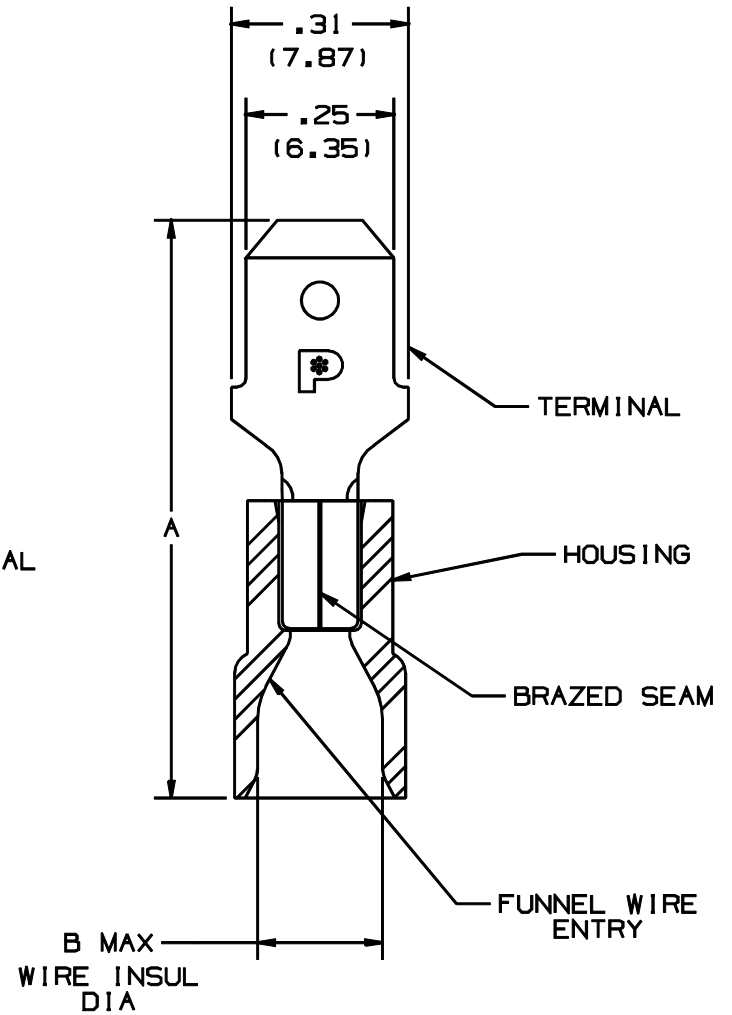


THIS COPY IS PROVIDED ON A RESTRICTED BASIS AND IS NOT TO BE USED IN ANY WAY DETRIMENTAL TO THE INTERESTS OF PANDUIT CORP.

PANDUIT PART NUMBER	WIRE RANGE	COLOR CODE	DIMENSIONS in.	
			A <sup>±.03</sup>	B
DV10-250M	12-10	YELLOW	0.98 (24.9)	.235 (5.97)

NOTES :

- USE FOR:
  - STRANDED COPPER WIRE ONLY
  - 194°F (90°C) MAX TEMP RATING OF INSULATION MATERIAL
  - 600V MAX VOLTAGE RATING
- MATERIAL :
  - STAMPING - .032" THK COPPER, NICKEL PLATED
  - HOUSING - VINYL
- DIMENSIONS IN BRACKETS ARE IN MILLIMETERS
- INSTALLATION TOOLS : CT-100, CT-260, CT-550
- PKG QTY. -L=50  
-D=500
- WIRE STRIP LENGTH: 9/32 <sup>+1/32</sup><sub>.0</sub> (7.1 <sup>±.8</sup><sub>.0</sub>)



A41195\_04

04	1/01	KMD		CAD FILE SPEC. WAS N41195AA_PCD_03				<b>PANDUIT</b> CORP. TINLEY PARK, ILLINOIS			
03	10/98	JD		MATERIAL WAS TIN PLATED	07642						
02	6/95	MS	LM	UPDATED NOTES AND DIMENSIONS	03404	LA	DH	2PC. VINYL INSULATED, 12-10, 250 X .032 MALE TAB			
01	10/89	JP	LM	REMOVED D18/14 PARTS AND PUT ON A NEW DRWG. DUE TO A STAMPING CHANGE.		LA	DH				
REV	DATE	BY	CHK	DESCRIPTION	ECN#	CUST	END	DRAWN BY FES	CHK'D	SCALE NONE	DRAWING NO. A41195