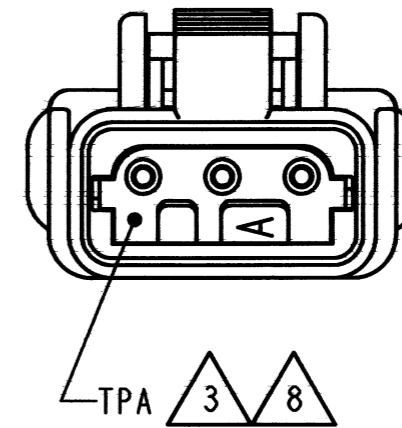
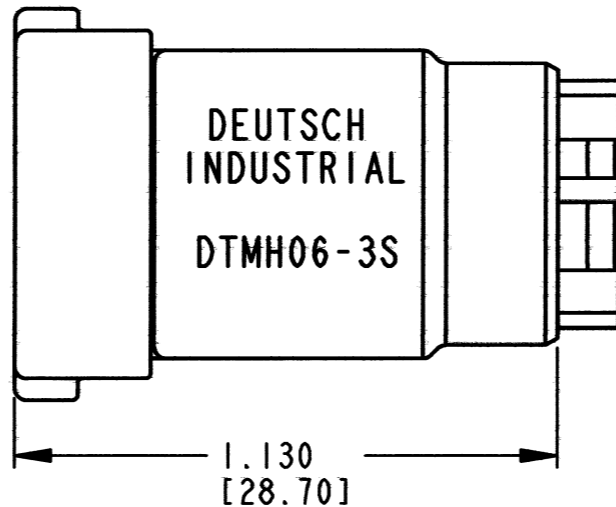
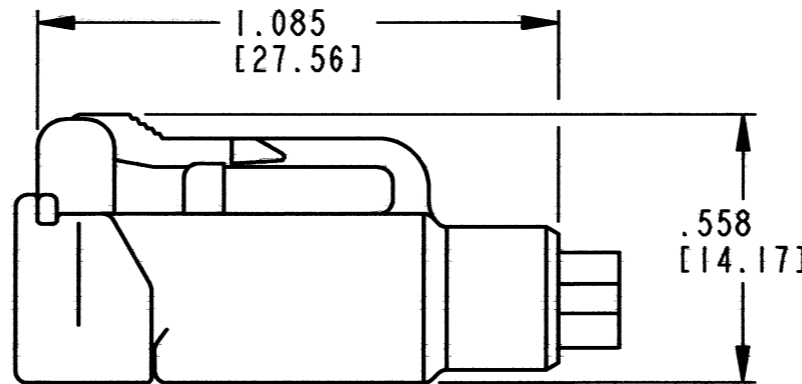
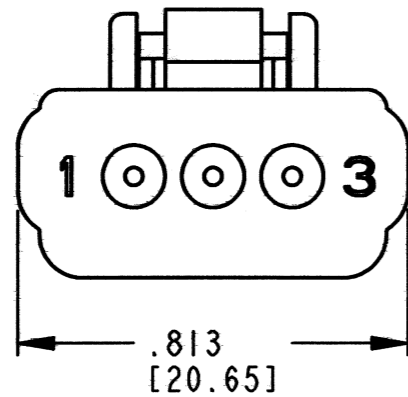


3D VIEW



- △ 8 SEE SHEET 2 FOR OTHER KEY ARRANGEMENTS.
- 7. PLUG IS RATED AT 150°C.
- 6. MATERIAL - HOUSING: PLASTIC, GROMMET: RUBBER.
- 5. THIS PLUG MATES WITH DTMH04-3P*-**** AND DTM04-3P*-**** RECEPTACLE. (* = A,B,C,D KEYS; **** = ALL MODIFICATIONS)
- △ 4 FOR CONTACT AND WIRE PERFORMANCE AND APPLICATION CHARACTERISTICS SEE ENVELOPE DRAWING 0425-015-0000.
- △ 3 TERMINAL POSITION ASSURANCE (TPA) LOCK PRE-MOUNTED: WMH-3S*. (* = A,B,C,D KEYS)
- 2. ALL DIMENSIONS ARE ±.025 [0.64].
- 1. ALL DIMENSIONS ARE IN INCHES [mm].

NOTES: UNLESS OTHERWISE SPECIFIED

REV
A
DTMH06-3S*-E003


REVISIONS			
SYM	DESCRIPTION	DATE	APPROVED
NC	NEW RELEASE PER E.O. P20524	7/21/10	R.D.R.
A	REVISED PER E.O. P21365	5-29-12	RDR

CONTACT SIZE	MIN. INSUL. O.D.	MAX. INSUL. O.D.	WIRE RANGE [mm ²] REF ONLY △ 4
20	.053 [1.35]	.120 [3.05]	16-20 AWG [1.0-0.5]

SIGNATURE & DATE	
DR	A. MALAGON 21 JUN 10
CHK	B. Buford 5/24/2012
PE	R. Mulligan 5-14-12
APPD	S. Reed 5/23/12
SCALE	NONE WT

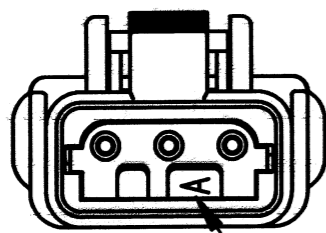
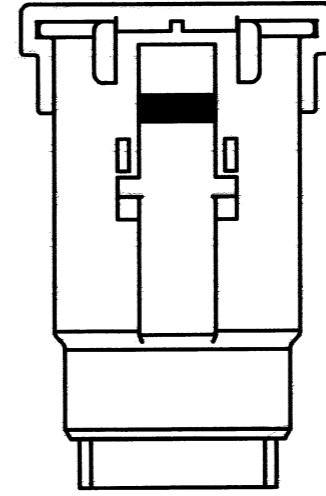
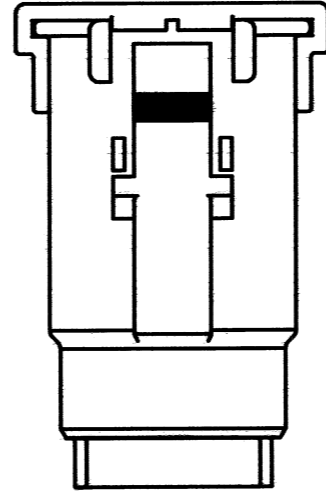
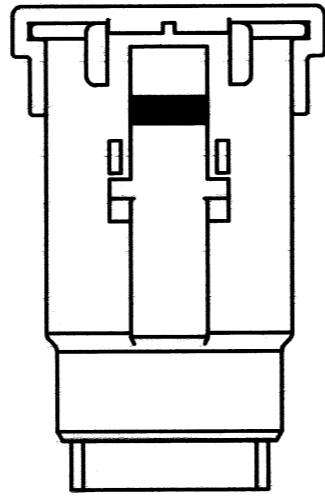
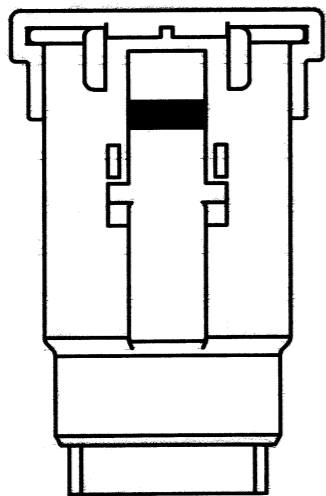
PLUG W/ END CAP
3 PIN CONTACT
SIZE 20
COLOR: BLACK
DTMH SERIES

ENVELOPE

EP 180	MATL. CODE
 3850 INDUSTRIAL AVE. HEMET, CA 92545 DEUTSCH INDUSTRIAL	
B DTMH06-3S*-E003	
DWG SIZE	CODE 11139 SHEET 1 OF 2

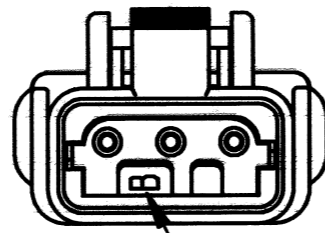
REV
A DTMH06-3S*-E003

REVISIONS			
SYM	DESCRIPTION	DATE	APPROVED
A	SEE SHEET 1	5-29-12	RDR



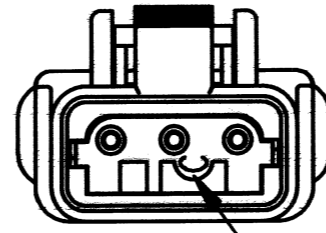
KEYWAY

DTMH06-3SA-E003
-A- KEY
TPA COLOR: GREY



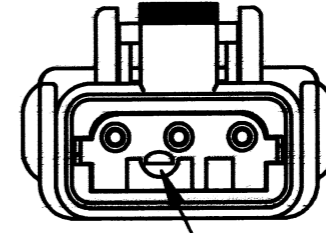
KEYWAY

DTMH06-3SB-E003
-B- KEY
TPA COLOR: BLACK



KEYWAY

DTMH06-3SC-E003
-C- KEY
TPA COLOR: GREEN



KEYWAY

DTMH06-3SD-E003
-D- KEY
TPA COLOR: BROWN




NOTES:

SIGNATURE & DATE	
DR	A. MALAGON 21 JUN 10
CHK	B. B... 5/21/2012
PE	R. Malagon 5-14-12
APPD	S. Beunif 5/23/12
SCALE	NONE WT

PLUG W/ END CAP
3 PIN CONTACT
SIZE 20
COLOR: BLACK
DTMH SERIES

ENVELOPE

EP 180	NATL. CODE
 3850 INDUSTRIAL AVE. HEMET, CA 92545 DEUTSCH INDUSTRIAL	
B	DTMH06-3S*-E003
DWG SIZE	CODE 11139 SHEET 2 OF 2