

MICRO SWITCH
a Honeywell Division

SWITCH — ENCLOSED

CATALOG LISTING
DTF2-2RN2-RH

FED. MFG. CODE 91929

CATALOG LISTING
DTF2-2RN2-RH

ISSUE
M
14

REVISIONS
A C073751
MAM
22 OCT 92
B CO-
77179-C
JJO
12 MAR 94
C C081513B
J A K
11 MAR 97

REPLACES

RELEASE NO.

CHECK

CHECK

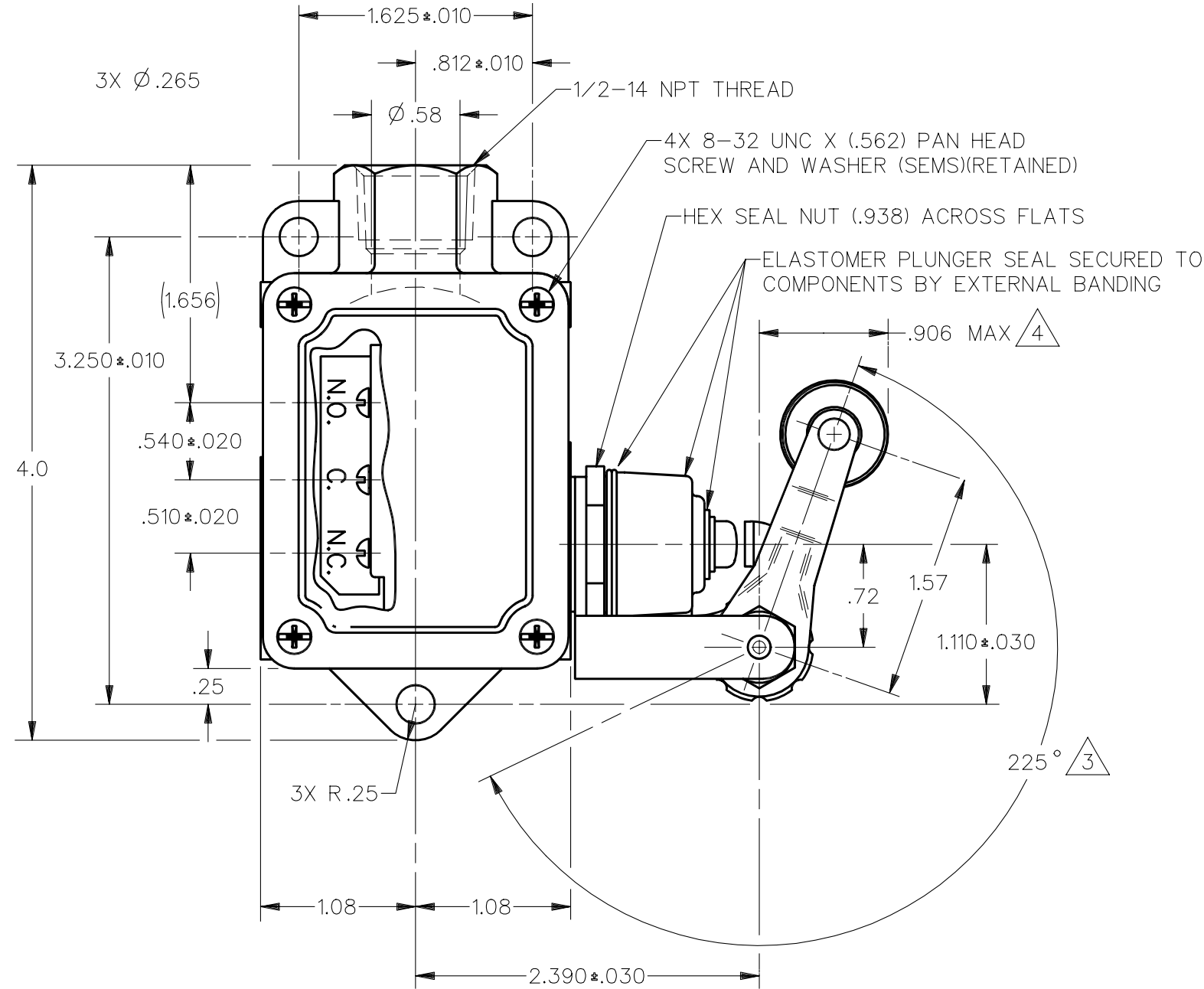
22OCT92

WLS

CHECK

22OCT92

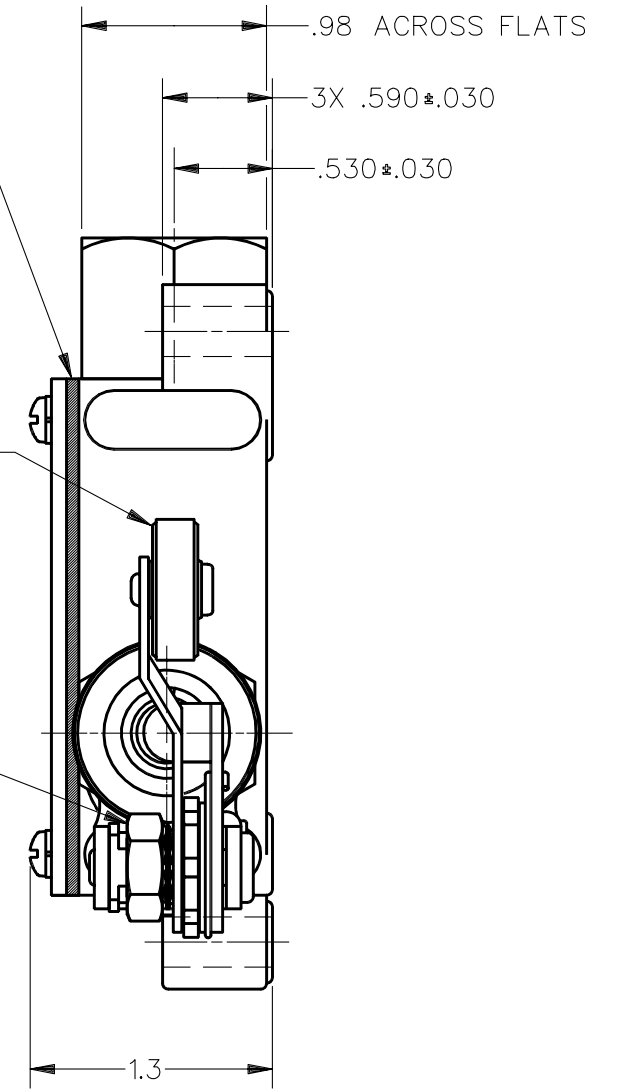
DDM/CAD
DRAWN



GASKET TYPE SEAL BETWEEN COVER AND HOUSING

ϕ .750 \pm .030 X .250 \pm .030 WIDE HARDENED STEEL ROLLER

LIGHT HEX NUT (.500) ACROSS FLATS



THIS DRAWING COVERS A PROPRIETARY ITEM AND IS THE PROPERTY OF MICRO SWITCH, A DIVISION OF HONEYWELL. THIS DRAWING IS NOT TO BE COPIED OR USED WITHOUT THE APPROVAL OF MICRO SWITCH

CHARACTERISTICS

OPERATING FORCE	2 1/2 LBS MAX
RELEASE FORCE	2 OZ MIN
PRETRAVEL	.312 MAX
DIFFERENTIAL TRAVEL	.120 MAX
OVERTRAVEL	.219 MIN
BASIC SWITCH REPLACEMENT	
	DT-2R-A7

ELECTRICAL DATA

CONTACT ARRANGEMENT	
D P D T	
L59	10A 125 OR <u>250</u> VAC
	0.3A 125 VDC, 0.15A 250 VDC

THIRD ANGLE PROJECTION

SCALE FULL

DO NOT SCALE PRINT

UNLESS OTHERWISE SPECIFIED TOLERANCES ARE

ONE PLACE	(.0)	\pm .030
TWO PLACE	(.00)	\pm .015
THREE PLACE	(.000)	\pm .005
ANGLES		\pm
WEIGHT	.670	LB

NOTES

- 1 - ROLLER LEVER BRACKET ASSEMBLY MAY BE SET IN ANY POSITION AROUND AXIS OF PLUNGER
- 2 - 4-40 UNC X (.125) ROUND HEAD TERMINAL SCREWS AND LOCKWASHERS
- \triangle 3 ROLLER LEVER MAY BE POSITIVELY LOCKED AT INTERVALS OF 0.2° WITHIN A RANGE OF 225° (1238 POSITIONS)
- \triangle 4 ROLLER LEVER IS SHOWN IN ITS FREE POSITION AT ONE EXTREME OF ITS ADJUSTABLE RANGE

ANSI Y14.5M-1982 APPLIES

