

MICRO SWITCH
a Honeywell Division

SWITCH — ENCLOSED

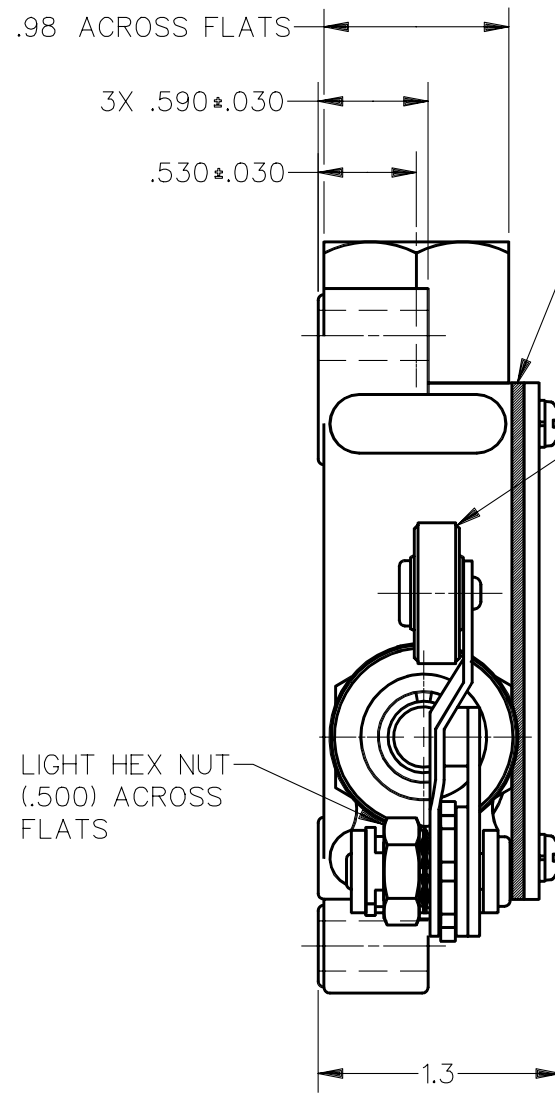
CATALOG LISTING
DTF2-2RN2-LH

FED. MFG. CODE 91929

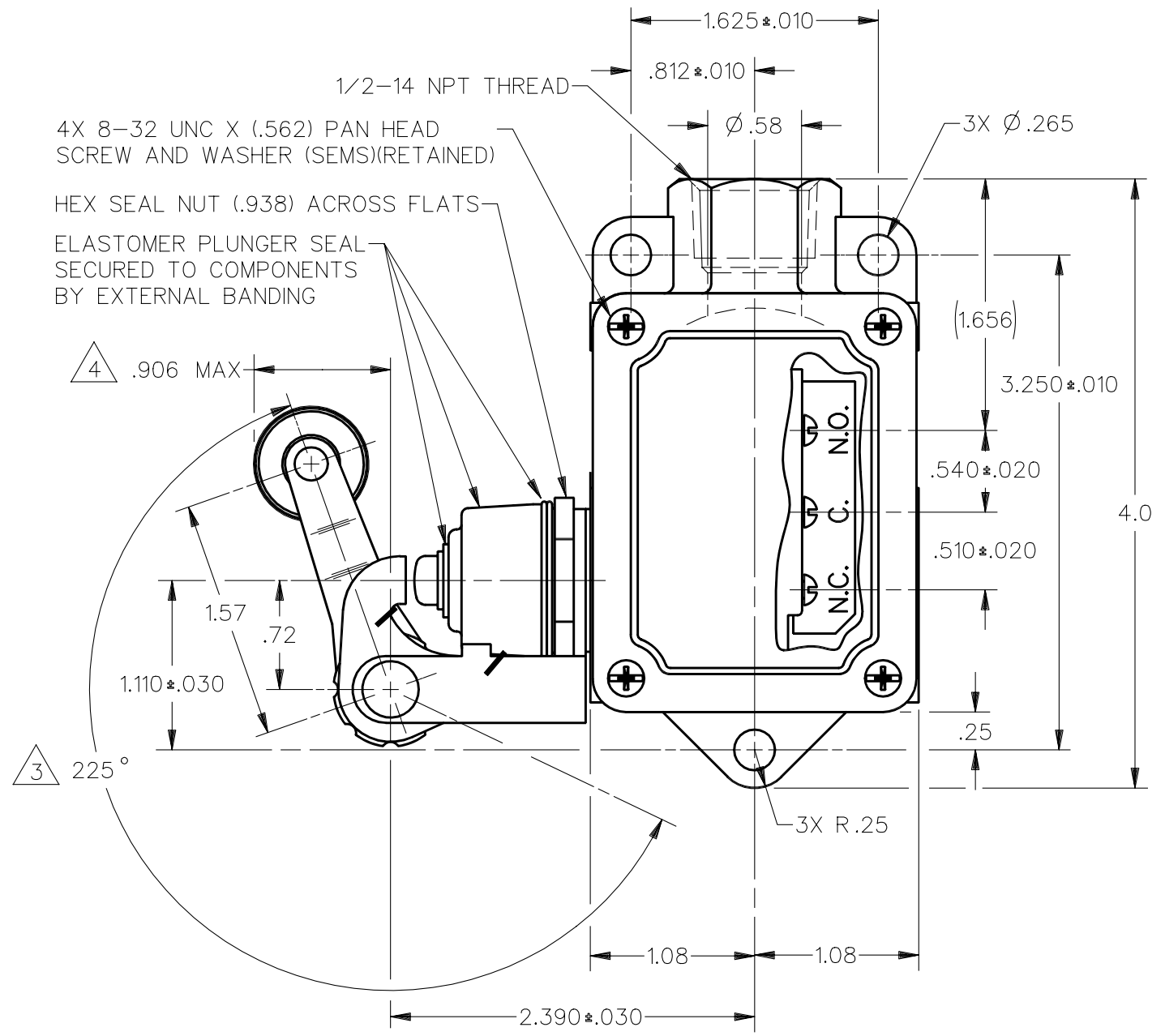
CATALOG LISTING
DTF2-2RN2-LH
PAGE 1 OF 1
REPLACES
RELEASE NO.
CHECK
M
ISSUE
14

REVISIONS
A C073751
MAM
21 OCT 92
CO-
B 77179-C
JJO
12 MAR 94
C C081513B
J A K
10 MAR 97

DDM/CAD
DRAWN
MAM 21OCT92
CHECK
WLS 22OCT92
CHECK



GASKET TYPE SEAL BETWEEN COVER AND HOUSING
HEX SEAL NUT (.938) ACROSS FLATS
ELASTOMER PLUNGER SEAL SECURED TO COMPONENTS BY EXTERNAL BANDING
Ø .750±.030 X .250±.030 WIDE HARDENED STEEL ROLLER



THIS DRAWING COVERS A PROPRIETARY ITEM AND IS THE PROPERTY OF MICRO SWITCH, A DIVISION OF HONEYWELL. THIS DRAWING IS NOT TO BE COPIED OR USED WITHOUT THE APPROVAL OF MICRO SWITCH

THIRD ANGLE PROJECTION

CHARACTERISTICS	ELECTRICAL DATA
OPERATING FORCE ——— 2 1/2 LBS MAX	CONTACT ARRANGEMENT D P D T
RELEASE FORCE ——— 2 OZ MIN	L59 10A 125 OR 250 VAC 0.3A 125 VDC, 0.15A 250 VDC
PRETRAVEL ——— .312 MAX	
DIFFERENTIAL TRAVEL ——— .120 MAX	
OVERTRAVEL ——— .219 MIN	
BASIC SWITCH REPLACEMENT ———	
————— DT-2R-A7	

SCALE	FULL
DO NOT SCALE PRINT	
UNLESS OTHERWISE SPECIFIED TOLERANCES ARE	
ONE PLACE	(.0) ±.030
TWO PLACE	(.00) ±.015
THREE PLACE	(.000) ±.005
ANGLES	±
WEIGHT	.670 LB



- NOTES
- 1 — ROLLER LEVER BRACKET ASSEMBLY MAY BE SET IN ANY POSITION AROUND AXIS OF PLUNGER
 - 2 — 4-40 UNC X (.125) ROUND HEAD TERMINAL SCREWS AND LOCKWASHERS
 - 3 ROLLER LEVER MAY BE POSITIVELY LOCKED AT INTERVALS OF 0.2° WITHIN A RANGE OF 225° (1238 POSITIONS)
 - 4 ROLLER LEVER IS SHOWN IN ITS FREE POSITION AT ONE EXTREME OF ITS ADJUSTABLE RANGE

ANSI Y14.5M-1982 APPLIES