

CATALOG LISTING  
**DTE6-2RN2**

ISSUE  
**10**  
PAGE 1 OF 1

REPLACES  
RELEASE NO. SR-7735

CHECK

REVISIONS	
A	CO-73751 S A V 8 OCT 92
B	CO-73655 T S M 21 APR 93
C	CO-77179B K D R 21 FEB 94
D	CO81513B J A K 5 MAR 97

CHECK

CHECK

CHECK

CHECK

CHECK

CHECK

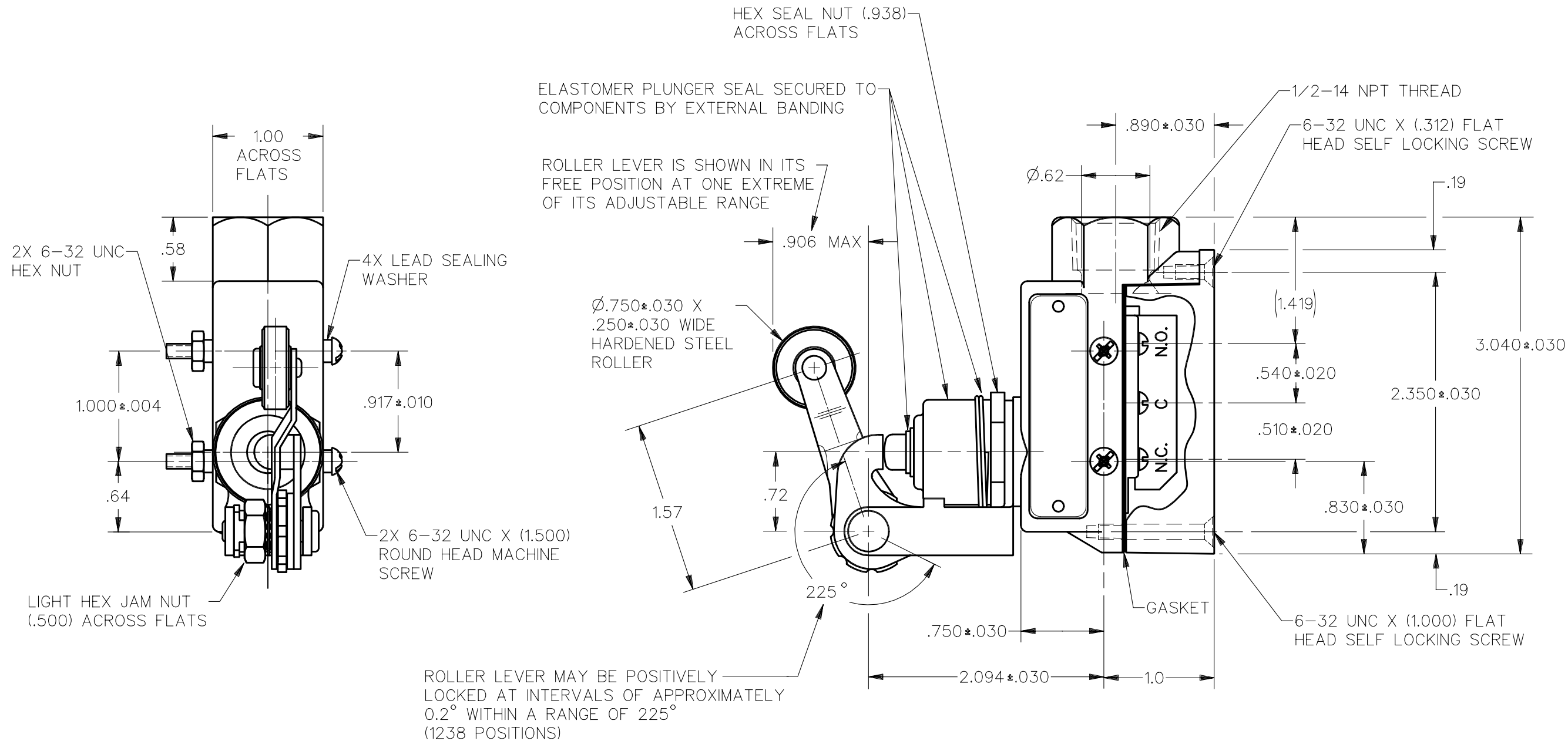
CHECK

CHECK

CHECK

DRAWN

SAV 8 OCT 92



NOTES

- 1 - 6X 4-40 UNC X (.125) TERMINAL SCREW AND LOCKWASHER
- 2 - ROLLER LEVER BRACKET ASSEMBLY MAY BE SET AT ANY POSITION AROUND AXIS OF PLUNGER

THIS DRAWING COVERS A PROPRIETARY ITEM AND IS THE PROPERTY OF MICRO SWITCH, A DIVISION OF HONEYWELL. THIS DRAWING IS NOT TO BE COPIED OR USED WITHOUT THE APPROVAL OF MICRO SWITCH		THIRD ANGLE PROJECTION
<b>CHARACTERISTICS</b>	<b>ELECTRICAL DATA</b>	SCALE FULL
PRETRAVEL ————— .266 MAX	CONTACT ARRANGEMENT	DO NOT SCALE PRINT
DIFFERENTIAL TRAVEL ——— .165 MAX	D P D T	<b>UNLESS OTHERWISE SPECIFIED TOLERANCES ARE</b>
OVERTRAVEL ————— .219 MIN	L59 10A 125 OR 250 VAC	ONE PLACE (.0) ±.030
BASIC SWITCH REPLACEMENT ——— DT-2R-A7	0.3A 125 VDC, 0.15A 250 VDC	TWO PLACE (.00) ±.015
		THREE PLACE (.000) ±.005
		ANGLES ±
		WEIGHT .71 LB



ANSI Y14.5M-1982 APPLIES