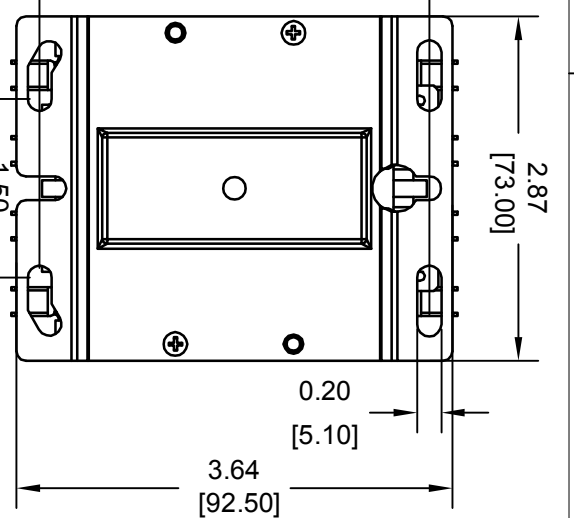
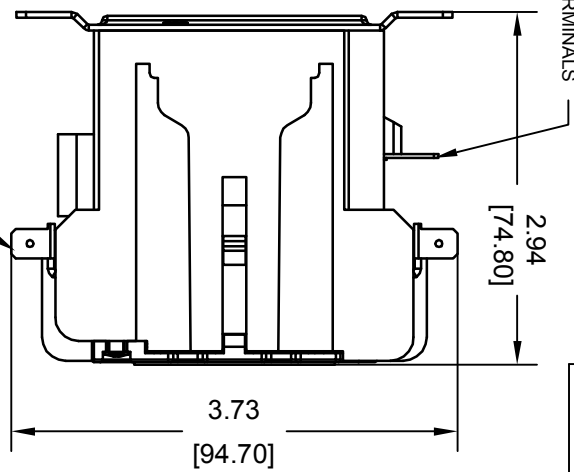
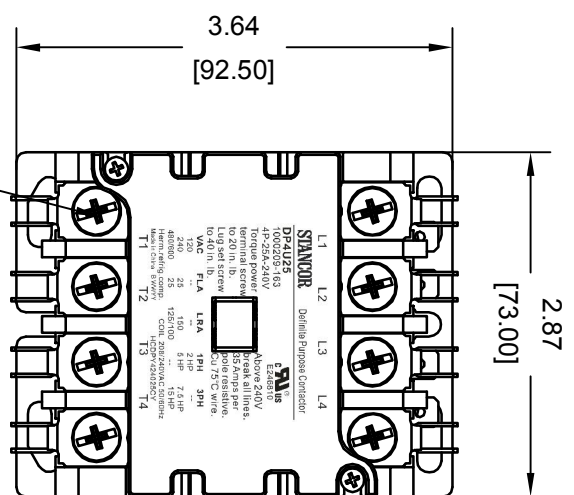


POLES	COIL VAC	FLA	RES	TERMINATION	COVER	INDIVIDUAL BOX
4	208/240VAC 50/60Hz	25	35	#10-32 Binding Head Screws 2 Quick Connect Power Termination	YES	YES

COIL DATA
COIL 208/240VAC 50/60HZ 480 OHM 180 VAC OPERATE 38.4+163 VAC DROP/OUT 104.5 VA INRUSH 21 VA SEAL MAX VOLTAGE 284 VAC

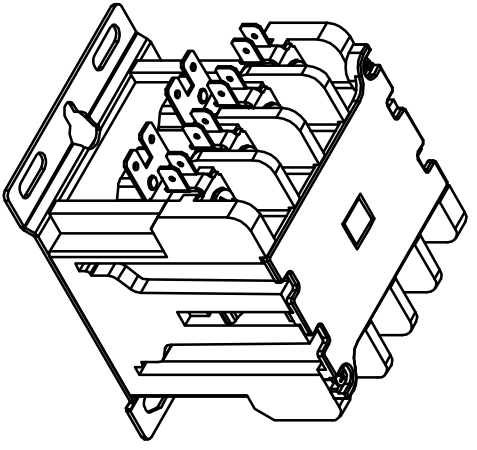
NOTES: UNLESS OTHERWISE SPECIFIED

4XCOIL QUICK CONNECT TERMINALS



#10-32 BINDING HEAD SCREWS (8 PCS)

2x 250x032 MALE QUICK CONNECT (8 PCS)



L1	L2	L3	L4
STANCOR Definite Purpose Contactor			
DP4U25 1000209-163			
4P-25A-240V			
Torque power terminal screw to 20 in. lb.			
Lug set screw to 40 in. lb.			
VAC	FLA	LRA	1PH 3PH
25	25	150	2HP 7.5HP
480/600	25	125/100	15HP
Herm. rfdg comp. COIL 208/240VAC 50/60HZ			
HCDPY424025CY			
Made in China B W W V V Y			
T1	T2	T3	T4

Product Label

STANCOR Definite Purpose Contactor	
Enclosure:	OPEN
Power Poles:	4
Amp Rating:	FLA 25 RES 35
Coil Voltage:	208/240VAC 50/60Hz
DP4U25	HCDPY424025CY
1000209-163	B W W V V Y
4P-25A-240V	Made in China

Individual Box Label

DP4U25	1000209-163	2.17 [55.00]	1.89 [48.00]
4P-25A-240V	HCDPY424025CY		
QTY.: 24PCS			

Master Carton Label

TOLERANCE	
INCHES (mm)	
X	+0.06 [-1.50]
X.X	+0.02 [-1.50]
X.XX	+0.006 [-1.50]
X.XXX	+0.002 [-1.50]
ANGLES	±1°

REV	DESCRIPTION	EGN	DMN	APPD	DATE

DESC. 4P-25A-240V

PART NO. DP4U25

STANCOR 2425 South 21st Street
Phoenix, AZ 85034
www.stancor.com (602)275-3800

DRAWN BY: _____ DRAWN DATE: _____ CHECKED BY: _____ CHECKED DATE: _____

PAGE 1 OF 1