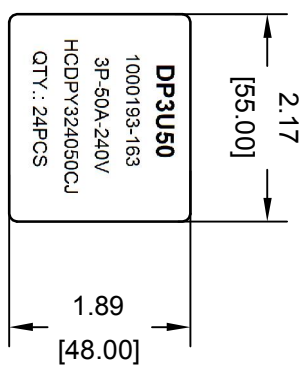
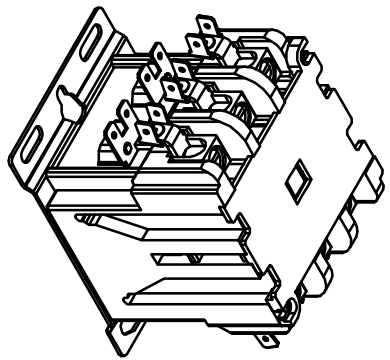
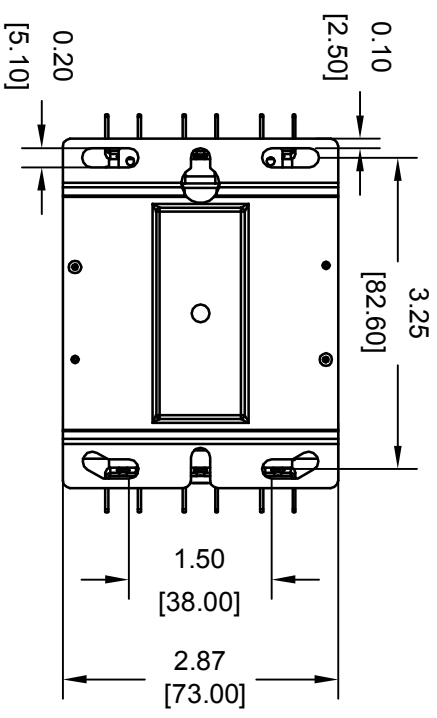


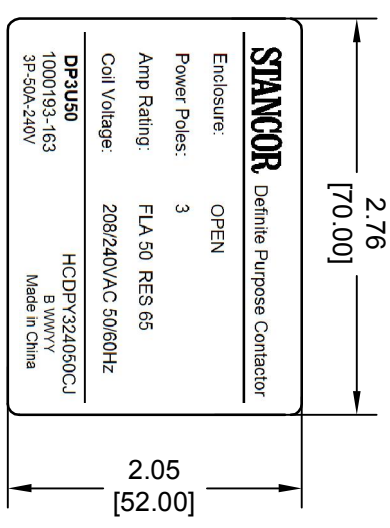
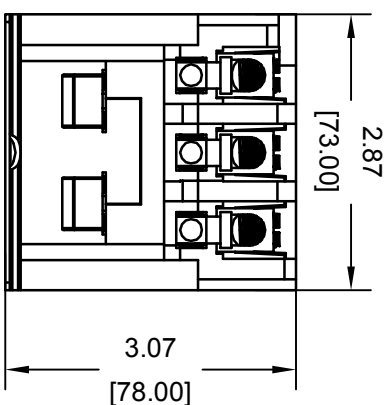
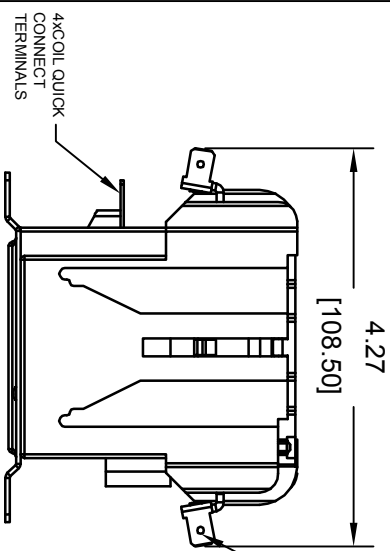
POLES	COIL VAC	FLA	RES	TERMINATION	COVER	INDIVIDUAL BOX
3	208/240VAC 50/60Hz	50	65	#14.2 COMPRESSION TERMINALS 2 Quick Connect Power Termination	YES	YES

COIL DATA
COIL 208/240VAC 50/60Hz 480 OHM 180 VAC OPERATE 38.4-163 VAC DROPOUT 104.5 VA INRUSH 21 VA SEAL MAX VOLTAGE 284 VAC

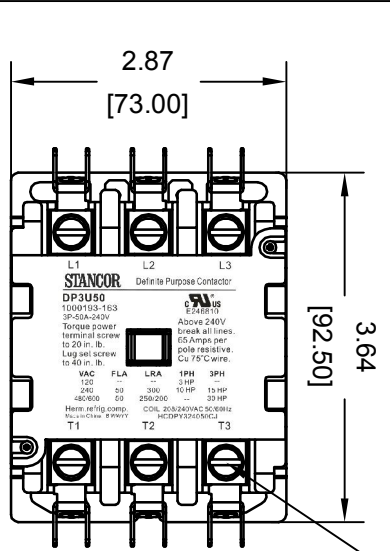
**NOTES: UNLESS OTHERWISE SPECIFIED**



Master Carton Label



Individual Box Label



**STANCOR** DP3U50 Definite Purpose Contactor

1000193-163  
3P-50A-240V  
Torque power terminal screw to 20 in. lb. Lug set screw to 40 in. lb.

**UL** E248810  
Above 240V break all lines. 65 Amps per pole resistive. CU/75°C wire.

VAC	FLA	LRA	1PH	3PH
120	50	300	3 HP	15 HP
240	50	250/200	3 HP	30 HP
480/600	50	250/200	3 HP	30 HP

Herm rating comp. COIL 208/240VAC 50/60Hz  
Herm rating comp. COIL 208/240VAC 50/60Hz  
Herm rating comp. COIL 208/240VAC 50/60Hz

L1 L2 L3  
T1 T2 T3

Product Label

REV	DESCRIPTION	ESN	DOWN	APPD	DATE

**STANCOR** 2425 South 21st Street  
Phoenix, AZ 85034  
www.stancor.com (602)275-3800

DRAWN BY	DRAWN DATE	CHECKED BY	CHECKED DATE

DESC. 3P-50A-240V

PART NO. DP3U50

PAGE 1 OF 1

TOLERANCE
INCHES (mm)
X ±0.06 [1.50]
XX ±0.02 [1.50]
XXX ±0.006 [1.50]
XXX ±0.002 [1.50]
ANGLES ±1°

THIRD ANGLE PROJECTION