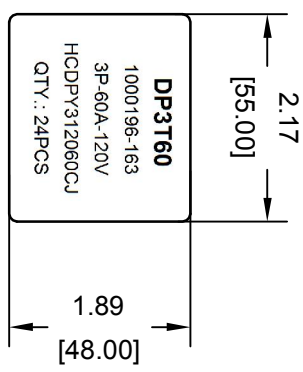
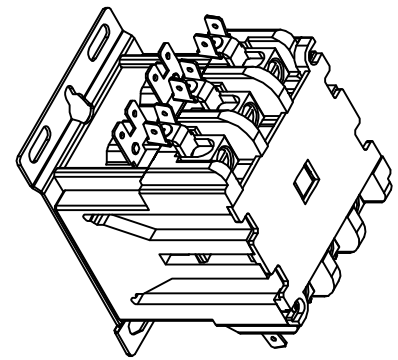
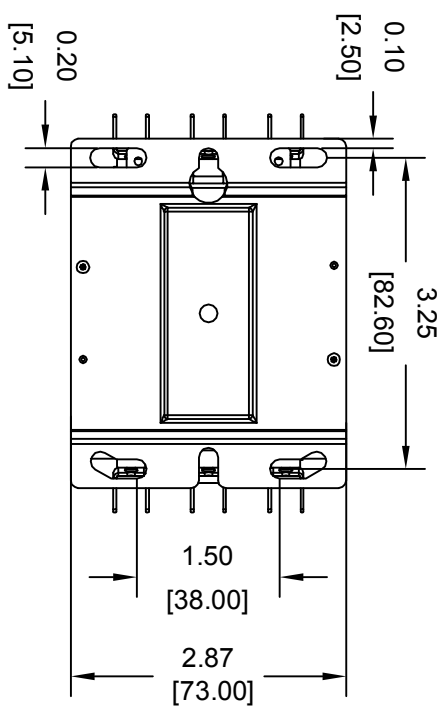


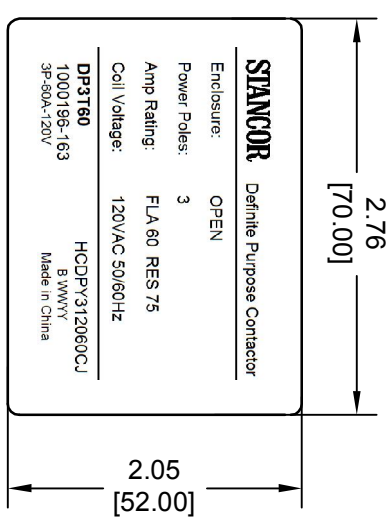
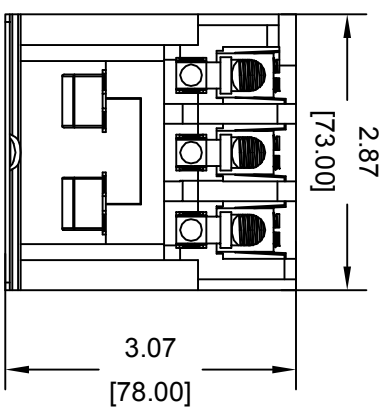
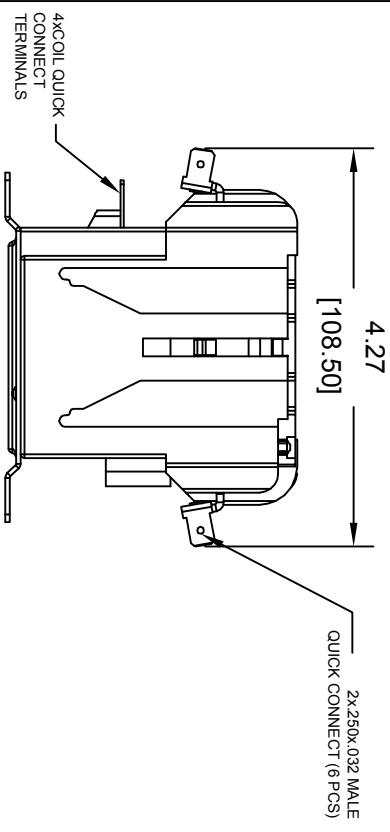
POLES	COIL VAC	FLA	RES	TERMINATION	COVER	INDIVIDUAL BOX
3	120VAC 50/60Hz	60	75	#14.2 COMPRESSION TERMINALS 2 Quick Connect Power Termination	YES	YES

COIL DATA
COIL 120VAC 50/60Hz 120 OHM 90 VAC OPERATE 19.2-81.6 VAC DROPOUT 120 VA INRUSH 21 VA SEAL MAX VOLTAGE 132 VAC

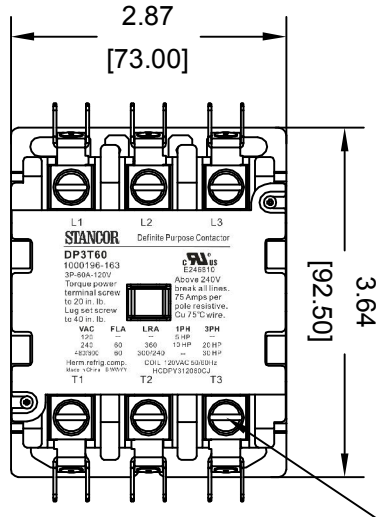
NOTES: UNLESS OTHERWISE SPECIFIED



Master Carton Label



Individual Box Label



L1	L2	L3
STANCOR DP3T60 1000196-163 3P-60A-120V Torque power terminal screw to 20 in. lb. Lug set screw to 40 in. lb.	Definite Purpose Contactor E2468710 Above 240V break all lines. 75 Amps per pole resistive. Cu 75°C wire.	PAUS E2468710 Above 240V break all lines. 75 Amps per pole resistive. Cu 75°C wire.
VAC 120 FLA 60 LRA 360 1PH 5HP 3PH 10HP	VAC 120 FLA 60 LRA 360 1PH 5HP 3PH 10HP	VAC 120 FLA 60 LRA 360 1PH 5HP 3PH 10HP
Herm. rel'ng comp. HCDPV312080CJ	Herm. rel'ng comp. HCDPV312080CJ	Herm. rel'ng comp. HCDPV312080CJ
T1	T2	T3

Product Label

REV	DESCRIPTION	EGN	DMN	APPD	DATE

DESC.	DRAWN BY	DRAWN DATE	CHECKED BY	CHECKED DATE
3P-60A-120V				

ANGLES	TOLERANCE
X.XXX ±1°	INCHES (mm)
X.XXX ±0.002 [0.050]	X ±0.06 [1.50]
X.XXX ±0.006 [1.50]	X.X ±0.02 [1.50]
X.XXX ±0.002 [0.050]	X.XXX ±0.006 [1.50]

THIRD ANGLE PROJECTION

STANCOR	2425 South 21st Street
Phoenix, AZ 85034	(602)275-3800
www.stancor.com	

REV	
DESCRIPTION	
EGN	
DMN	
APPD	
DATE	

DESC.	3P-60A-120V
DRAWN BY	
DRAWN DATE	
CHECKED BY	
CHECKED DATE	

PART NO.	DP3T60
PAGE	1 OF 1