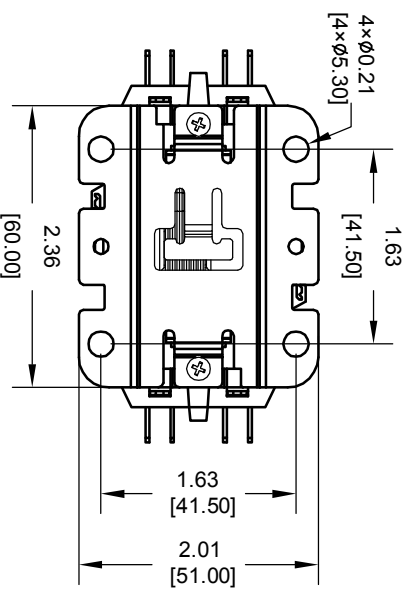


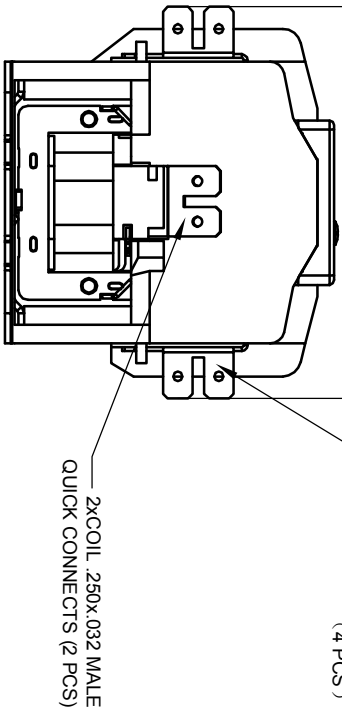
POLES	COIL VAC	FLA	RES	TERMINATION	COVER	INDIVIDUAL BOX
2	24VAC 50/60Hz	30	40	#10-32 COMBINATION SCREWS 4 Quick Connect Power Termination	YES	YES

COIL DATA
COIL 24VAC 50/60Hz 18 OHM 18 VAC OPERATE 3.8-16.3 VAC DROPOUT 32 VA INRUSH 5.6 VA SEAL MAX VOLTAGE 26.4 VAC

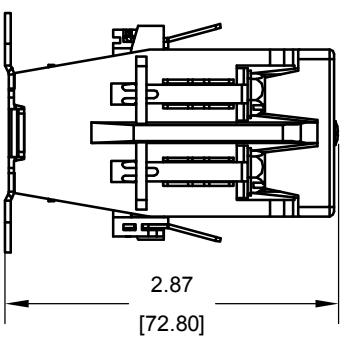
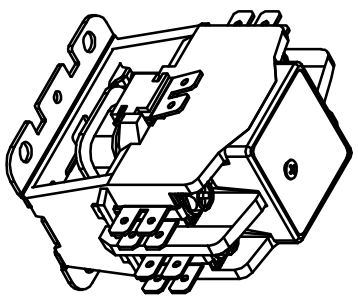
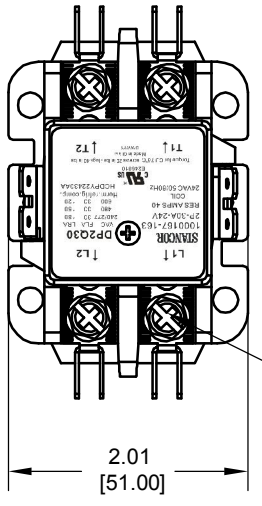
NOTES: UNLESS OTHERWISE SPECIFIED



3.28 [83.40]
4x 250x.032 MALE QUICK CONNECTS (4 PCS)



#10-32 HEX COMBO SCREW (4 PCS)



2.17 [55.00]

DP2Q30
1000167-163
2P-30A-24V
HCDPY22430AA
QTY.: 50PCS

Master Carton Label

Product Label

L1 ↑ ↑ L2

STANCOR
1000167-163
2P-30A-24V
RES AMPS 40
COIL
24VAC 50/60Hz

DP2Q30
VAC FLA LRA
240/277 30 180
480 30 150
600 30 120
Herm. rertifg. comp.
HCDPY22430AA

PNIS
E246810
Torque for CU 75°C: screws 20 in lbs / lugs 40 in lbs
T1 ↑ ↑ T2
Made in China
B W W Y Y

2.76 [70.00]
2.05 [52.00]

STANCOR Define Purpose Connector

Enclosure: OPEN
Power Poles: 2
Amp Rating: FLA 30 RES 40
Coil Voltage: 24VAC 50/60Hz

DP2Q30 HCDPY22430AA
1000167-163 B W W Y Y
2P-30A-24V Made in China

Individual Box Label

TOLERANCE
INCHES [mm]
X ±0.06 [1.50]
X.X ±0.02 [.50]
X.XX ±0.006 [1.50]
X.XXX ±0.002 [.050]
ANGLES ±1°
THIRD ANGLE PROJECTION

REV	DESCRIPTION	EGN	DWNN	APVD	APVD DATE

DESC. **2P-30A-24V**

DRAWN BY _____ DRAWN DATE _____ CHECKED BY _____ CHECKED DATE _____

STANCOR 2425 South 21st Street
Phoenix, AZ 85034
www.stancor.com (602)275-3800

PART NO. **DP2Q30**

PAGE 1 OF 1