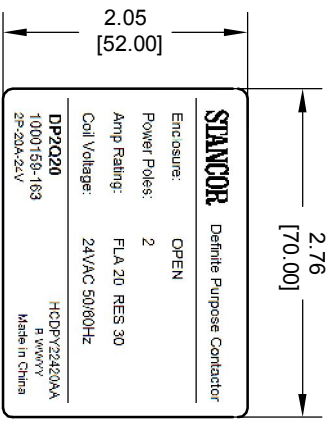
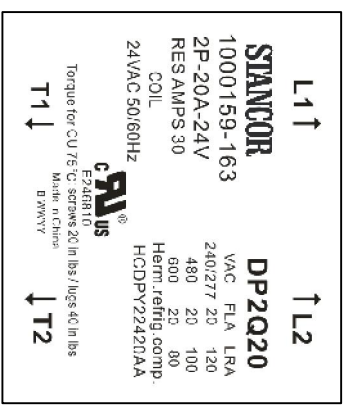
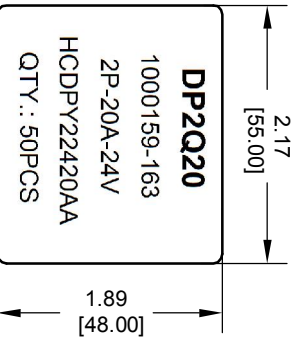
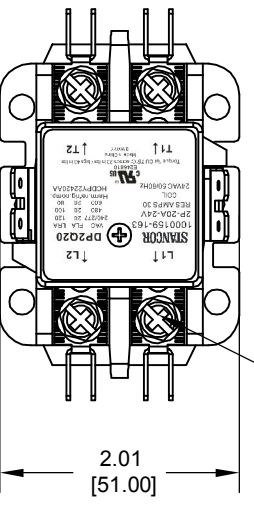
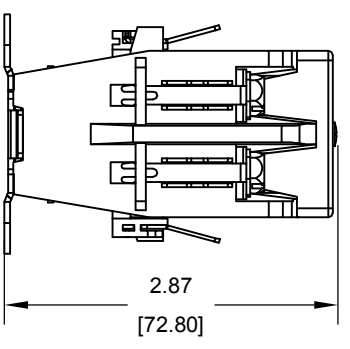
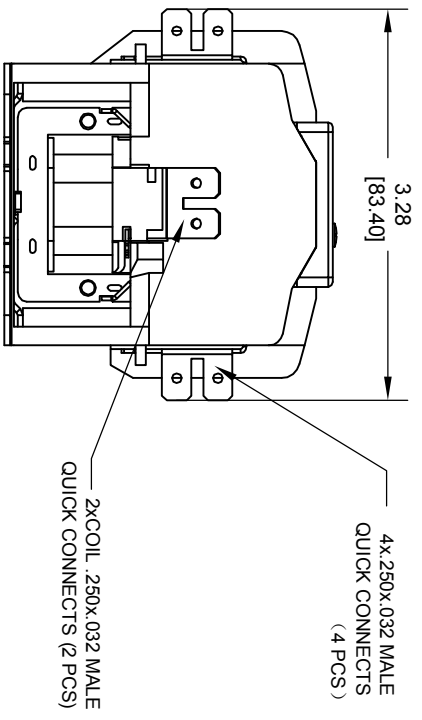
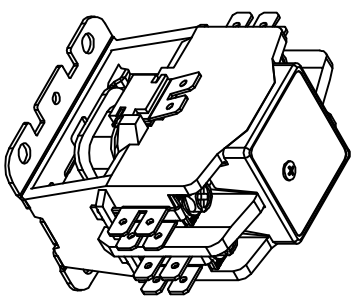
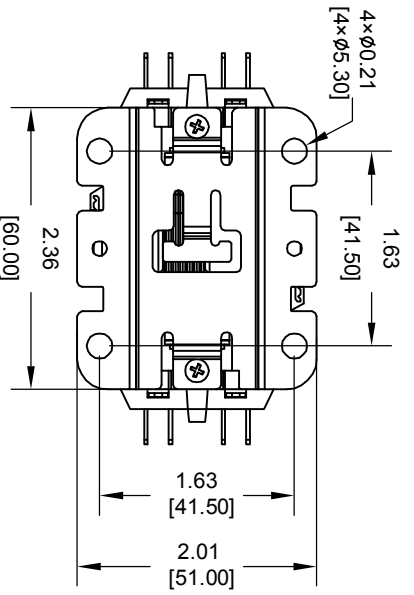


POLES	COIL VAC	FLA	RES	TERMINATION	COVER	INDIVIDUAL BOX
2	24VAC 50/60Hz	20	30	#10-32 COMBINATION SCREWS 4 Quick Connect Power Termination	YES	YES

**COIL DATA**  
 COIL 24VAC 50/60Hz  
 18 OHM 18 VAC OPERATE  
 3.8-16.3 VAC DROPOUT  
 32 VA INRUSH 5.6 VA SEAL  
 MAX VOLTAGE 26.4 VAC

**NOTES: UNLESS OTHERWISE SPECIFIED**



TOLERANCE	INCHES [mm]
X	±0.06 [1.50]
XX	±0.02 [.50]
XXX	±0.006 [.150]
XXXX	±0.002 [.050]
ANGLES	±1°

REV.	DESCRIPTION	ECN	DWNN	APVD	APVD DATE

DESC. **2P-20A-24V**

DRAWN BY: \_\_\_\_\_ DRAWN DATE: \_\_\_\_\_ CHECKED BY: \_\_\_\_\_ CHECKED DATE: \_\_\_\_\_

PART NO. **DP2Q20**

PAGE 1 OF 1

**STANCOR** 2425 South 21st Street  
 Phoenix, AZ 85034  
 www.stancor.com (602)275-3800

Master Carton Label

Product Label

Individual Box Label