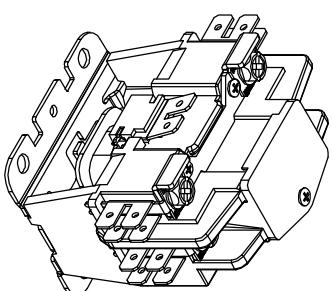
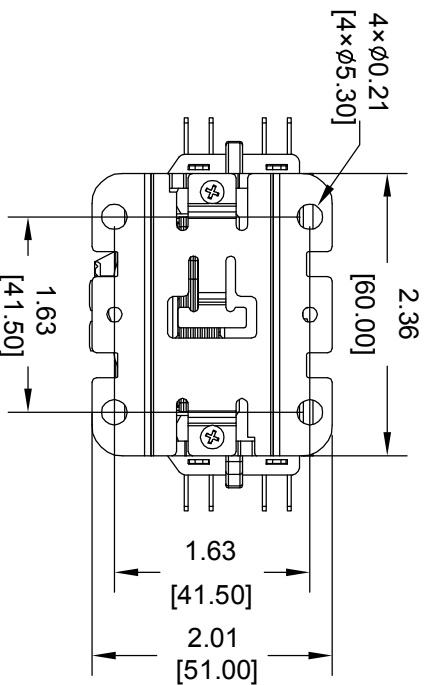


POLES	COIL VAC	FLA	RES	TERMINATION	COVER	INDIVIDUAL BOX
1	277VAC 50/60Hz	30	40	#10-32 COMBINATION SCREWS 4 Quick Connect Power Termination	YES	YES

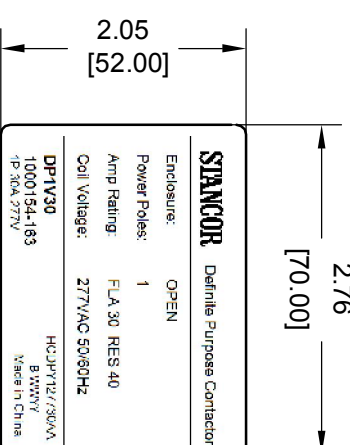
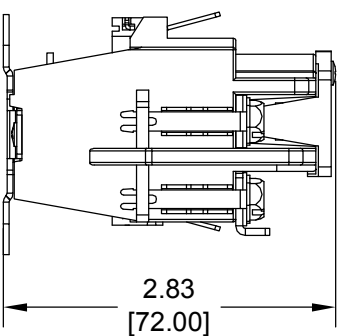
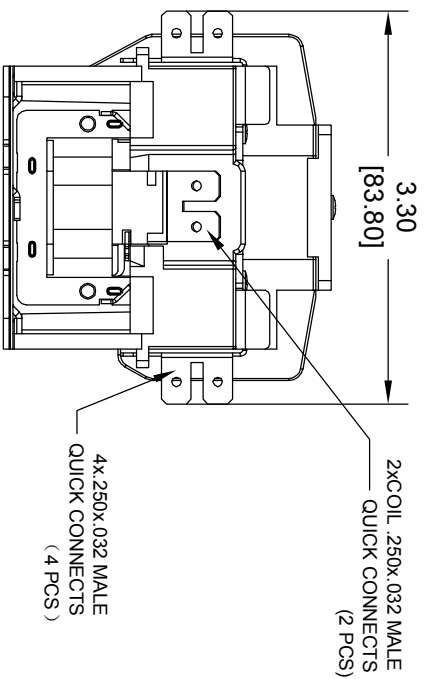
COIL DATA
COIL 277VAC 50/60Hz 2488 OHM 208 VAC OPERATE 44-188 VAC DROPOUT 30.8 VA INRUSH 5.4 VA SEAL MAX VOLTAGE 304.7 VAC

**NOTES: UNLESS OTHERWISE SPECIFIED**

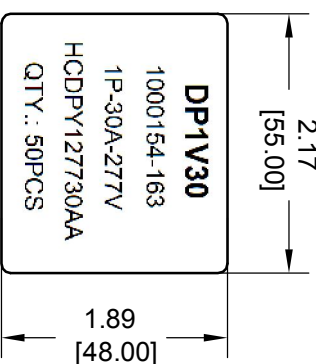
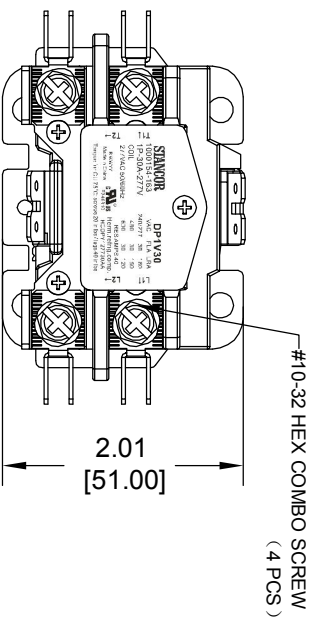


<b>STANCOR</b>		<b>DP1V30</b>	
1000154-163	VAC	FLA	LRA
1P-30A-277V	240/277	30	180
COIL	480	30	150
277VAC 50/60Hz	600	30	120
BYWYV	RES	AMPS	40
Make in China	Herm.	refrig.	comp.
E246810	HCDPY127730AA		
Torque for CU 75°C, screws 20 in/lbs / Iugs 40 in/lbs			

Product Label

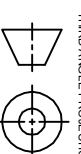


Individual Box Label



Master Carton Label

TOLERANCE
INCHES (mm)
X ±0.06 [1.50]
XX ±0.02 [1.50]
X.XX ±0.006 [1.50]
XXXX ±0.002 [0.50]
ANGLES ±1°



THIRD ANGLE PROJECTION

REV.	DESCRIPTION	ECN	DMN	APVD	APVD DATE

DRAWN BY: [ ] DRAWN DATE: [ ] CHECKED BY: [ ] CHECKED DATE: [ ]

DESC. 1P-30A-277V

PART NO. DP1V30

STANCOR 2425 South 21st Street  
Phoenix, AZ 85034  
www.stancor.com (602)275-3800

PAGE 1 OF 1