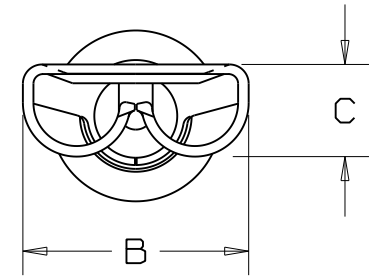
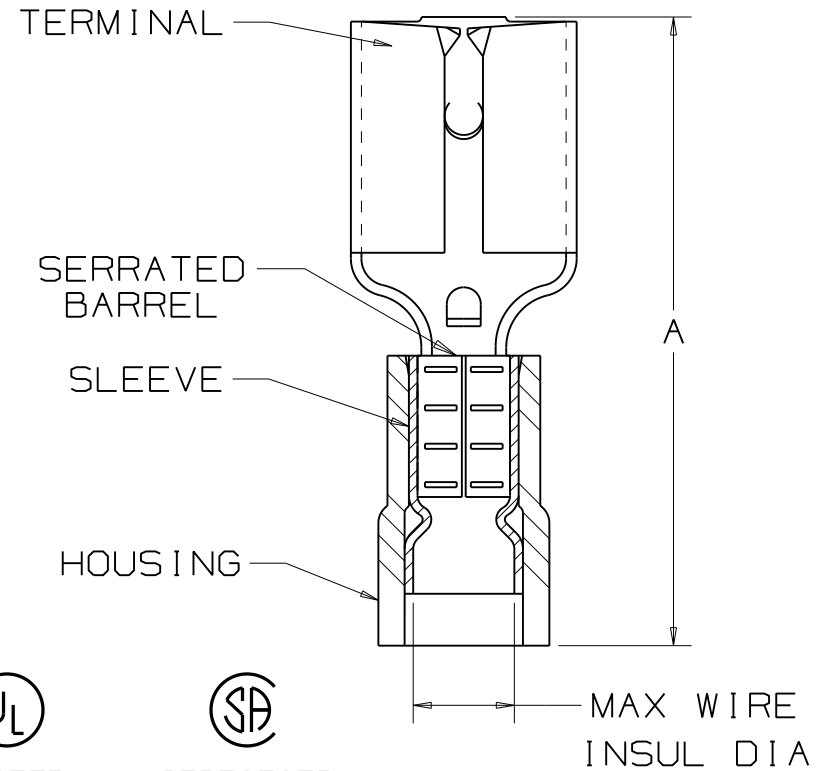


PART NUMBER PREFIX	TAB SIZE	WIRE RANGE AWG (mm <sup>2</sup> )	HOUSING COLOR	MAX INSUL DIA	DIMENSIONS in		
					A $\pm .03$ (0.8)	B $\pm .01$ (0.3)	C $\pm .01$ (0.3)
DNF18-188	.187 x .020 (4.8 x 0.5)	22-18 (.5-1.0)	RED	.137 (3.48)	.76 (19.3)	.23 (5.8)	.10 (2.5)
DNF14-188	.187 x .020 (4.8 x 0.5)	16-14 (1.5-2.5)	BLUE	.162 (4.11)	.76 (19.3)	.23 (5.8)	.10 (2.5)



NOTES:


- UL LISTED AND CSA CERTIFIED FOR:
  - 300V. MAX. VOLTAGE RATING
  - STRANDED COPPER WIRE ONLY
  - 194° F (90° C) MAX. TEMP. RATING
- SEE [www.panduit.com](http://www.panduit.com) FOR PART NUMBER SUFFIX DESIGNATION FOR PACKAGE SIZE
- MATERIAL:
  - STAMPING: .016 (0.4) THK BRASS, TIN PLATED
  - SLEEVE: BRASS, TIN PLATED
  - HOUSING: NYLON
- WIRE STRIP LENGTH  $9/32 \begin{matrix} +1/32 \\ -0 \end{matrix}$  (7.1  $\begin{matrix} +0.8 \\ -0 \end{matrix}$ )
- INITIAL INSERTION FORCE - 12 LB. (53 N) MAX  
INITIAL WITHDRAWAL FORCE - 12 LB. (53 N) MAX  
6 LB. (27 N) MIN
- INSTALLATION TOOLS:
  - UL LISTED AND CSA CERTIFIED: CT-500, CT-600-A
  - PANDUIT APPROVED: CT-100, CT-160, CT-260, CT-400, CT-460 (FOR DNF14-188 ONLY), CT-1550, CT-1551, CT-2500
- DIMENSIONS IN BRACKETS ARE IN MILLIMETERS OR mm<sup>2</sup>



  
LISTED  
20H3  
E78522

  
CERTIFIED  
LR31212

REV	DATE	BY	DESCRIPTION
11	8/11	SHOR	ADDED INSTALLATION TOOLS
10	7/11	SB	Added Note # 2

		CORP	TINLEY PARK, ILLINOIS
NYLON INSULATED FEMALE DISCONNECT, FUNNELED WIRE ENTRY (.188 SERIES)			
DRAWN BY	CHK'D	SCALE	DRAWING NO.
DAW		NONE	A41313