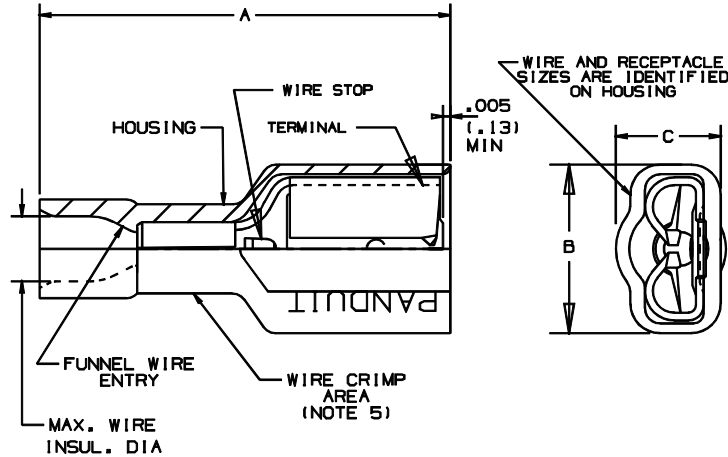


THIS COPY IS PROVIDED ON A RESTRICTED BASIS AND IS NOT TO BE USED IN ANY WAY DETRIMENTAL TO THE INTERESTS OF PANDUIT CORP.

NOTES:

- UL LISTED AND CSA CERTIFIED FOR:
 - 600V MAX VOLTAGE RATING
 - 221°F (105°C) MAX TEMP RATING (CSA).
 - 257°F (125°C) MAX. TEMP. RATING (UL).
 - STRANDED COPPER WIRE ONLY.
 - 6-12 LBS. INITIAL INSERTION/WITHDRAWL FORCE.
- MATERIAL:
 - STAMPING-CDA 260 BRASS, TIN PLATED
 - HOUSING-TYPE 66 NYLON
- DIMENSIONS IN BRACKETS ARE IN mm OR mm²
- COLORS ARE TRANSLUCENT
- PART NUMBER DNF10-250FI IS CONSTRUCTED WITH BRASS SLEEVE IN WIRE CRIMP AREA.
- PACKAGING:
 - STD -C=100, -L=50
 - BULK -M=1000, -D=500



PART NUMBER	PK	TAB SIZE	WIRE RANGE AWG (mm ²)	COLOR (note 4)	MAX. INSUL.	DIMENSIONS in.			TOOL CHART	
						A ±.03 (1.8)	B ±.01 (1.3)	C ±.02 (1.5)		
DNF18-250F1B	-C -M	.250 X .032	22-18 (0.5-1.5)	RED	.136 (3.45)	.84 (21.3)	.35 (8.9)	.22 (5.6)	CT-520 CT-1525	
DNF18-205F1B	-C -M	.205/.187 X .032	22-18 (0.5-1.5)	RED	.136 (3.45)	.78 (19.8)	.31 (7.9)	.22 (5.6)		
DNF18-206F1B	-C -M	.205/.187 X .020	22-18 (0.5-1.5)	RED	.136 (3.45)	.78 (19.8)	.31 (7.9)	.22 (5.6)		
DNF18-187F1B	-C -M	.187 X .032	22-18 (0.5-1.5)	RED	.136 (3.45)	.78 (19.8)	.29 (7.4)	.16 (4.1)		
DNF18-188F1B	-C -M	.187 X .020	22-18 (0.5-1.5)	RED	.136 (3.45)	.78 (19.8)	.29 (7.4)	.16 (4.1)		
DNF14-250F1B	-C -M	.250 X .032	18-14 (1.5-2.5)	BLUE	.160 (4.08)	.84 (21.3)	.35 (8.9)	.22 (5.6)		
DNF14-205F1B	-C -M	.205/.187 X .032	18-14 (1.5-2.5)	BLUE	.160 (4.08)	.78 (19.8)	.31 (7.9)	.22 (5.6)		
DNF14-206F1B	-C -M	.205/.187 X .020	18-14 (1.5-2.5)	BLUE	.160 (4.08)	.78 (19.8)	.31 (7.9)	.22 (5.6)		
DNF14-187F1B	-C -M	.187 X .032	18-14 (1.5-2.5)	BLUE	.160 (4.08)	.78 (19.8)	.29 (7.4)	.18 (4.6)		
DNF14-188F1B	-C -M	.187 X .020	18-14 (1.5-2.5)	BLUE	.160 (4.08)	.78 (19.8)	.29 (7.4)	.18 (4.6)		
DNF10-250F1B	-L -D	.250 X .032	12-10 (4.0-6.0)	YELLOW	.220 (5.59)	.96 (24.4)	.35 (8.9)	.23 (5.8)		CT-1525



A41196_10

						PANDUIT		CORP TINLEY PARK, ILLINOIS						
10	5/01	KMD		REMOVED DNF10-250FI FROM TABLE.				FULLY INSULATED FEMALE DISCONNECTS .250 X .032, .205/.187 X .187/.188 X .032/.020						
09	1/99	WB	SKB	ADDED 18/14 187 & 188 F1BS		07445	TRO	CJC	UNLESS OTHERWISE SPECIFIED, DIMENSIONAL TOLERANCES ARE: (.X) ± (.XXX) ± (.XX) ± ANGLES ±					
08	6/98	TM	JW	ADDED CT-1525, AND DNF10-250F1B		06881	DBH	LA						
07	4/95	MS	RS	REVISED SLOT NOTE		03167	KS	LA						
06	4/95	MS	RS	ADDED NOTE TO SLOT		03133	KS	LA						
05	10/94	MS	RS	UPDATED NOTES AND DIMENSIONS		02507	TFK	LA						
REV	DATE	BY	CHK	DESCRIPTION		ECN #	PM	CUST	UNLESS OTHERWISE SPECIFIED, ALL DIMENSIONS ARE GIVEN IN INCHES, THIRD ANGLE PROJECTION					
								DRAWN BY	WJB	MAT'L	SCALE	NONE		
								DATE	1/6/99		DRAWING NO.	A41196	DWG SIZE	B
								CHK'D						