


[HOME](#) [CONTACT](#)


About Us

[Products](#) | [Support](#) | [About Us](#) | [Newsroom](#) | [Careers](#) | [Brand Merchandise](#)
[+ Global Locations](#)
[+ Contact Us](#)


Click [here](#) to read more about Molex Incorporated

[Home > About Us](#)

About Us

Molex Incorporated is a 70-year-old global developer, manufacturer and marketer of a wide array of Automation, Electrical, Fiber Optic and Electronic products engineered for superior performance in demanding, harsh, or hazardous industrial environments. Based in Lisle, Illinois, USA, the company operates 59 manufacturing facilities in 19 countries spanning North America, Europe and Asia/Paci

In July, 2006, Molex finalized the purchase of Woodhead Industries and created the Automation and Electrical Products Division (AEPD). AEPD is a global developer, manufacturer and marketer of a wide array of **Automation and Electrical** products engineered for superior performance in demanding, harsh, or hazardous industrial environments. AEPD "**Empowers the Industrial Infrastructure**" with innovative products and solutions that extend from mechanical, electrical and electronics, to communications/networking devices and diagnostic software.

AEPD supports two core business areas – **Automation and Electrical** – each of which clearly communicates our commitment to continue to drive product innovations in today's fast-changing market. Each business unit supports a master brand comprising a set of product competencies/categories, which include an array of targeted product offerings.

I. Automation Business - Master Brand: Brad®

Within the Brad brand are the following product categories:

- **BradConnectivity™** – Connectors, cordsets and distribution boxes for sensor, actuator and bus applications
- **BradCommunications™** – Network interface cards, gateways, simulation software, and diagnostic devices
- **BradControl™** – Network I/O devices for on-machine and in-cabinet applications
- **BradPower™** – Modular, flexible wiring systems for machine power distribution and motor control

Within these Brad product categories are individual product lines that include applicom®, mPm®, S RJ-Lnxx®, Brad Harrison®, Mini-Change®, Micro-Change®, and Nano-Change®.

II. Electrical Business - Master Brand: Woodhead®

Within the Woodhead brand are the following product categories:

- Woodhead Balancers
- Woodhead Electrical Specialties
- Woodhead Lighting
- Woodhead Portable Power
- Woodhead Hose Reels
- Woodhead Wiring Devices
- Woodhead Electric Reels
- Woodhead Mobile Electrification
- Woodhead Wire Mesh Grips

Within these **Woodhead** product categories are individual product lines that include Aero-Motive®, Woodhead®, Watertite® and Super-Safeway®

Woodhead Industries Company History

Woodhead Industries was founded as Daniel Woodhead Company in 1922.

The company engineered and manufactured the world's first rubber-handled handlamp, which was used for safety in transportation application with the railroads, and the product was patented that same year. Since that time, Woodhead has continued to fulfill the needs of the global industrial marketplace with innovative electrical and connectivity products designed to withstand harsh, unforgiving environments.

Growth Through Mergers and Acquisitions

Part Number Search

Enter a part number for fast access to your product.

Your Quote Request

Items in Quote: 0

[Go to Quote Request](#)

Cordsets with Circular Connectors

[> eCat Home](#)

[> Automation Products](#)

[> Connectors and Cordsets](#)

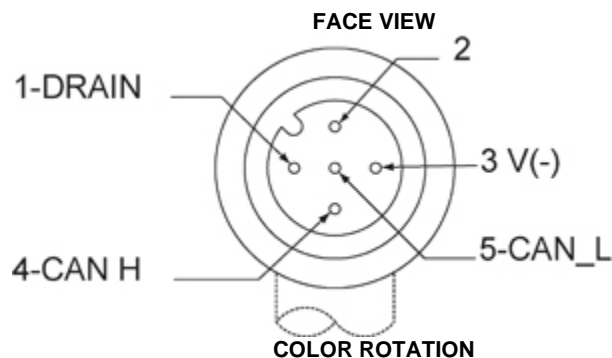
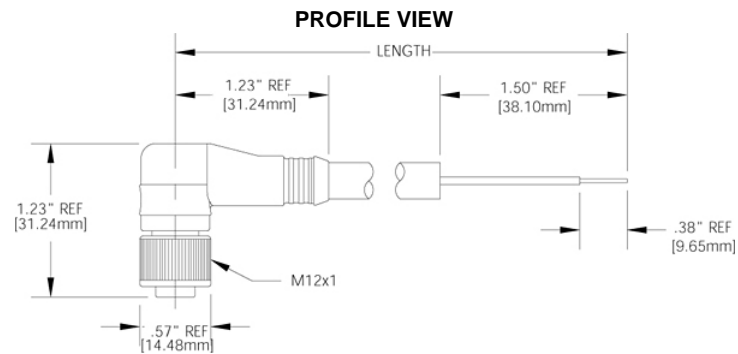
[> DeviceNet Products](#)

[> Cordsets > Cordset Connector](#)

Part Number: DND30A-M020

[Go to Specifications](#)

[Download Files](#)



MICRO-CHANGE CONNECTOR PINOUT

- 1 - bare (shield drain)
- 2 - red (V+)
- 3 - black (V-)
- 4 - white (CAN H)
- 5 - blue (CAN_L)

If you would like a part, indicate the quantity and click "Add to Quote Request"

Quantity:

[Add to Quote Request](#)

[Product Attributes](#)

ATTRIBUTE SELECTION

First Connector End
Micro-Change (Drop)

Second Connector End
No Connector

Cable Type :
Thin, Standard

Configuration :
Female 90

Cable Length :
2 meter

Coupling Nut :
Black Epoxy-Coated

DOWNLOAD FILES

PROFILE VIEW

[DN THIN MIC FP 90 VIEW.dxf](#)

FACE VIEW

[DN MIC 5P FP FACI](#)

COLOR ROTATION

[DN MIC 5P COLOR](#)

SPECIFICATIONS

Mechanical

Female End Molded Body - PVC
 Female End Connector Face - Nylon 6/6
 Female End Contact Plating - Gold over nickel
 Female End Contact - Phosphor Bronze
 Coupling nut - Black epoxy coated diecast zinc
 Cable (Power, Data, Drain) - DeviceNet Thin

Electrical

Female End Voltage Rating - 250V A
 Cable Voltage Rating - 300V, 80 deg
 Female End Amperage - 4A
 Cable Amperage - 4 A

(2#22, 2#24, 1#22)

Cable Diameter - .270" (6.86mm)

Cable Materials - Gray PVC outer jacket w/Nylon skin inner insulation(Power), PE Foam inner insulation(Data)

Cable Construction - Two foil shielded pairs, one copper drain wire between pairs

Environmental

Female End Protection - IP68, NEMA 6P

Ambient Operating Temperature - -20C to 105C

Certifications

UL - UL Recognized, File #E152210

CSA - CSA Certified, File #LR6837