
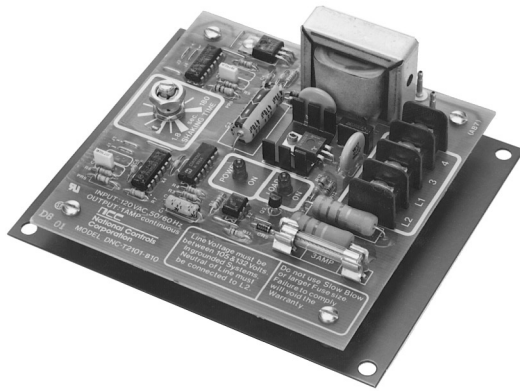
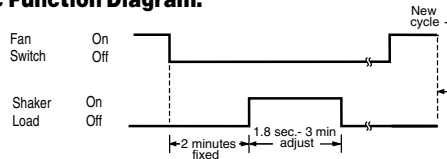


Features

-  File #E65038
- Simple 4 Wire Installation
- Replaces Electromechanical Timers
- Completely Solid-state Timing and Switching Logic
- High Quality Locking Bushing Potentiometers for Timing Adjustment
- Very Low Power Consumption
- RTV Protective Coating For Corrosion and Moisture Resistance
- LED Function Lights on PC Board
- Function Indicating Lights on T2101-020
- Mounts In Standard NEMA-4/JIC Enclosures



Logic Function Diagram:



Dust Collector Controls

For Intermittent Use Collectors T2101

Operating Logic: The control is used on intermittent type dust collectors to automatically activate the "shaking" mechanism 2 minutes after the fan motor is turned off.

Upon removing power from the fan, a 2 minute fixed delay is initiated. At the end of the delay, the "shaker" output is activated for an adjustable period of 1.8 seconds to 3 minutes. Resetting the control occurs by turning the fan motor on again.

CAUTION: The control must be wired according to the schematic provided.

Specifications

Timing

- Delay Time:** 120 seconds \pm 10% fixed
- Shake Time:** Adjustable from 1.8 to 180 seconds
- Repeatability:** \pm 3% over temperature and voltage range

Input

- Operating Voltage:** 105 to 135 Volt AC
- Power Consumption:** 5.5 Watts plus shaker contactor coil power
- Frequency:** 50/60 Hz

Output

Type: Solid-state switch -1 Amp continuous @ 1.5V below input voltage

Transient Protection

Input: Transformer and large filter capacity
Output: Solid-state switch rated for 10a @ 400V protected by metal oxide varistor. 3 Amp. fuse

Ordering Information

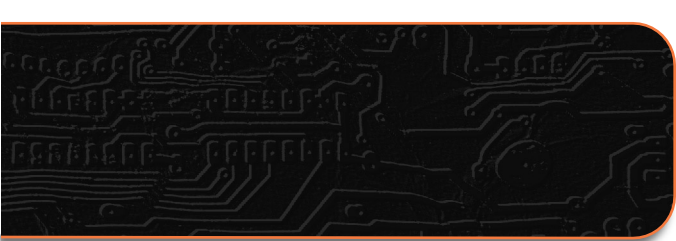
Description	Part Number
Control On Chassis	DNC-T2101-010
Control In Hinged NEMA-4 Box with Functional Lights	DNC-T2101-020

Accessories:

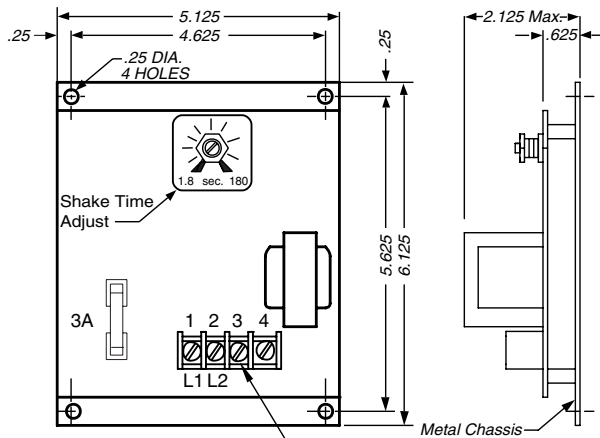
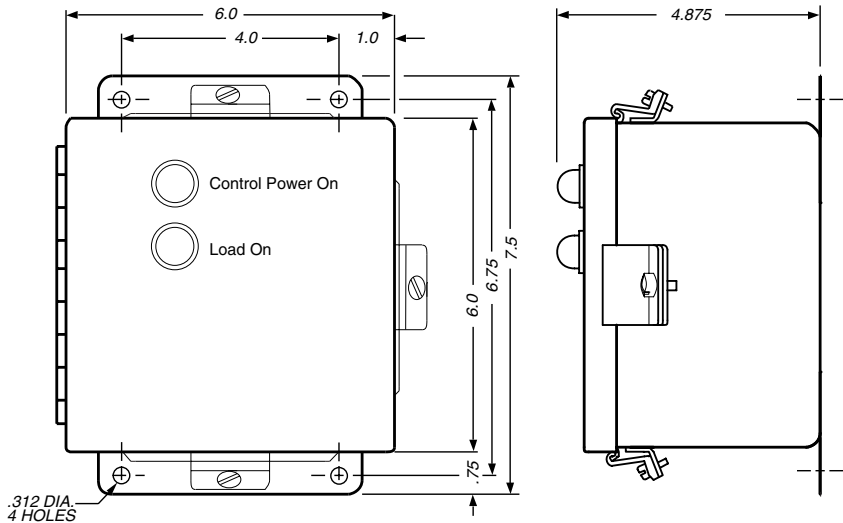
Description	Dimensions	Part Number
NEMA-4 BOX	6" x 6" x 4"	BOX-A0606-CHNF
Pilot Lamp	NEMA-4 Rated Red Light	ASL-00RED-NEMA4
On/Off Switch	NEMA-4 Rated w/Legend Plate	MSW-0DPST-011

AMETEK NCC offers NEMA 4 type enclosures for mounting our controls. These enclosures are made of heavy gauge steel and have a continuous hinge cover. All seams are continuously welded. The finish is gray hammer-tone enamel inside and out, over phosphatized surfaces.

Note. In order to keep abreast of the latest technology, AMETEK NCC reserves the right to change components and/or design of controls without notice.

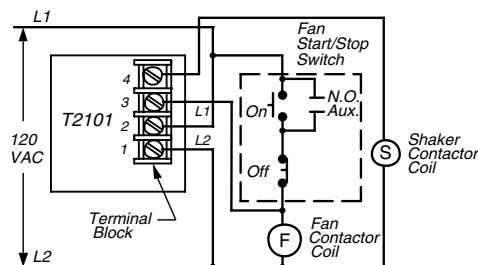


DNC-T2101-020



DNC-T2101-010

(4250-1 10/92)



Field Wiring Diagram

Important Notice to Users:

Our timers are capable of use in a wide array of devices and in various applications. Any device or system incorporating a timer should be so designed that, in the event of failure, malfunction or normal wear-out of the timer, the system will become inoperative in a manner which will prevent property damage or bodily injury.

Caution:

1. Do not mount controls in high vibration areas without shock mounts.
2. Do not mount controls in areas of high dust or corrosive atmospheres without a protective enclosure.
3. Do not use a converter or inverter for the power source.
4. Do not mount control in high transient voltage areas without an isolation transformer
5. Do not leave control box open.
6. Do not allow a local repair shop to repair the controls, as we employ some very sophisticated components that could be further damaged. For service, call us directly: 800-323-2593