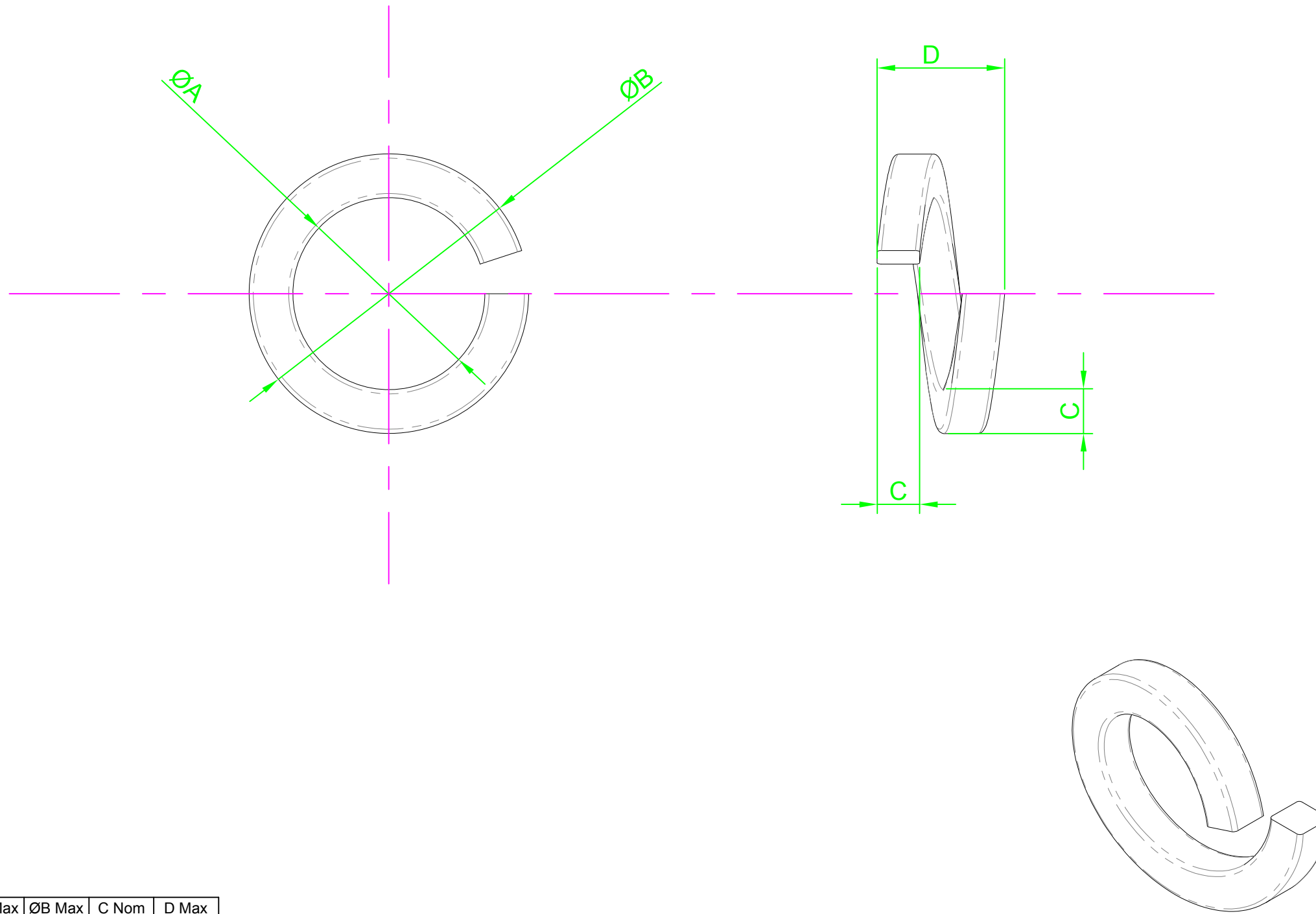


DO NOT SCALE DRAWING



REVISION	
A	INITIAL DRAWING 17.9.15 DW
B	Part Number Correction 10.11.15 DW

Part Number	ØA Max	ØB Max	C Nom	D Max
DM3 - DSSA2WA - S100	3.4	5.6	1.0	2.36
DM4 - DSSA2WA - S100	4.4	7.0	1.2	2.83
DM5 - DSSA2WA - S100	5.4	8.8	1.6	3.78
DM6 - DSSA2WA - S100	6.5	9.9	1.6	3.78
DM8 - DSSA2WA - S100	8.5	12.7	2.0	4.72
DM10 - DSSA2WA - S100	10.7	16.0	2.5	5.9

NOTES:



UNLESS OTHERWISE SPECIFIED:  
DIMENSIONS ARE IN MM (MILLIMETERS).  
SURFACE FINISH:  
TOLERANCES: ISO 2768-m  
ANGULAR ± 2°

MATERIAL:  
STAINLESS STEEL A2

TITLE:  
Square Section Spring Washer DIN 7980

	NAME	DATE
DRAWN	Darryl Wilson	17.09.15
CHK'D		
APPVD		

HEAT TREATMENT:

DESIGN RIGHT. TR FASTENINGS LTD, 2003  
UNDER NO CIRCUMSTANCES MUST THIS  
DRAWING BE COPIED OR DISCLOSED  
WITHOUT FIRST OBTAINING WRITTEN  
AUTHORITY.

CUSTOMER PART NUMBER:  
N/A

FINISH:  
SELF FINISH

DRAWING NUMBER:  
TR32DSSA2WA-S100

A4

PROJECTION

