

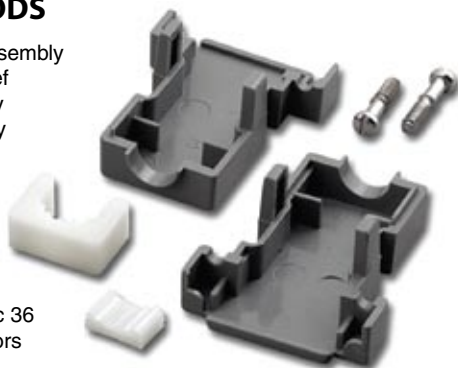


SNAP SHUT HOODS

- Snap Shut Locking Assembly
- Snap Shut Strain Relief
- Includes All Necessary Hardware for Assembly

DP-09CB
DP-15CB
DP-25CB

DP-36CB For Centronic 36 Pin Connectors



RIBBON CABLE D-SUB HOODS

- Gray Plastic
- Includes All Necessary Hardware for Assembly
- Metalized Plastic Available

DP-09CF
DP-15CF
DP-25CF
DP-37CF



Please use only with IDC-(XX)FB or MB Series

DUAL EXIT HOOD (180° & 90° Exit)

- Single Piece Clamp Screw Shut Style Black DB 25 Hood
- Various Sizes of Strain Relief
- Includes All Necessary Hardware for Assembly

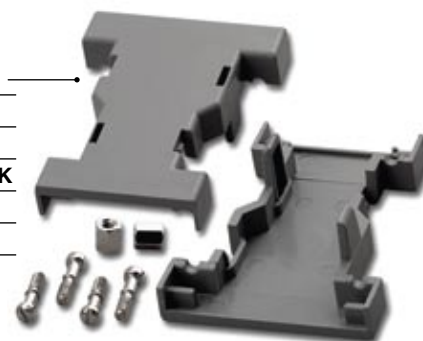
DP-25DA



SERIAL ADAPTOR HOODS

- Snap Shut Locking Assembly
- Includes All Necessary Hardware for Assembly

Gray **DP-15/9C-G**
DP-25/9C-G
Black **DP-25/9C-BK**
Metalized **DN-25/9C**



GENDER CHANGER HOODS

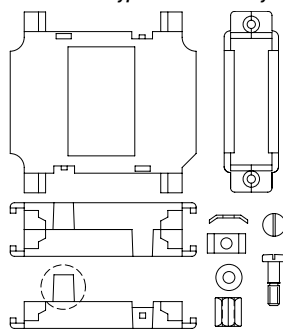
- Snap Shut Locking Assembly
- Includes All Necessary Hardware for Assembly

Metalized **DN-09JBC**
DN-15JBC
DN-25JBC

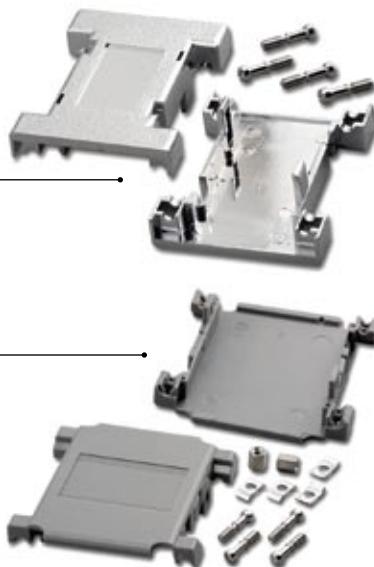
Plastic Gray Color **DP-09JBC-G**
DP-15JBC-G
DP-25JBC-G1
DP-25JBC-G2*
DP-25JBC-G3

Plastic Black Color **DP-09JBC-BK**
DP-15JBC-BK
DP-25JBC-BK1
DP-25JBC-BK2*
DP-25JBC-BK3

* Used for Solder Type Connector Only



DP-25JBC-BK2

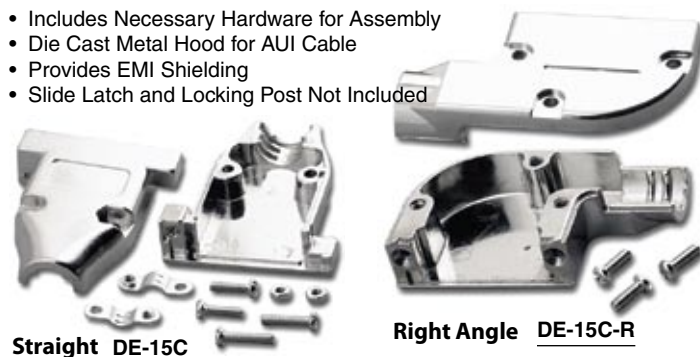


METAL ETHERNET HOOD

- Includes Necessary Hardware for Assembly
- Die Cast Metal Hood for AUI Cable
- Provides EMI Shielding
- Slide Latch and Locking Post Not Included

Straight **DE-15C**

Right Angle **DE-15C-R**



Slide Latch and Locking Post. Page 110

METAL HOODS

- Metal Clamp Strain Relief (Not Included in DM-9C)
- Includes Necessary Hardware for Assembly
- 9Pin Has Two Cable Exit Diameter Options Available
- Die Cast Metal Hood
- Provides EMI Shielding

DM-15C
DM-25C
DM-37C

DM-9C/6 6.5 mm Cable Exit Hole
DM-9C/8 8.5 mm

