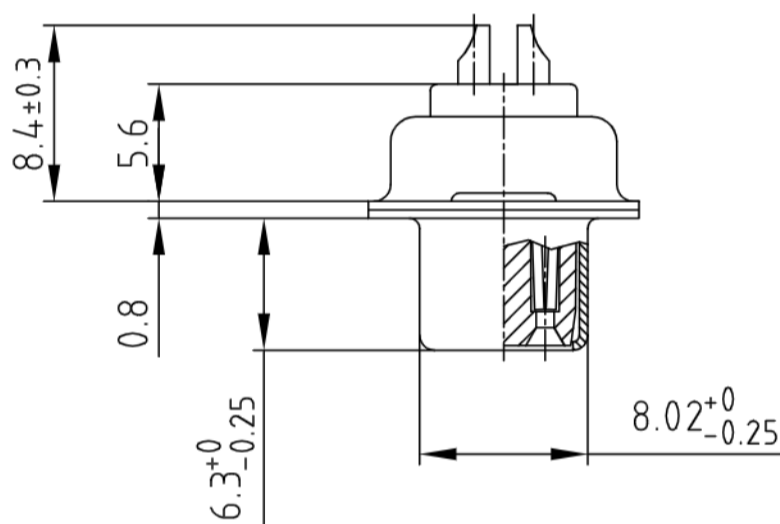
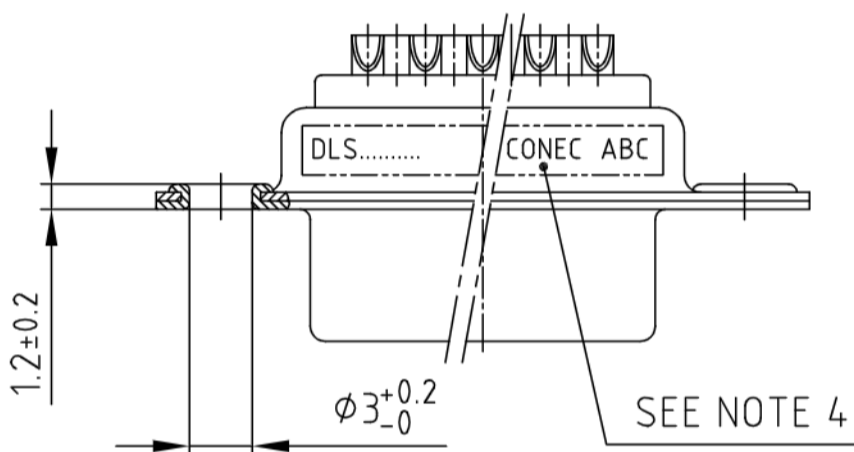
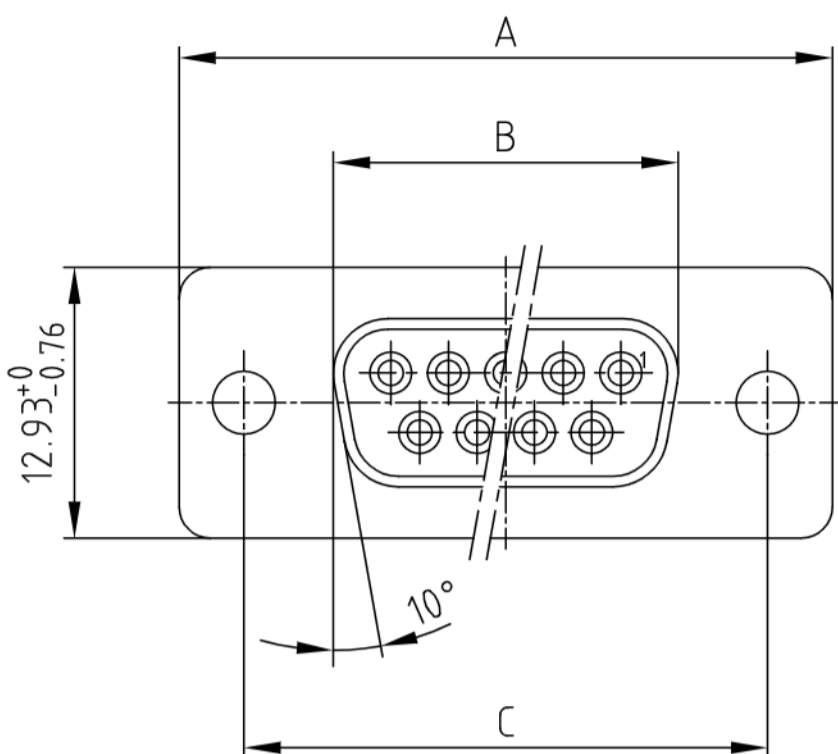


used for: D-SUB

POS.	A -0.76	B -0.25	C	Part-No.
9	31.19	16.46	25.00 ^{+0.12} / _{-0.13}	DLS1XS1AD01X
15	39.52	24.79	33.30 ^{+0.15} / _{-0.1}	DLS2XS1AD01X
25	53.42	38.50	47.04 ±0.13	DLS3XS1AD01X
37	69.70	54.96	63.50 ±0.13	DLS4XS1AD01X



NOTES:

- METALSHELLS: STEEL; min. 315µin TIN over 40-80µin NICKEL
- INSULATORS: PBT GF UL 94 V-0; BLACK
- CONTACTS: COPPER ALLOY
PLATING: GOLD FLASH over NICKEL
SOLDER CUP ACCEPTS CABLE AWG 20
- CONNECTOR IS PART MARKED: PART-NO. CONEC ABC

Directive 2002/95/EC RoHS compliant

THIS DRAWING MAY NOT BE COPIED OR REPRODUCED IN ANY WAY, AND MAY NOT BE PASSED ON TO A THIRD PARTY WITHOUT WRITTEN PERMISSION.
 OWNERSHIP AND COPYRIGHT OF CONEC GmbH
 DO NOT ALTER CAD DRAWING BY HAND

tolerance			dim. in mm	
2012	date		name	
drawn	06.01.		Lehmenkühler	
appd.	06.01.		Fischer	
norm				
d-old				
a	Original			
rev.	description	date	name	



scale:	2:1
material:	SEE NOTES
title:	D-SUB FEMALE 9-37pos. SOLDER CUP with stamped contacts
dwg no:	16K1A3006
part no:	SEE TABLE
DIN-A	4
sh:	1/1

