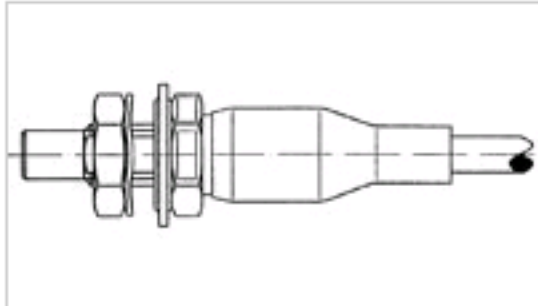




DK-3716-E222-CS Product Details

[Share](#) | [Print](#) | [Email](#)


✓ Active

Data Bus MIL-STD-1553

DK-3716-E222-CS

DK-3716-E222-CS

TE Internal Number: 641537-000

Product Highlights [View All](#)

- Data Bus Component Type = Discrete Connector
- Coupler Type = Jack
- Coupler Style = Threaded
- Contact Type = Socket
- Not ELV/RoHS compliant

[Pricing & Availability](#) >

[Request Sample](#) >

[Add to My Part List](#) +

[Buy Product through Distributor](#) >

Feedback

[Documents](#) | [Features](#) | [Compliance](#)

Please Note:
Use the Product Drawing for all design activity

Product Type Features

Data Bus Component Type ?	Discrete Connector
Coupler Type ?	Jack

Termination Features

Connection Type	Solder
------------------------	--------

Body Features

Coupler Style ?	Threaded
------------------------	----------

Contact Features

Contact Type	Socket
---------------------	--------

Industry Standards

RoHS/ELV Compliance ?	Not ELV/RoHS compliant
Lead Free Solder Processes ?	Not relevant for lead free process

Environmental

Operating Temperature (Max.) (°C)	150
--	-----

Operation/Application

Application Type	MIL-STD-1553B Data Bus Components
-------------------------	-----------------------------------

Other

Brand	Raychem
--------------	---------

Related Products

Not quite the product you're looking for?

[Find Similar Products](#)

[View Part in Product Feature Selector](#)

[Check for Tooling](#)

Corporate Information

- [About TE](#)
- [Investors](#)
- [News Room](#)
- [Supplier Portal](#)
- [Careers](#)
- [Terms & Conditions](#)
- [Privacy Policy](#)
- [Global Accessibility Statement](#)

Quick Links

- [Distributor Inventory](#)
- [Product Cross Reference](#)
- [Documents & Drawings](#)
- [Product Compliance Support Center](#)
- [Site Map](#)

Customer Support

- [Email or Chat With Us](#)
- [Find a Phone Number](#)
- [Knowledge Base](#)
- [Manage Your Account](#)

Keep Me Informed

