

## Interface module - DFLK-D50 SUB/S - 2291286

Please be informed that the data shown in this PDF Document is generated from our Online Catalog. Please find the complete data in the user's documentation. Our General Terms of Use for Downloads are valid (<http://phoenixcontact.com/download>)



The VARIOFACE feed-through module implements a 1:1 connection between plug-in screw connection terminal blocks and a D-SUB miniature pin strip (number of positions: 50). There is no separate ground tap.

### Why buy this product

- 9 to 50-pos.
- 9 to 37-pos.: separate ground tap
- 50-pos.: no ground tap
- According to IEC 60807-2
- Screw connection
- 1:1 connection
- D-SUB 4-40 UNC thread

### Key Commercial Data

|              |   |
|--------------|---|
| Packing unit | 5 STK   |
| GTIN         | <br>4 017918 058333 |

### Technical data

#### Dimensions

|        |          |
|--------|----------|
| Width  | 39 mm    |
| Height | 143.4 mm |
| Depth  | 33 mm    |

#### Ambient conditions

|   |                  |
|---|------------------|
| Ambient temperature (operation)         | -20 °C ... 50 °C |
| Ambient temperature (storage/transport) | -20 °C ... 70 °C |

#### General

|   |                           |
|---|---------------------------|
| Max. perm. operating voltage            | 125 V AC/DC               |
| Max. perm. current (per branch)         | 2.5 A                     |
| Max. permissible current (all branches) | 50 A                      |
| Number of positions                     | 50                        |
| Mounting position                       | any                       |
| Assembly instructions                   | In rows with zero spacing |

# Interface module - DFLK-D50 SUB/S - 2291286

## Technical data

### General

|                          |                                |
|--------------------------|--------------------------------|
| Degree of protection     | IP20                           |
| Standards/regulations    | IEC 60664                      |
|                          | DIN EN 50178                   |
|                          | IEC 62103                      |
| Rated insulation voltage | 125 V                          |
| Rated surge voltage      | 1.2 kV (Functional insulation) |
| Degree of pollution      | 2                              |
| Overvoltage category     | II                             |

### Connection data for connection 1

|                                  |   |
|----------------------------------|---|
| Connection name                  | Field level                                 |
| Connection in acc. with standard | IEC / EN                                    |
| Connection method                | Screw connection                            |
| Stripping length                 | 8 mm  |
| Screw thread                     | M3  |
| Conductor cross section solid    | 0.2 mm <sup>2</sup> ... 4 mm <sup>2</sup>   |
| Conductor cross section flexible | 0.2 mm <sup>2</sup> ... 2.5 mm <sup>2</sup> |
| Conductor cross section AWG      | 24 ... 12                                   |

### Connection data for connection 2

|                       |                  |
|-----------------------|------------------|
| Connection name       | Controller level |
| Connection method     | D-SUB pin strip  |
| Number of connections | 1                |
| Number of positions   | 50               |

### Standards and Regulations

|                                  |              |
|----------------------------------|--------------|
| Connection in acc. with standard | CUL          |
| Standards/regulations            | IEC 60664    |
|                                  | DIN EN 50178 |
|                                  | IEC 62103    |
| Degree of pollution              | 2            |
| Overvoltage category             | II           |

### Classifications

#### eCl@ss

|            |          |
|------------|----------|
| eCl@ss 4.0 | 27250313 |
| eCl@ss 4.1 | 27250313 |
| eCl@ss 5.0 | 27250313 |
| eCl@ss 5.1 | 27250313 |
| eCl@ss 6.0 | 27242608 |
| eCl@ss 7.0 | 27141152 |

# Interface module - DFLK-D50 SUB/S - 2291286

## Classifications

### eCl@ss

|            |          |
|------------|----------|
| eCl@ss 8.0 | 27141152 |
|------------|----------|

### ETIM

|          |          |
|----------|----------|
| ETIM 2.0 | EC001434 |
| ETIM 3.0 | EC001604 |
| ETIM 4.0 | EC001604 |
| ETIM 5.0 | EC002780 |

### UNSPSC

|               |          |
|---------------|----------|
| UNSPSC 6.01   | 30211824 |
| UNSPSC 7.0901 | 39121421 |
| UNSPSC 11     | 39121421 |
| UNSPSC 12.01  | 39121421 |
| UNSPSC 13.2   | 39121421 |

## Approvals

### Approvals

---

#### Approvals

UL Recognized / cUL Recognized / EAC / cULus Recognized

---


#### Ex Approvals

---

#### Approvals submitted

---

### Approval details

|   |       |
|---|-------|
| UL Recognized  |       |
| mm <sup>2</sup> /AWG/kcmil  | 30-12 |
| Nominal current I <sub>N</sub>  | 2.5 A |
| Nominal voltage U <sub>N</sub>  | 125 V |

# Interface module - DFLK-D50 SUB/S - 2291286

## Approvals

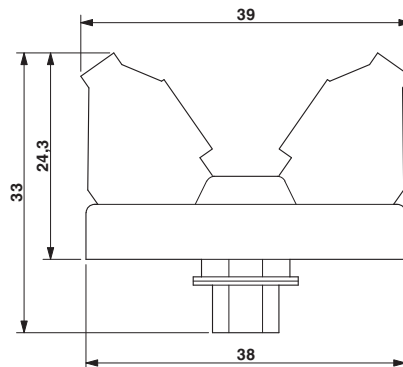
|                                |       |
|--------------------------------|-------|
| cUL Recognized                 |       |
| mm <sup>2</sup> /AWG/kcmil     | 30-12 |
| Nominal current I <sub>N</sub> | 2.5 A |
| Nominal voltage U <sub>N</sub> | 125 V |

|     |
|-----|
| EAC |
|-----|

|                  |
|------------------|
| cULus Recognized |
|------------------|

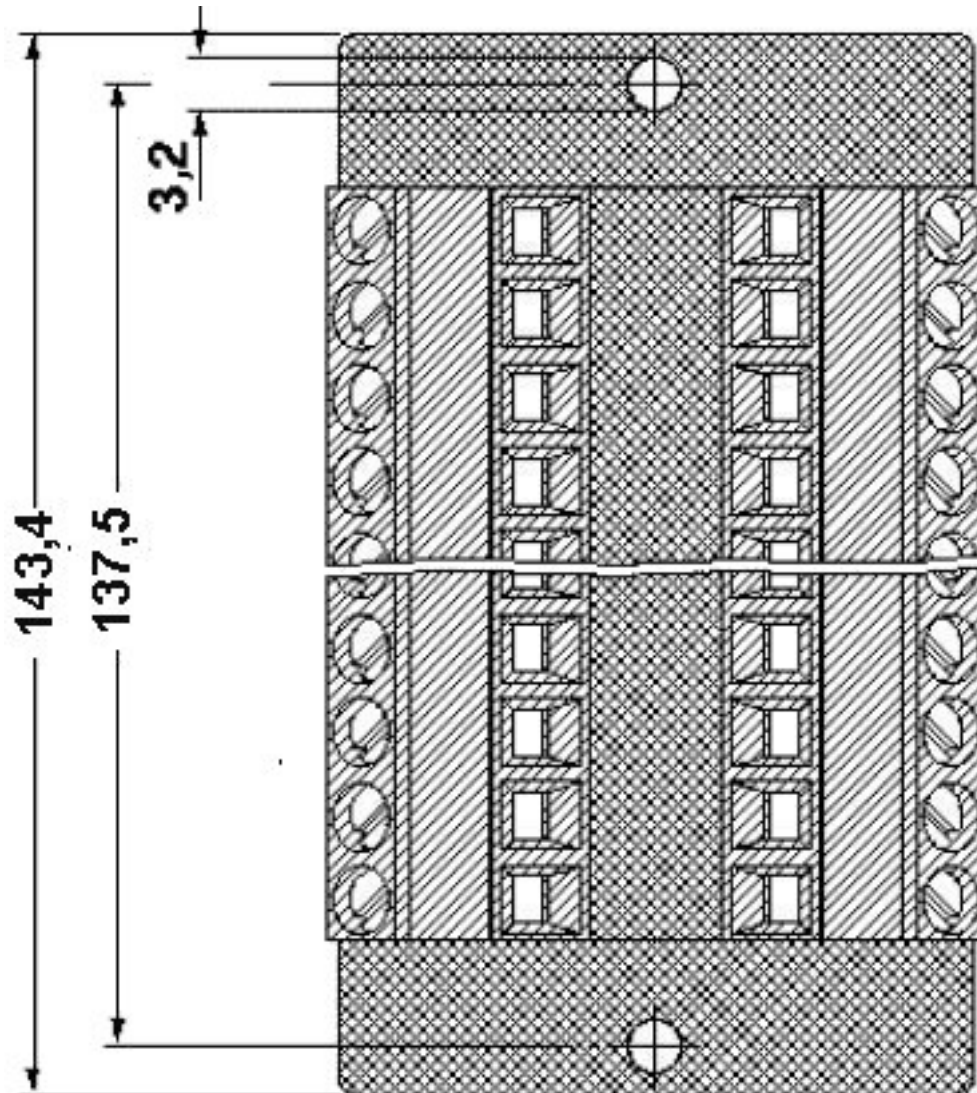
## Drawings

Dimensional drawing

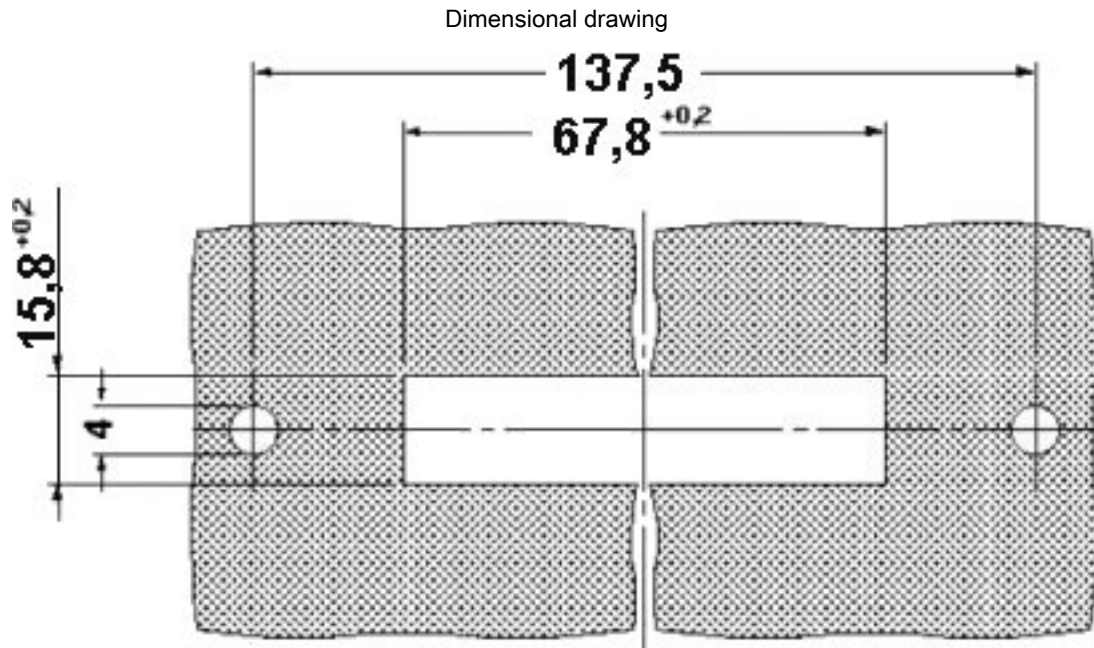


# Interface module - DFLK-D50 SUB/S - 2291286

Dimensional drawing



## Interface module - DFLK-D50 SUB/S - 2291286



Phoenix Contact 2016 © - all rights reserved  
<http://www.phoenixcontact.com>

PHOENIX CONTACT GmbH & Co. KG  
Flachsmarktstr. 8  
32825 Blomberg  
Germany  
Tel. +49 5235 300  
Fax +49 5235 3 41200  
<http://www.phoenixcontact.com>