

DATA CENTER FLOOR BRUSH KITS



INDUSTRY STANDARDS

Designed to meet the following standards:

- Flame resistant VO rating per ANSI/UL94 ("Tests for Flammability of Plastic Material for Parts in Devices and Appliances")
- RoHS compliant
- 2008 NEC code compliant with requirements of Article 645.5 (D) (5)
- NFPA 75 Section 5-4.4
- Hoffman is an ISO 9001 company

APPLICATION

These Floor Brush Kits provide convenient, safe passage of cables from under a data center raised floor into a cabinet or rack. The overlapping brushes conform around the cables and block the flow of cold air. This improves data center efficiency and reduces operating costs by minimizing or eliminating up to 90 percent of cold air leakage through the raised floor cutout.

FEATURES

- Blocks up to 90 percent of cold air leakage around power and data cables
- Flush mounts provide a low profile and grommet to raised-floor panel cutouts (required by NEC and NFPA)
- Surface mount provides an easy-to-use retrofit to existing raised-floor cutouts

- Adjustable flush mount provides an extra-large cable capacity and can be cut to size to fit the application
- Overlapping bristles conform around data and power cables to minimize air leakage through raised floor and improve overall data center cooling efficiency
- Reduction of cold air loss through raised-floor plenums helps to increase under floor static pressure
- Cover provides protection during build out
- Smooth, rounded low-profile flush mount edges protect cables from sharp raised-floor edges
- Two-piece surface mount and adjustable floor brush kits have self-sticking adhesive to expedite installation
- Raised-floor tiles need not be removed for installation
- Brush kits can also be used on cabinets or other locations that need to provide cable egress and prevent air leakage or contaminants from entering
- Self-tapping screws included

SPECIFICATIONS

- ABS polycarbonate housing
- Nylon polymer bristles
- EPDM gasket

FINISH

Black finish inside and out

Cable Fill for Data Center Floor Brush Kits

Cable Category	5e	6	6A
Diameter (in.)	.22	.25	.30
Area (in. ²)	.0380	.0491	.0707

Cable Area and Fill

Catalog Number	Usable Cable Area D x E (in.)	Area (in. ²)	No. Cables at 60% Fill		
			5e	6	6A
DFB410F	9.25 x 3.00	27.75	438	339	235
DFB57F	7.49 x 4.86	36.40	575	445	309
DFB66S	7.00 x 6.25	43.75	691	535	371
DFBA1024F	23.50 x 9.19	215.97	3409	2639	1833

DFBA1024F - at maximum size.

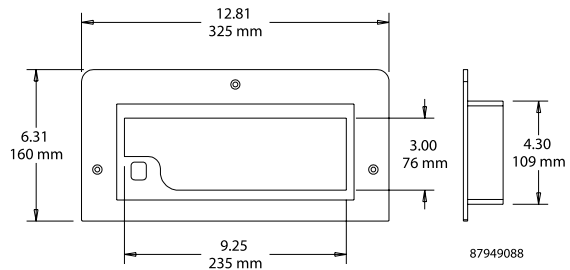
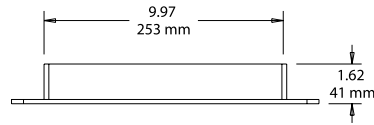
2-PIECE FLUSH-MOUNT FLOOR BRUSH KIT WITH COVER



Use Flush-Mount Floor Brush Kit with removable brush and solid cover for new installations. Install two kits when large bundles of cables are needed. Removable back brush allows floor tile removal without disconnecting cables. There's no need for an oversized cutout because the removable back brush allows large connectors to pass through the grommet. Removable solid safety cover allows installation of the grommet during the construction phase and eliminates the risk of injury by stepping through the grommet opening. OSHA jobsite standards require open holes in floor panels to be covered. **NEC, UL and NEMA require safety covers and cable protection against sharp edges.**

BULLETIN: DACCY

Catalog Number	Description	Max. H x W x D in./mm	Cable Egress in./mm
DFB410F	Flush-Mount Floor Brush with cover and removable brush	6.31 x 12.81 x 1.62 160 x 325 x 41	3.50 x 9.50 89 x 241



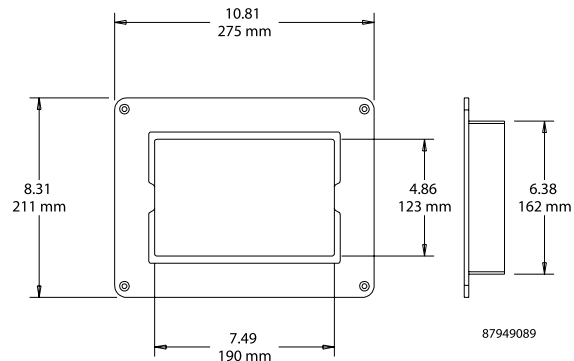
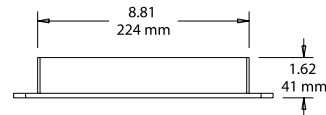
1-PIECE FLUSH-MOUNT FLOOR BRUSH KIT WITH COVER AND TWO-STAGE SEALING



Flush-Mount Floor Brush Kit with Cover is a heavy-duty two-stage sealing system. Brush and EPDM gasket provide the most effective air seal. Heavy-duty, integrated safety cover allows installation of the grommet during the construction phase and eliminates the risk of injury by stepping through the grommet opening. OSHA jobsite standards require open holes in floor panels to be covered. Easy-to-install system integrates with the access floor static dissipative system. **NEC, UL and NEMA require safety covers and cable protection against sharp edges.**

BULLETIN: DACCY

Catalog Number	AxBxC in./mm	Description	Cable Egress in./mm
DFB57F	8.31 x 10.81 x 1.62 211 x 275 x 41	Flush-Mount Floor Brush Kit with Cover	7.49 x 4.86 190 x 123



2-PIECE SURFACE-MOUNT RETROFIT FLOOR BRUSH KITS

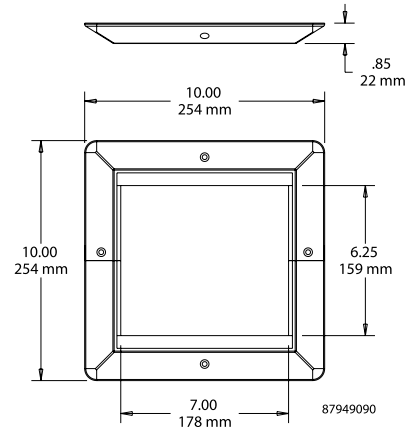


Use Surface-Mount Floor Brush Kits to cover existing floor cutouts. Two-piece assembly retrofits around existing cables without disconnecting the cables. Mounting hardware and adhesive included.

NEC, UL and NEMA require safety covers and cable protection against sharp edges.

BULLETIN: DACCY

Catalog Number	AxBxC in./mm	Description	Cable Egress in./mm
DFB66S	10.00 x 10.00 x 0.85 254 x 254 x 22	Surface-Mount Floor Brush Kit	6.50 x 6.50 165 x 165



ADJUSTABLE FLOOR BRUSH KITS

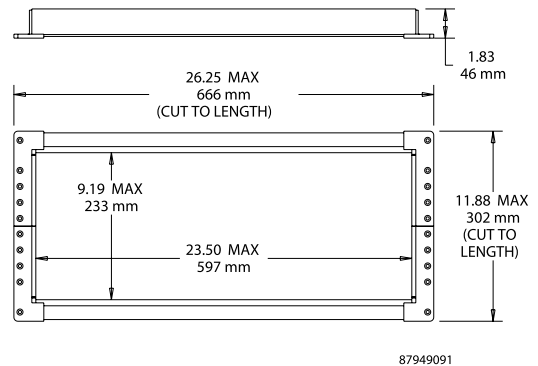


Use Floor Brush Kits to seal odd-sized cutouts. Cut-to-fit design is easy to install with factory-applied adhesive strips. Engineered side rail clips provide cable protection per NFPA 75, Section S-4.4.

NEC, UL and NEMA require safety covers and cable protection against sharp edges.

BULLETIN: DACCY

Catalog Number	Description	Max. H x W x D in./mm	Cable Egress in./mm
DFBA1024F	Adjustable Floor Brush Kit	11.88 x 26.25 x 1.83 302 x 667 x 46	9.75 x 24.00 248 x 610



Notes