

Delta 25

Wireless LAN and Bluetooth 'Stubby' Right Angle Antenna



Key Features

- Wireless LAN and Bluetooth frequencies
- Compact 28.5mm length
- SMA Male Right Angle connector
- Groundplane Independent
- Wide operating temperature range

General Description

The Delta 25 is a compact, right angled direct connect 2.4GHz stubby antenna at 28.5mm long including the connector. This antenna is available with the SMA male and the Reverse polarity SMA male connectors. This range of very compact 2.4GHz direct connect antennas is likely to be dominant in the stubby antenna market given their performance and size.

The Delta 25 is commonly used with WiFi, Bluetooth and Zigbee applications to help improve signal strength. The antenna can be used with WiFi modems such as TP-Link and NetGear that operate on the 2.4GHz frequency.

Additional Considerations

- Ensures antenna can be discretely mounted
- Does not rely on mounting on metallic surface
- WiFi, Bluetooth and ZigBee compatible
- Direct device connection
- Omnidirectional radiation

Delta 25

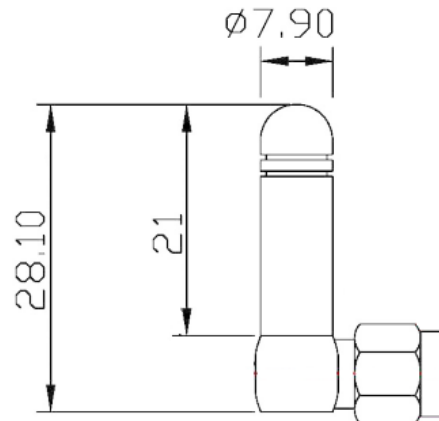
Wireless LAN and Bluetooth 'Stubby' Right Angle Antenna

Electrical Specifications

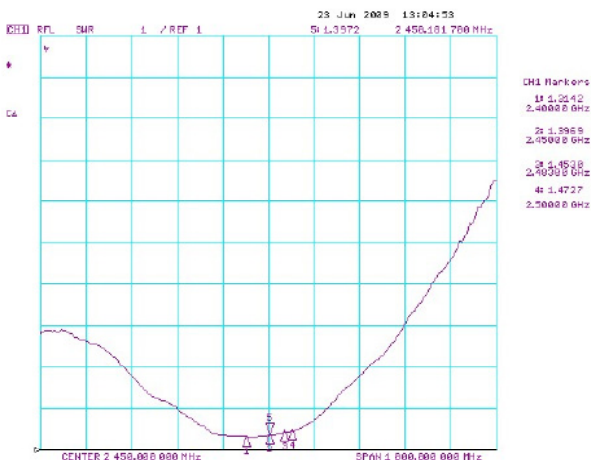
Impedance:	50 Ohm
Gain:	<0dBi
VSWR:	<2.0:1
Frequency:	2.4GHz (2.4-2.5GHz)
Electric Wave:	1/4 monopole antenna

Mechanical Specifications

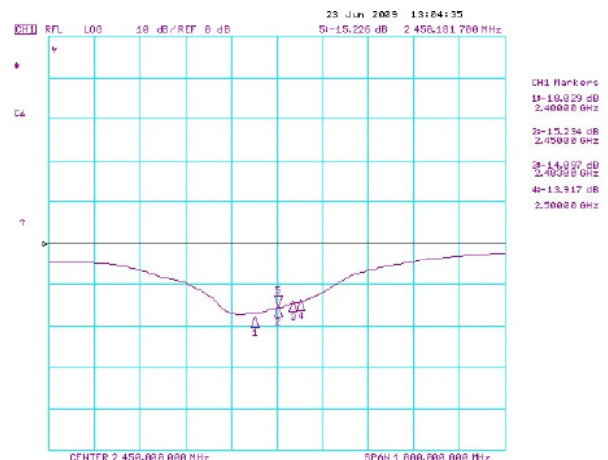
Dimensions:	L28.1, 7.9mm Ø
Connector:	SMA Male / SMA Male RP
Mounting Method:	Direct connect



VSWR



Return Loss

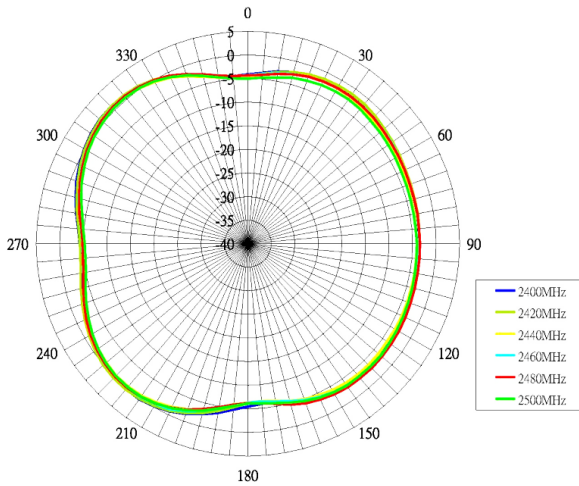


Delta 25

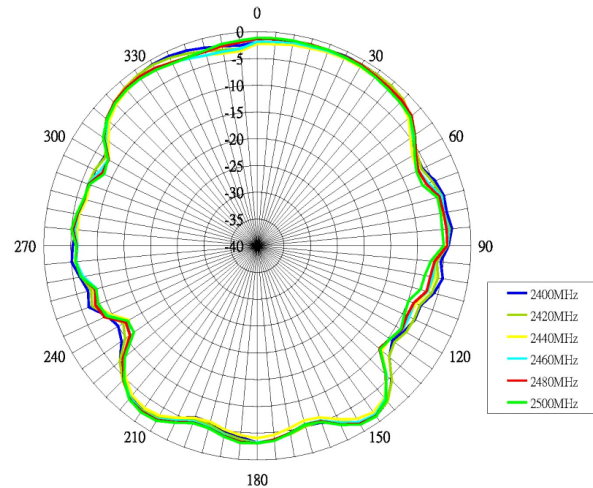
Wireless LAN and Bluetooth 'Stubby' Right Angle Antenna

Radiation Patterns

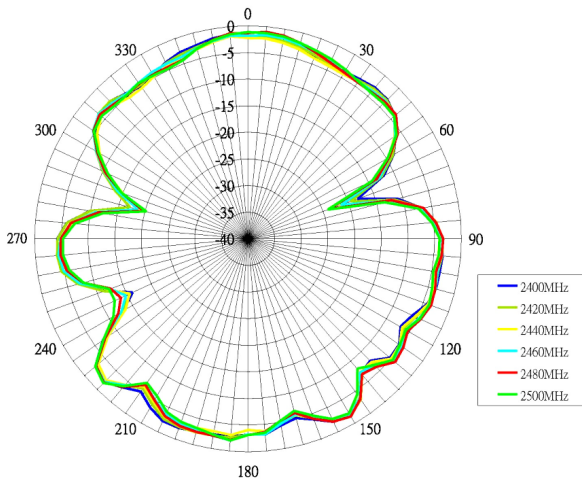
XY Plane



XZ Plane



YZ Plane



Ordering Details

Part Number	Description
DELTA25/X/SMAM/S/RA/35	Wireless LAN and Bluetooth 'Stubby' Right Angle Antenna, SMA Male
DELTA25/X/SMAM/RP/RA/35	Wireless LAN and Bluetooth 'Stubby' Right Angle Antenna, SMA Male RP