

# D-Subminiature Flush Mount Straight PCB Tail



RoHS  
Compliant



## Description:

Flush Mount Straight PCB tail D-Sub connectors are a popular interface for many limited space I/O applications. Offered in 9, 15 and 25 positions they are an excellent choice for a low cost industry standard connection and are ideal for low profile design requirements. Adam Tech connectors are manufactured with precision stamped contacts offering a choice of contact plating and a wide selection of mating and mounting options.

## Features:

- Low profile space saving design
- Industry standard compatibility
- Durable metal shell design
- Precision formed contacts
- Variety of Mating and mounting options

## Specifications:

### Material:

Standard insulator	: PBT, 30% glass reinforced
Optional Hi-Temp insulator	: Nylon 6T
Insulator Colour	: Black
Contacts	: Phosphor Bronze
Shell	: Steel, Tin or Zinc plated
Hardware	: Brass, Nickel plated

### Contact Plating:

Gold Flash (15 and 30µ Optional) over Nickel underplate overall.

### Electrical:

Operating Voltage	: 250V AC / DC max.
Current Rating	: 5A max.
Contact Resistance	: 20mΩ max. Initial
Insulation Resistance	: 5,000MΩ min.
Dielectric withstanding Voltage	: 1,000V AC for 1 minute

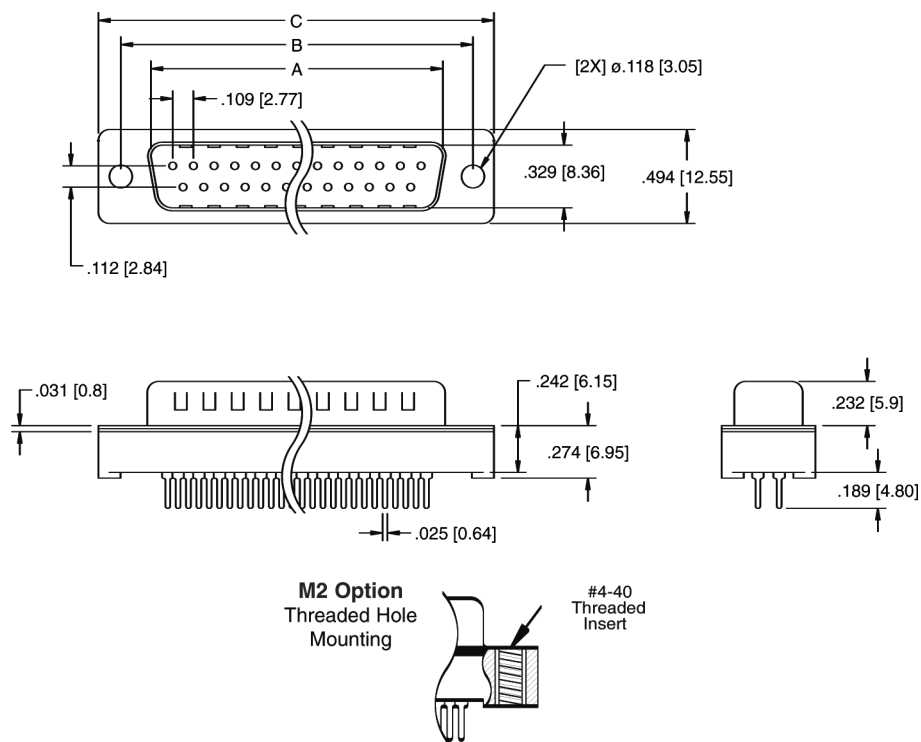
### Mechanical:

Insertion Force	: 0.75lbs max
Extraction Force	: 0.44lbs min

### Temperature Rating:

Operating Temperature	: -65°C to +125°C
Soldering process temperature	: Standard insulator: 235°C Hi-Temp insulator: 260°C

# D-Subminiature Flush Mount Straight PCB Tail



Position	Dimensions		
	A	B	C
9	.666 [16.92]	.984 [24.99]	1.213 [30.81]

Dimensions : Inches (Millimetres)

## Part Number Table

Description	Part Number
D-Subminiature Flush Mount Straight PCB Tail	DE09-PA-M2

**Important Notice :** This data sheet and its contents (the "Information") belong to the members of the Premier Farnell group of companies (the "Group") or are licensed to it. No licence is granted for the use of it other than for information purposes in connection with the products to which it relates. No licence of any intellectual property rights is granted. The Information is subject to change without notice and replaces all data sheets previously supplied. The Information supplied is believed to be accurate but the Group assumes no responsibility for its accuracy or completeness, any error in or omission from it or for any use made of it. Users of this data sheet should check for themselves the Information and the suitability of the products for their purpose and not make any assumptions based on information included or omitted. Liability for loss or damage resulting from any reliance on the Information or use of it (including liability resulting from negligence or where the Group was aware of the possibility of such loss or damage arising) is excluded. This will not operate to limit or restrict the Group's liability for death or personal injury resulting from its negligence. Multicomp is the registered trademark of the Group. © Premier Farnell plc 2012.

www.element14.com  
www.farnell.com  
www.newark.com

