

DC FANS



Wakefield-Vette produces a line of DC axial fans used on fan heat sinks which are commonly used on heatsinks to support BGAs, VGAs and CPU coolers or as chassis fans. The fans range in size from 30x10mm to 120x38mm with the most common sizes in between. The fans are available in 12 volt as the most common, but other voltages (5, 24 and 48) are possible upon request. The standard configurations include 2 wire, 3 wire (tach) or 4 wire (PWM) and can be customized to support any range of connectors.

General Fan Specifications

Operation Temperature:

-10C to +70C (+14F to +158F)

Storage Temperature:

-40C to +70C (-40F to +158F)

Bearing System Life:

2 Ball Bearing: L10 - 70k hrs @ 40C

Materials:

Black PBT(UL94V0), Glass Filled

Lead Wires:

Rating: UL1007 or UL1571, 80C

AWG: 24 or 26 or 28

Wire Length: 300mm +/- 10mm

3 Wire Standard: Red(+), Black(-), Yellow(Tach/FG)

4th wire Optional: Blue (PWM)

Insulation Resistance:

Standard: 10MΩ at 500VDC Minimum(frame to leads)

Dielectric Strength

Standard: 500VAC(50/60Hz) for 60 seconds with 1mA trip current allowable between frame and leads

Noise Data:

All noise readings are taken in dBA at 1meter from air intake side, fan suspended in a semi-anechoic chamber (<16 dBA max)

Protection:

Locked Rotor (Meets UL standard 72 hr test)

Reversed Polarity

Shock and Vibration:

Shock: Meets 100G at 2ms, half sine, X, Y, and Z axis

Vibration: Meets the amplitude of vibration :0.38mm

Frequency: 5-55 Hz

Duration: 60min / axis

Direction: X.Y.Z axis

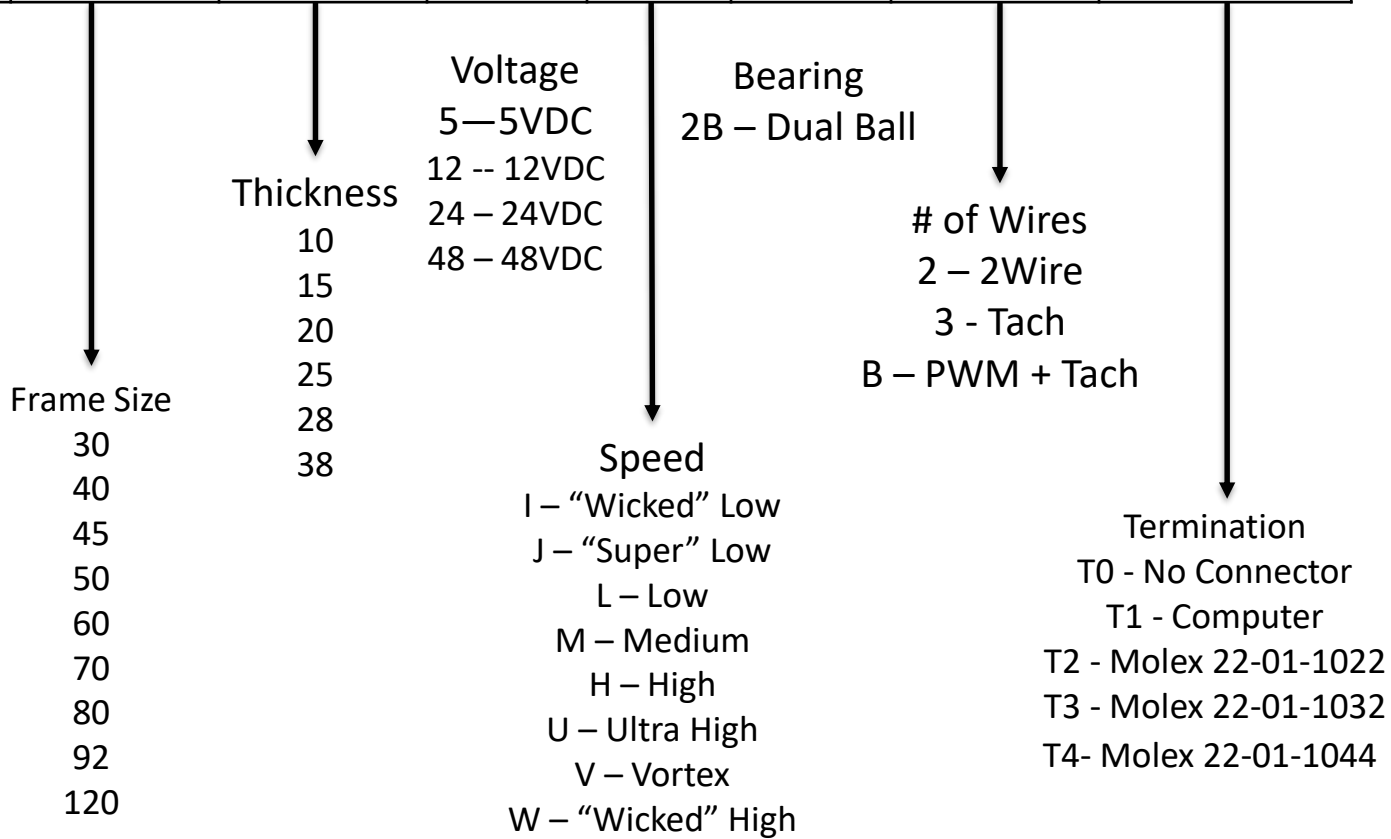


Part Numbering Guide



Example: DC402012H2B-2Tx

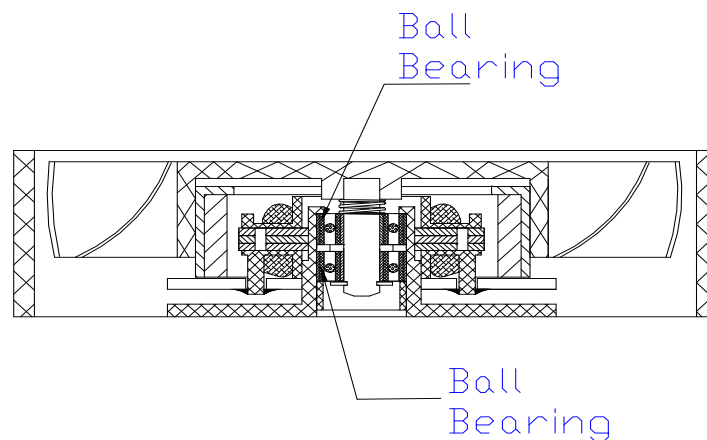
Series	Frame Size(mm)	Thickness(mm)	Voltage	Speed	Bearing	# of Wires	Termination
DC	40	20	12	H	2B	2	Tx



Bearing Information

Dual Ball Bearing

The two ball bearing system is the industry standard for long life with a L10 of 70,000 hours. Other bearing choices, like sleeve or single ball are susceptible to impact damage which is why they can not support the high life requirement of most applications. One advantage of two ball bearing systems is that due to the small point load of the balls, they require less power to start rotation as they have less stiction (starting friction) than other bearing system which means the minimum starting power can be achieved with a lower current.

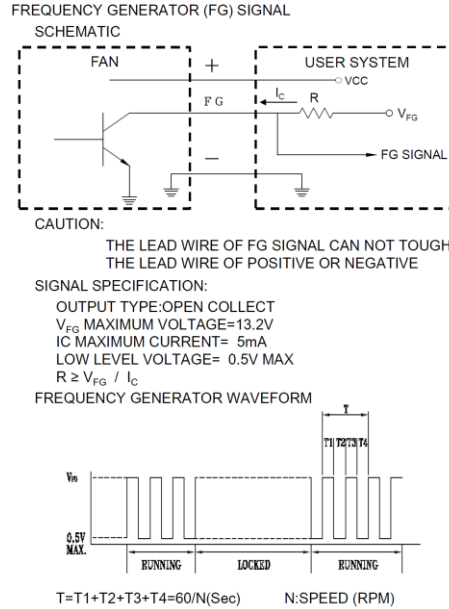


Bearing Lubrication, Wear and Failure

Bearing failure is the most common reason for a fan failure which is why bearing selection is so important. The bearing failure can be caused by multiple factors including lack of lubrication, excessive temperature or direct damage (excessive shock/vibration). A two ball bearing fan is better sealed to prevent the leak of the lubrication fluid than some of the other bearing systems. All fans typically will get noisier and rotate slower as the bearing systems wear and this can be a good indicator of pending bearing failure.

Optional Configuration

- 3 – Tach



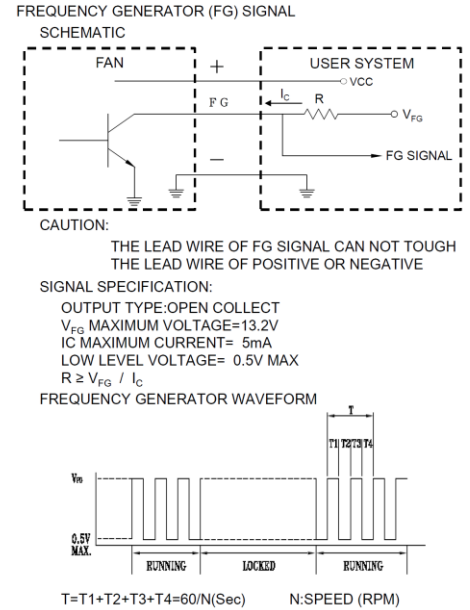
- B – PWM + Tach

PWM CONTROL
SIGNAL DESCRIPTION

- CONTROL SIGNAL: PWM CONTROL
- SIGNAL TYPE:
INPUT HIGH LEVEL VOLTAGE: MIN. >2.6V , MAX. <5V
INPUT LOW LEVEL VOLTAGE: MAX. <0.5V
- PWM FREQUENCY RANGE: 20K~100KHZ
- MAX. SINK CURRENT: 8mA

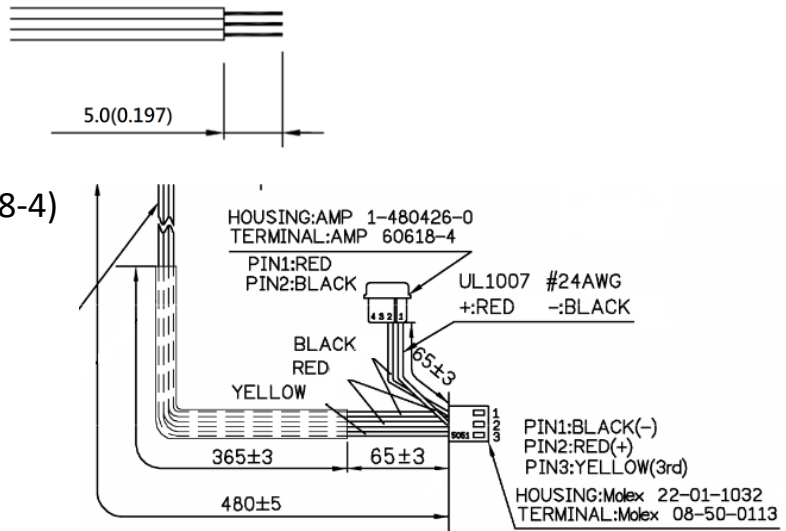
FAN SPEED CONTROL

- INPUT VOLTAGE: 5 VDC
- PWM FREQUENCY : 25 KHZ
- THE FAN SPEED SHOULD RUN AT FULL SPEED GIVEN PWM 100% DUTY CYCLE INPUT.
- THE FAN SPEED SHOULD RUN AT ZERO SPEED GIVEN BELOW PWM 0 % DUTY CYCLE INPUT.
- THE FAN WILL GO TO FULL SPEED WHEN IF THE CONTROL SIGNAL IS DISCONNECTED.



Termination Information

- T0 – 5mm +/-2mm strip length, tinned
- T1 – Computer connector
 - Molex 22-01-1032 with AMP 60618-4)
 - Pin1 – Negative
 - Pin2 – Positive
 - Pin2 –Tachometer
 - AMP 60618-4
 - Pin1 – Positive
 - Pin2 – Negative
- T2 – Molex 22-01-1022
 - Pin1 – Positive
 - Pin2 – Negative
- T3 – Molex 22-01-1032
 - Pin1 – Positive
 - Pin2 – Negative
 - Pin3 – Tachometer
- T4 – Molex 22-01-1044
 - Pin1 – Positive
 - Pin2 – Negative
 - Pin3 – Tachometer
 - Pin4 -- PWM



Typical Ordering Configurations

- 2T0 (2 wire, no connector)
- 2T2 (2 wire, 2 pin connector)
- 3T0 (3 wire, no connector)
- 3T1 (3 wire, computer connector)
- 3T3 (3 wire, 3 pin connector)
- BT0 (4 wire, no connector)
- BT4 (4 wire, 4 pin connector)

Description	Size (mm)	Thickness (mm)	Bearing System	Rated Voltage (VDC)	Rated Current (A)	Rated Power (W)	Rated Speed (RPM)	Max Airflow (CFM)	Max Pressure (InAq)	Noise Level (dB/A)
DC FAN 25x25x10 1.32CFM	25	10	2B	12	0.05	0.6	7000	1.32	0.07	20
DC FAN 25x25x10 1.85CFM	25	10	2B	12	0.06	0.72	10000	1.85	0.17	24
DC FAN 25x25x10 2.41 CFM	25	10	2B	12	0.08	0.96	13000	2.41	0.29	28
DC FAN 30x30x10 2.99CFM	30	10	2B	12	0.03	0.36	6000	2.99	0.09	17
DC FAN 30x30x10 3.73CFM	30	10	2B	12	0.05	0.6	7500	3.73	0.14	24
DC FAN 30x30x10 4.48CFM	30	10	2B	12	0.07	0.84	9000	4.48	0.21	29
DC FAN 30x30x10 5.65 CFM	30	10	2B	12	0.09	1.08	11000	5.65	0.24	31
DC FAN 35x35x10 4.37CFM	35	10	2B	12	0.03	0.36	7000	4.37	0.14	23
DC FAN 35x35x10 5.51CFM	35	10	2B	12	0.04	0.48	8000	5.51	0.18	25
DC FAN 35x35x10 6.3 CFM	35	10	2B	12	0.07	0.84	9000	6.3	0.22	28
DC FAN 38x38x20 6.3CFM	38	20	2B	12	0.1	1.2	6700	6.3	0.22	36
DC FAN 38x38x20 7.4CFM	38	20	2B	12	0.12	1.44	8000	7.4	0.34	40
DC FAN 38x38x20 8.6CFM	38	20	2B	12	0.13	1.56	8900	8.6	0.39	42
DC FAN 38x38x20 9.7 CFM	38	20	2B	12	0.3	3.6	10000	9.7	0.58	43
DC FAN 38x38x28 9.44CFM	38	28	2B	12	0.11	1.32	8000	9.44	0.39	38
DC FAN 38x38x28 12.46CFM	38	28	2B	12	0.15	1.8	10000	12.46	0.63	44
DC FAN 38x38x28 16.3CFM	38	28	2B	12	0.29	3.48	13000	16.3	1.02	51
DC FAN 38x38x28 19.1 CFM	38	28	2B	12	0.48	5.76	15000	19.1	1.37	59
DC FAN 38x38x28 20.8 CFM	38	28	2B	12	0.85	10.2	17000	20.8	1.67	59
DC FAN 40x40x10 4.75CFM	40	10	2B	12	0.1	1.2	4000	4.75	0.06	21
DC FAN 40x40x10 7.24CFM	40	10	2B	12	0.11	1.32	6000	7.24	0.11	26
DC FAN 40x40x10 9.25CFM	40	10	2B	12	0.14	1.68	8000	9.25	0.2	35
DC FAN 40x40x10 12.23 CFM	40	10	2B	12	0.18	2.16	10000	12.23	0.33	39
DC FAN 40x40x15 6.71CFM	40	15	2B	12	0.08	0.96	6000	6.71	0.2	28
DC FAN 40x40x15 8.25CFM	40	15	2B	12	0.12	1.44	7300	8.25	0.29	32
DC FAN 40x40x15 10.45 CFM	40	15	2B	12	0.16	1.92	8600	10.45	0.38	36
DC FAN 40x40x20 9.4CFM	40	20	2B	12	0.08	0.96	8000	9.4	0.35	33
DC FAN 40x40x20 11.7CFM	40	20	2B	12	0.11	1.32	10000	11.7	0.55	40
DC FAN 40x40x20 14.3CFM	40	20	2B	12	0.17	2.04	12000	14.3	0.79	44
DC FAN 40x40x20 16.8CFM	40	20	2B	12	0.25	3	14000	16.8	1.08	49
DC FAN 40x40x20 19.8CFM	40	20	2B	12	0.41	4.92	16000	19.8	1.44	53
DC FAN 40x40x28 13.8CFM	40	28	2B	12	0.14	1.68	8000	13.8	0.46	38
DC FAN 40x40x28 15.9CFM	40	28	2B	12	0.26	3.12	9500	15.9	0.69	44
DC FAN 40x40x28 18.7CFM	40	28	2B	12	0.35	4.2	11000	18.7	0.92	51
DC FAN 40x40x28 23.8CFM	40	28	2B	12	0.55	6.6	13000	23.8	1.32	54
DC FAN 40x40x28 24.8 CFM	40	28	2B	12	0.64	7.68	15000	24.8	1.64	58
DC FAN 40x40x28 29.5CFM	40	28	2B	12	1.1	13.2	21000	29.5	2.89	62
DC FAN 40x40x28 31.3CFM	40	28	2B	12	1.4	16.8	23000	31.3	3.02	64
DC FAN 40x40x56 37.21CFM	40	56	2B	12	1.72	20.64	21000	37.21	3.87	69

See page 6 for termination configurations and typical ordering configurations

Description	Size (mm)	Thickness (mm)	Bearing System	Rated Voltage (VDC)	Rated Current (A)	Rated Power (W)	Rated Speed (RPM)	Max Airflow (CFM)	Max Pressure (InAq)	Noise Level (dB/A)
DC FAN 50x50x10 6.7CFM	50	10	2B	12	0.05	0.6	3500	6.7	0.05	18
DC FAN 50x50x10 8.2CFM	50	10	2B	12	0.07	0.84	4500	8.2	0.09	25
DC FAN 50x50x10 10.5CFM	50	10	2B	12	0.08	0.96	5500	10.5	0.14	30
DC FAN 50x50x10 12.7CFM	50	10	2B	12	0.1	1.2	6500	12.7	0.18	35
DC FAN 50x50x15 9.9CFM	50	15	2B	12	0.06	0.72	3600	9.9	0.08	24
DC FAN 50x50x15 12.2CFM	50	15	2B	12	0.07	0.84	4200	12.2	0.12	27
DC FAN 50x50x15 13.2CFM	50	15	2B	12	0.09	1.08	4800	13.2	0.16	30
DC FAN 50x50x15 15CFM	50	15	2B	12	0.11	1.32	5400	15	0.18	32
DC FAN 50x50x15 17CFM	50	15	2B	12	0.13	1.56	6000	17	0.23	36
DC FAN 50x50x20 10.1CFM	50	20	2B	12	0.1	1.2	4000	10.1	0.1	24
DC FAN 50x50x20 12.7CFM	50	20	2B	12	0.13	1.56	4800	12.7	0.14	28
DC FAN 50x50x20 14.8CFM	50	20	2B	12	0.15	1.8	5600	14.8	0.18	32
DC FAN 50x50x20 17.6CFM	50	20	2B	12	0.21	2.52	6400	17.6	0.25	36
DC FAN 50x50x20 20.3CFM	50	20	2B	12	0.21	2.52	7000	20.3	0.3	38
DC FAN 60x60x10 17.1CFM	60	10	2B	12	0.17	2.04	4200	17.1	0.12	33
DC FAN 60x60x10 19.9CFM	60	10	2B	12	0.2	2.4	4900	19.9	0.16	37
DC FAN 60x60x15 15CFM	60	15	2B	12	0.06	0.72	3000	15	0.09	24
DC FAN 60x60x15 19CFM	60	15	2B	12	0.08	0.96	3500	19	0.14	29
DC FAN 60x60x15 21.7CFM	60	15	2B	12	0.1	1.2	4000	21.7	0.16	32
DC FAN 60x60x15 23.1CFM	60	15	2B	12	0.12	1.44	4500	23.1	0.18	35
DC FAN 60x60x15 26.5CFM	60	15	2B	12	0.17	2.04	5000	26.5	0.23	37
DC FAN 60x60x20 13.5CFM	60	20	2B	12	0.07	0.84	3200	13.5	0.12	24
DC FAN 60x60x20 14.8CFM	60	20	2B	12	0.09	1.08	3600	14.8	0.15	26
DC FAN 60x60x20 16.4CFM	60	20	2B	12	0.11	1.32	4000	16.4	0.19	29
DC FAN 60x60x20 18.1CFM	60	20	2B	12	0.13	1.56	4400	18.1	0.23	31
DC FAN 60x60x20 19.6CFM	60	20	2B	12	0.17	2.04	4800	19.6	0.27	33
DC FAN 60x60x25 17.1CFM	60	25	2B	12	0.08	0.96	3100	17.1	0.12	26
DC FAN 60x60x25 21.5CFM	60	25	2B	12	0.12	1.44	3600	21.5	0.16	31
DC FAN 60x60x25 24CFM	60	25	2B	12	0.15	1.8	4250	24	0.22	34
DC FAN 60x60x25 33.6CFM	60	25	2B	12	0.28	3.36	5000	33.6	0.25	40
DC FAN 60x60x25 43.8CFM	60	25	2B	12	0.45	5.4	6800	43.8	0.56	56
DC FAN 60x60x25 47.9CFM	60	25	2B	12	0.48	5.76	7500	47.9	0.79	63
DC FAN 60x60x25 55.5CFM	60	25	2B	12	0.54	6.48	9800	55.5	1.17	66
DC FAN 60x60x38 43.1CFM	60	38	2B	12	0.52	6.24	8000	43.1	0.9	51
DC FAN 60x60x38 50.8CFM	60	38	2B	12	0.68	8.16	9000	50.8	1.19	54
DC FAN 60x60x38 55.2CFM	60	38	2B	12	1.00	12.00	10000	55.2	1.41	57
DC FAN 60x60x38 67.3CFM	60	38	2B	12	1.38	16.56	12000	67.3	2.07	62

See page 6 for termination configurations and typical ordering configurations

Description	Size (mm)	Thickness (mm)	Bearing System	Rated Voltage (VDC)	Rated Current (A)	Rated Power (W)	Rated Speed (RPM)	Max Airflow (CFM)	Max Pressure (InAq)	Noise Level (dB/A)
DC FAN 70x70x15 21.1CFM	70	15	2B	12	0.1	1.2	2800	21.1	0.09	27
DC FAN 70x70x15 25.7CFM	70	15	2B	12	0.12	1.44	3300	25.7	0.13	31
DC FAN 70x70x15 29.6CFM	70	15	2B	12	0.17	2.04	3800	29.6	0.17	35
DC FAN 70x70x15 33.5CFM	70	15	2B	12	0.25	3	4300	33.5	0.22	39
DC FAN 70x70x25 30CFM	70	25	2B	12	0.07	0.84	3000	30	0.15	27
DC FAN 70x70x25 35.6CFM	70	25	2B	12	0.09	1.08	3600	35.6	0.22	32
DC FAN 70x70x25 39.9CFM	70	25	2B	12	0.13	1.56	4000	39.9	0.27	37
DC FAN 70x70x25 54.8CFM	70	25	2B	12	0.16	1.92	5500	54.8	0.5	45
DC FAN 80x80x15 22CFM	80	15	2B	12	0.06	0.72	2400	22	0.05	25
DC FAN 80x80x15 27.5CFM	80	15	2B	12	0.1	1.2	2700	27.5	0.09	30
DC FAN 80x80x15 31.5CFM	80	15	2B	12	0.12	1.44	3100	31.5	0.1	32
DC FAN 80x80x15 37.6CFM	80	15	2B	12	0.16	1.92	3600	37.6	0.15	36
DC FAN 80x80x15 45.2CFM	80	15	2B	12	0.3	3.6	4500	45.2	0.21	43
DC FAN 80x80x20 27.4CFM	80	20	2B	12	0.13	1.56	2400	27.4	0.09	25
DC FAN 80x80x20 31.2CFM	80	20	2B	12	0.16	1.92	2700	31.2	0.11	29
DC FAN 80x80x20 36.9CFM	80	20	2B	12	0.18	2.16	3100	36.9	0.15	34
DC FAN 80x80x20 40.5CFM	80	20	2B	12	0.24	2.88	3400	40.5	0.18	36
DC FAN 80x80x20 51.2CFM	80	20	2B	12	0.3	3.6	4300	51.2	0.28	43
DC FAN 80x80x25 47.5CFM	80	25	2B	12	0.2	2.4	3500	47.5	0.14	35
DC FAN 80x80x25 55.8CFM	80	25	2B	12	0.32	3.84	4000	55.8	0.18	37
DC FAN 80x80x25 66.4CFM	80	25	2B	12	0.4	4.8	4500	66.4	0.22	42
DC FAN 80x80x25 69.9CFM	80	25	2B	12	0.65	7.8	5000	69.9	0.26	44
DC FAN 80x80x25 74.3CFM	80	25	2B	12	0.81	9.72	5500	74.3	0.27	46
DC FAN 80x80x25 83.6CFM	80	25	2B	12	1	12	6500	83.6	0.38	50
DC FAN 80x80x32 38.2CFM	80	32	2B	12	0.15	1.8	3000	38.2	0.2	31
DC FAN 80x80x32 49.7CFM	80	32	2B	12	0.2	2.4	4000	49.7	0.35	39
DC FAN 80x80x32 60.4CFM	80	32	2B	12	0.35	4.2	4800	60.4	0.45	45
DC FAN 80x80x32 69.1CFM	80	32	2B	12	0.5	6	5500	69.1	0.61	48
DC FAN 80x80x32 86.7CFM	80	32	2B	12	0.8	9.6	6800	86.7	0.89	54
DC FAN 80x80x38 58.2CFM	80	38	2B	12	0.4	4.8	4200	58.2	0.41	45
DC FAN 80x80x38 78.8CFM	80	38	2B	12	0.76	9.12	5600	78.8	0.76	53
DC FAN 80x80x38 84.8CFM	80	38	2B	12	1	12	6100	84.8	0.89	56
DC FAN 80x80x38 105.5CFM	80	38	2B	12	1.5	18	7500	105.5	1.36	62
DC FAN 80x80x38 130CFM	80	38	2B	12	2.7	32.4	9000	130	2	66

See page 6 for termination configurations and typical ordering configurations

Description	Size (mm)	Thickness (mm)	Bearing System	Rated Voltage (VDC)	Rated Current (A)	Rated Power (W)	Rated Speed (RPM)	Max Airflow (CFM)	Max Pressure (InAq)	Noise Level (dB/A)
DC FAN 92x92x25 39.2CFM	92	25	2B	12	0.09	1.08	2100	39.2	0.09	25
DC FAN 92x92x25 44.8CFM	92	25	2B	12	0.11	1.32	2450	44.8	0.12	30
DC FAN 92x92x25 52.1CFM	92	25	2B	12	0.14	1.68	2850	52.1	0.17	34
DC FAN 92x92x25 58.3CFM	92	25	2B	12	0.2	2.4	3200	58.3	0.22	38
DC FAN 92x92x25 69.2CFM	92	25	2B	12	0.3	3.6	3800	69.2	0.28	45
DC FAN 92x92x25 81CFM	92	25	2B	12	0.41	4.92	4500	81	0.4	49
DC FAN 92x92x38 97.1CFM	92	38	2B	12	0.5	6	4300	97.1	0.7	52
DC FAN 92x92x38 109.2CFM	92	38	2B	12	0.9	10.8	5000	109.2	0.86	58
DC FAN 92x92x38 123.4CFM	92	38	2B	12	1.2	14.4	6000	123.4	1.12	64
DC FAN 92x92x38 145.6CFM	92	38	2B	12	2.5	30	7000	145.6	1.46	67
DC FAN 92x92x38 166.4CFM	92	38	2B	12	2.95	35.4	8000	166.4	1.91	72
DC FAN 120x120x25 67.7CFM	120	25	2B	12	0.2	2.4	2100	67.7	0.17	35
DC FAN 120x120x25 77.2CFM	120	25	2B	12	0.3	3.6	2500	77.2	0.23	39
DC FAN 120x120x25 86.7CFM	120	25	2B	12	0.48	5.76	2800	86.7	0.28	42
DC FAN 120x120x25 103.9CFM	120	25	2B	12	0.5	6	3400	103.9	0.4	47
DC FAN 120x120x25 114.8CFM	120	25	2B	12	0.62	7.44	3700	114.8	0.46	50
DC FAN 120x120x25 121.1CFM	120	25	2B	12	0.65	7.8	4000	121.1	0.51	52
DC FAN 120x120x38 101.4CFM	120	38	2B	12	0.18	2.16	2300	101.4	0.3	38
DC FAN 120x120x38 114.7CFM	120	38	2B	12	0.4	4.8	2600	114.7	0.41	41
DC FAN 120x120x38 123.2CFM	120	38	2B	12	0.75	9	2900	123.2	0.45	44
DC FAN 120x120x38 135.9CFM	120	38	2B	12	0.8	9.6	3200	135.9	0.54	48
DC FAN 120x120x38 178.4CFM	120	38	2B	12	1.55	18.6	4200	178.4	0.94	54
DC FAN 120x120x38 190.5CFM	120	38	2B	12	1.5	18	4100	190.5	0.69	56
DC FAN 120x120x38 212.6CFM	120	38	2B	12	1.75	21	4600	212.6	0.84	59

See page 6 for termination configurations and typical ordering configurations

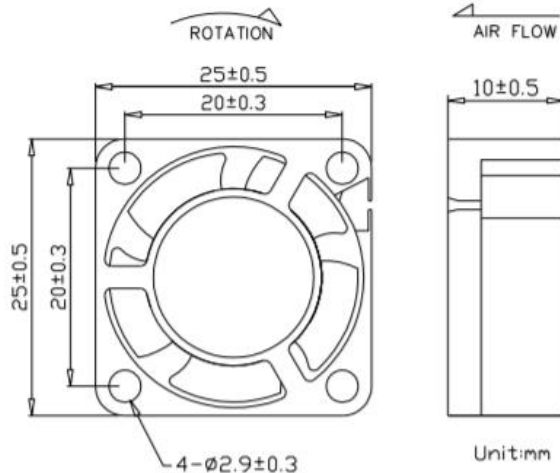
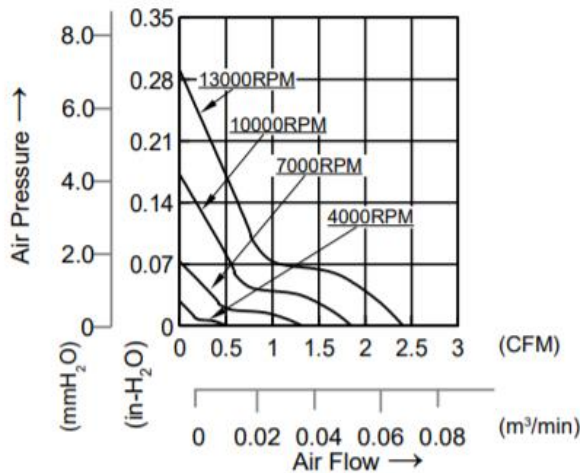
25x25x10mm



- MOTOR : DC single phase brushless motor
- FRAME : PBT (94V-0) ; IMPELLER : PBT(94V-0)
- OPERATING TEMP.: -10°C~70°C
- STORAGE TEMP.: -40°C~70°C
- WEIGHT : 8g
- Dual Ball Bearing
- Lead Length: 300mm +/- 10mm
- 2 Wire: Standard
- 3rd Wire: Tach (FG) Optional
- 4 wire PWM Optional

WV Part Number	Description	Size (mm)	Thickness (mm)	Rated Voltage (VDC)	Rated Current (A)	Rated Power (W)	Rated Speed (RPM)	Speed Code	Max Airflow (CFM)	Max Pressure (InAq)	Noise Level (dB/A)	Tach	PWM Capable
DC0251012L2B	DC FAN 25x25x10 1.32CFM	25	10	12	0.05	0.6	7000	L	1.32	0.07	20	3	B
DC0251012M2B	DC FAN 25x25x10 1.85CFM	25	10	12	0.06	0.72	10000	M	1.85	0.17	24	3	B
DC0251012H2B	DC FAN 25x25x10 2.41 CFM	25	10	12	0.08	0.96	13000	H	2.41	0.29	28	3	B

See page 6 for termination configurations and typical ordering configurations



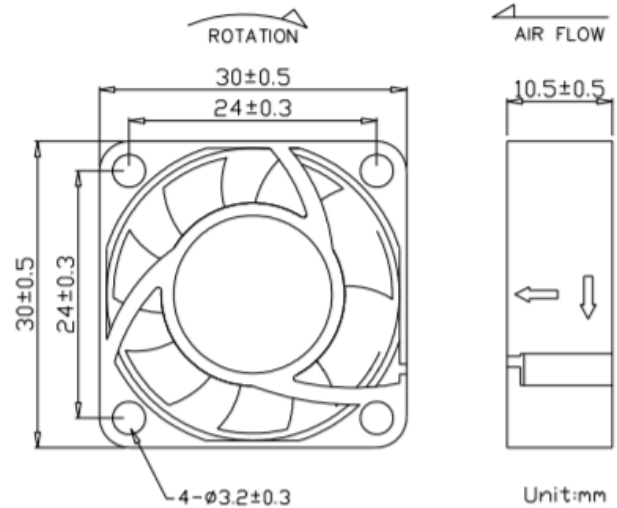
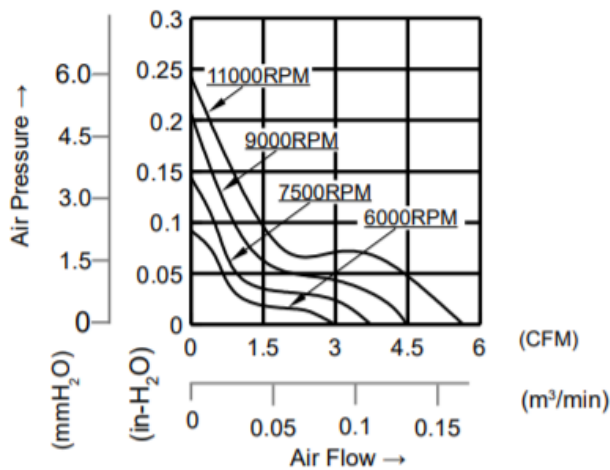
30x30x10mm



- MOTOR : DC single phase brushless motor
- FRAME : PBT (94V-0) ; IMPELLER : PBT(94V-0)
- OPERATING TEMP.: -10°C~70°C
- STORAGE TEMP.: -40°C~70°C
- WEIGHT : 10g
- Dual Ball Bearing
- Lead Length: 300mm +/- 10mm
- 2 Wire: Standard
- 3rd Wire: Tach (FG) Optional
- 4 wire PWM Optional

WV Part Number	Description	Size (mm)	Thickness (mm)	Rated Voltage (VDC)	Rated Current (A)	Rated Power (W)	Rated Speed (RPM)	Speed Code	Max Airflow (CFM)	Max Pressure (InAq)	Noise Level (dB/A)	Tach	PWM Capable
DC0301012L2B	DC FAN 30x30x10 2.99CFM	30	10	12	0.03	0.36	6000	L	2.99	0.09	17	3	B
DC0301012M2BDC	FAN 30x30x10 3.73CFM	30	10	12	0.05	0.6	7500	M	3.73	0.14	24	3	B
DC0301012H2B	DC FAN 30x30x10 4.48CFM	30	10	12	0.07	0.84	9000	H	4.48	0.21	29	3	B
DC0301012U2B	DC FAN 30x30x10 5.65 CFM	30	10	12	0.09	1.08	11000	U	5.65	0.24	31	3	B

See page 6 for termination configurations and typical ordering configurations



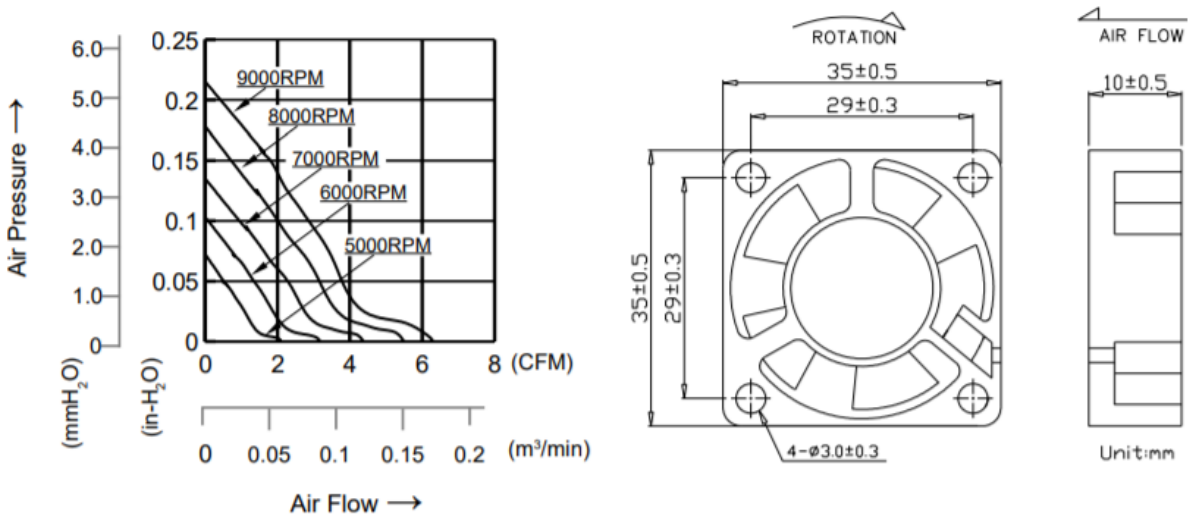
35x35x10mm



- MOTOR : DC single phase brushless motor
- FRAME : PBT (94V-0) ; IMPELLER : PBT(94V-0)
- OPERATING TEMP.: -10°C~70°C
- STORAGE TEMP.: -40°C~70°C
- WEIGHT : 11g
- Dual Ball Bearing
- Lead Length: 300mm +/- 10mm
- 2 Wire: Standard
- 3rd Wire: Tach (FG) Optional
- 4 wire PWM Optional

WV Part Number	Description	Size (mm)	Thickness (mm)	Rated Voltage (VDC)	Rated Current (A)	Rated Power (W)	Rated Speed (RPM)	Speed Code	Max Airflow (CFM)	Max Pressure (InAq)	Noise Level (dB/A)	Tach	PWM Capable
DC0351012U2B	DC FAN 35x35x10 4.37CFM	35	10	12	0.03	0.36	7000	U	4.37	0.14	23	3	B
DC0351012V2B	DC FAN 35x35x10 5.51CFM	35	10	12	0.04	0.48	8000	V	5.51	0.18	25	3	B
DC0351012W2BDC	FAN 35x35x10 6.3 CFM	35	10	12	0.07	0.84	9000	W	6.3	0.22	28	3	B

See page 6 for termination configurations and typical ordering configurations



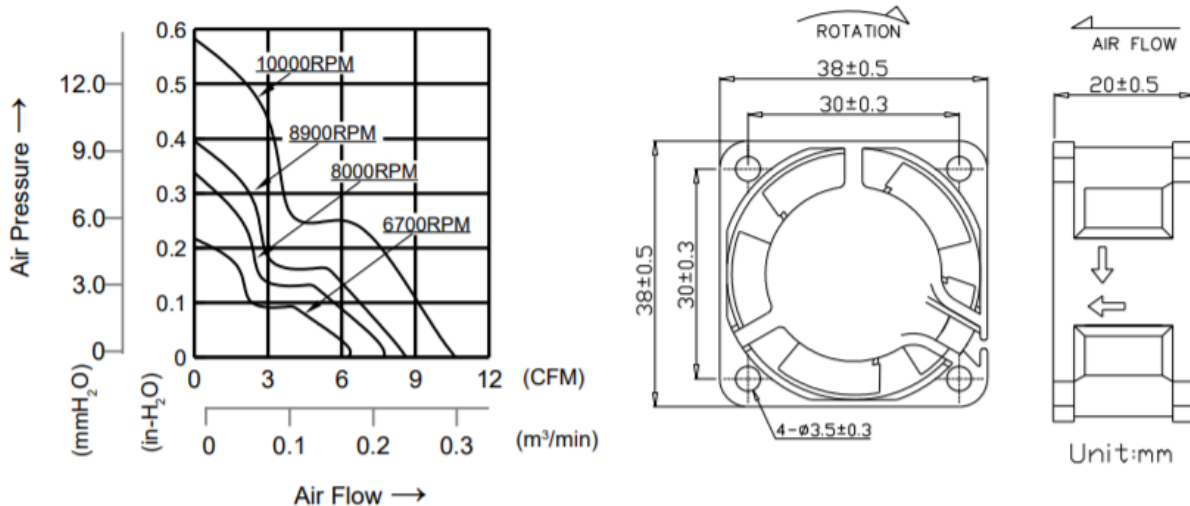
38x38x20mm



- MOTOR : DC single phase brushless motor
- FRAME : PBT (94V-0) ; IMPELLER : PBT(94V-0)
- OPERATING TEMP.: -10°C~70°C
- STORAGE TEMP.: -40°C~70°C
- WEIGHT : 31g
- Dual Ball Bearing
- Lead Length: 300mm +/- 10mm
- 2 Wire: Standard
- 3rd Wire: Tach (FG) Optional
- 4 wire PWM Optional

WV Part Number	Description	Size (mm)	Thickness (mm)	Rated Voltage (VDC)	Rated Current (A)	Rated Power (W)	Rated Speed (RPM)	Speed Code	Max Airflow (CFM)	Max Pressure (InAq)	Noise Level (dB/A)	Tach	PWM Capable
DC0382012L2B	DC FAN 38x38x20 6.3CFM	38	20	12	0.1	1.2	6700	L	6.3	0.22	36	3	B
DC0382012M2B	DC FAN 38x38x20 7.4CFM	38	20	12	0.12	1.44	8000	M	7.4	0.34	40	3	B
DC0382012H2B	DC FAN 38x38x20 8.6CFM	38	20	12	0.13	1.56	8900	H	8.6	0.39	42	3	B
DC0382012U2B	DC FAN 38x38x20 9.7 CFM	38	20	12	0.3	3.6	10000	U	9.7	0.58	43	3	B

See page 6 for termination configurations and typical ordering configurations



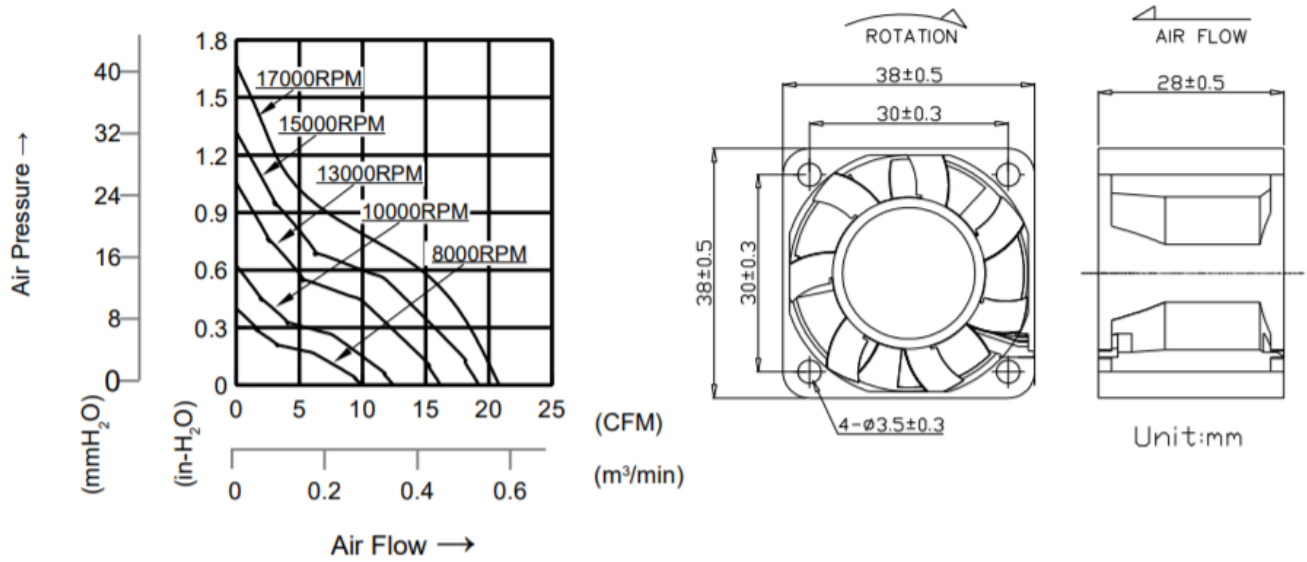
38x38x28mm



- MOTOR : DC single phase brushless motor
- FRAME : PBT (94V-0) ; IMPELLER : PBT(94V-0)
- OPERATING TEMP.: -10°C~70°C
- STORAGE TEMP.: -40°C~70°C
- WEIGHT : 31g
- Dual Ball Bearing
- Lead Length: 300mm +/- 10mm
- 2 Wire: Standard
- 3rd Wire: Tach (FG) Optional
- 4 wire PWM Optional

WV Part Number	Description	Size (mm)	Thickness (mm)	Rated Voltage (VDC)	Rated Current (A)	Rated Power (W)	Rated Speed (RPM)	Speed Code	Max Airflow (CFM)	Max Pressure (InAq)	Noise Level (dB/A)	Tach	PWM Capable
DC0382812L2B	DC FAN 38x38x28 9.44CFM	38	28	12	0.11	1.32	8000	L	9.44	0.39	38	3	B
DC0382812M2BDC	FAN 38x38x28 12.46CFM	38	28	12	0.15	1.8	10000	M	12.46	0.63	44	3	B
DC0382812H2B	DC FAN 38x38x28 16.3CFM	38	28	12	0.29	3.48	13000	H	16.3	1.02	51	3	B
DC0382812U2B	DC FAN 38x38x28 19.1CFM	38	28	12	0.48	5.76	15000	U	19.16	1.37	55	3	B
DC0382812V2B	DC FAN 38x38x28 20.8 CFM	38	28	12	0.85	10.2	17000	V	20.8	1.67	59	3	B

See page 6 for termination configurations and typical ordering configurations



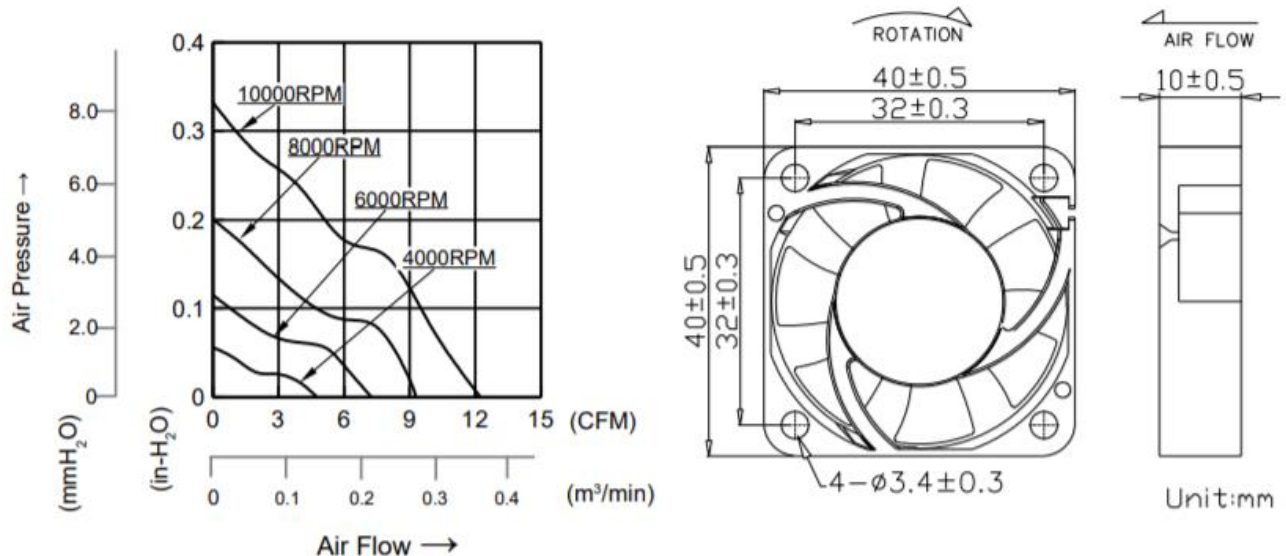
40x40x10mm



- MOTOR : DC single phase brushless motor
- FRAME : PBT (94V-0) ; IMPELLER : PBT(94V-0)
- OPERATING TEMP.: -10°C~70°C
- STORAGE TEMP.: -40°C~70°C
- WEIGHT : 20g
- Dual Ball Bearing
- Lead Length: 300mm +/- 10mm
- 2 Wire: Standard
- 3rd Wire: Tach (FG) Optional
- 4 wire PWM Optional

WV Part Number	Description	Size (mm)	Thickness (mm)	Rated Voltage (VDC)	Rated Current (A)	Rated Power (W)	Rated Speed (RPM)	Speed Code	Max Airflow (CFM)	Max Pressure (InAq)	Noise Level (dB/A)	Tach	PWM Included
DC0401012M2B	DC FAN 40x40x10 4.75CFM	40	10	12	0.1	1.2	4000	M	4.75	0.06	21	3	B
DC0401012H2B	DC FAN 40x40x10 7.24CFM	40	10	12	0.11	1.32	6000	H	7.24	0.11	26	3	B
DC0401012U2B	DC FAN 40x40x10 9.25CFM	40	10	12	0.14	1.68	8000	U	9.25	0.2	35	3	B
DC0401012V2B	DC FAN 40x40x10 12.23 CFM	40	10	12	0.18	2.16	10000	V	12.23	0.33	39	3	B

See page 6 for termination configurations and typical ordering configurations



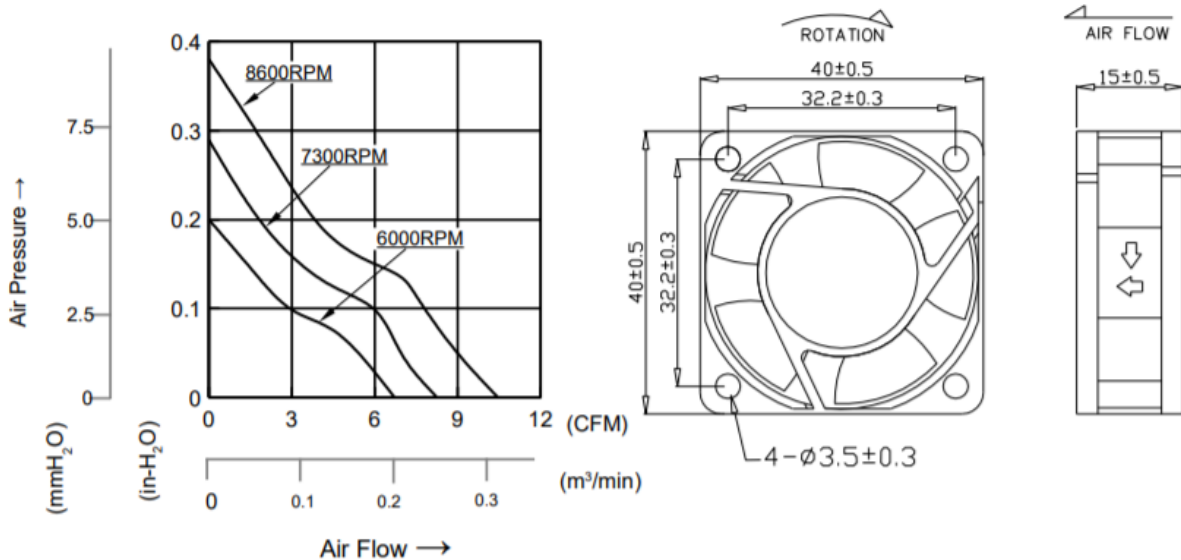
40x040x15mm



- MOTOR : DC single phase brushless motor
- FRAME : PBT (94V-0) ; IMPELLER : PBT(94V-0)
- OPERATING TEMP.: -10°C~70°C
- STORAGE TEMP.: -40°C~70°C
- WEIGHT : 20g
- Dual Ball Bearing
- Lead Length: 300mm +/- 10mm
- 2 Wire: Standard
- 3rd Wire: Tach (FG) Optional
- 4 wire PWM Optional

WV Part Number	Description	Size (mm)	Thickness (mm)	Rated Voltage (VDC)	Rated Current (A)	Rated Power (W)	Rated Speed (RPM)	Speed Code	Max Airflow (CFM)	Max Pressure (InAq)	Noise Level (dB/A)	Tach	PWM Included
DC0401512L2B	DC FAN 40x40x15 6.71CFM	40	15	12	0.08	0.96	6000	L	6.71	0.2	28	3	B
DC0401512M2B	DC FAN 40x40x15 8.25CFM	40	15	12	0.12	1.44	7300	M	8.25	0.29	32	3	B
DC0401512H2B	DC FAN 40x40x15 10.45 CFM	40	15	12	0.16	1.92	8600	H	10.45	0.38	36	3	B

See page 6 for termination configurations and typical ordering configurations



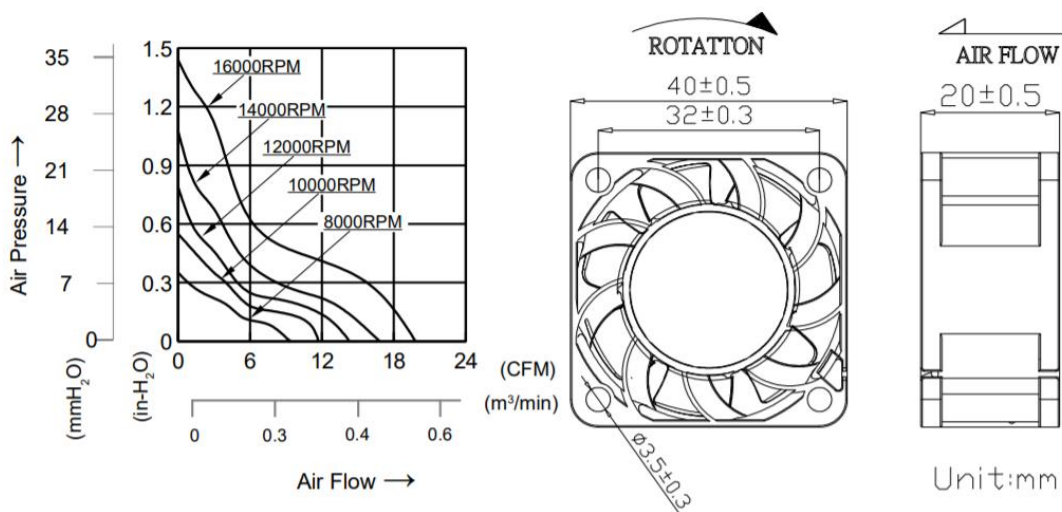
40x40x20mm



- MOTOR : DC single phase brushless motor
- FRAME : PBT (94V-0) ; IMPELLER : PBT(94V-0)
- OPERATING TEMP.: -10°C~70°C
- STORAGE TEMP.: -40°C~70°C
- WEIGHT : 20g
- Dual Ball Bearing
- Lead Length: 300mm +/- 10mm
- 2 Wire: Standard
- 3rd Wire: Tach (FG) Optional
- 4 wire PWM Optional

WV Part Number	Description	Size (mm)	Thickness (mm)	Rated Voltage (VDC)	Rated Current (A)	Rated Power (W)	Rated Speed (RPM)	Speed Code	Max Airflow (CFM)	Max Pressure (InAq)	Noise Level (dB/A)	Tach Included	PWM
DC0402012L2B	DC FAN 40x40x20 9.4CFM	40	20	12	0.08	0.96	8000	L	9.4	0.35	33	3	B
DC0402012M2B	DC FAN 40x40x20 11.7CFM	40	20	12	0.11	1.32	10000	M	11.7	0.55	40	3	B
DC0402012H2B	DC FAN 40x40x20 14.3CFM	40	20	12	0.17	2.04	12000	H	14.3	0.79	44	3	B
DC0402012U2B	DC FAN 40x40x20 16.8CFM	40	20	12	0.25	3	14000	U	16.8	1.08	49	3	B
DC0402012V2B	DC FAN 40x40x20 19.8CFM	40	20	12	0.41	4.92	16000	V	19.8	1.44	53	3	B

See page 6 for termination configurations and typical ordering configurations



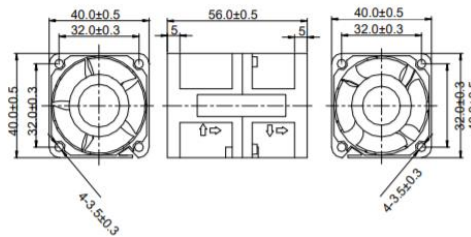
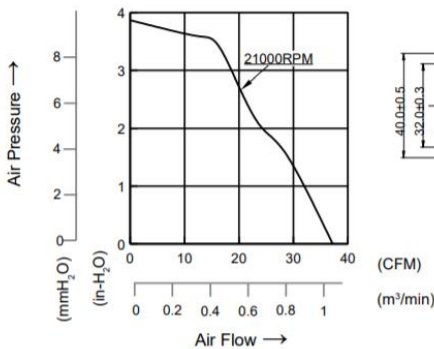
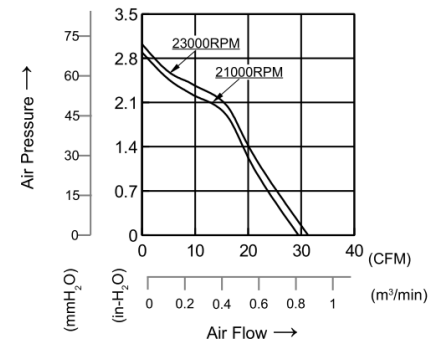
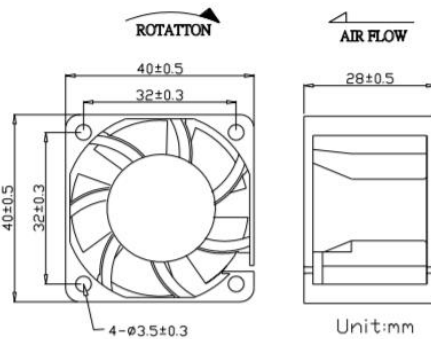
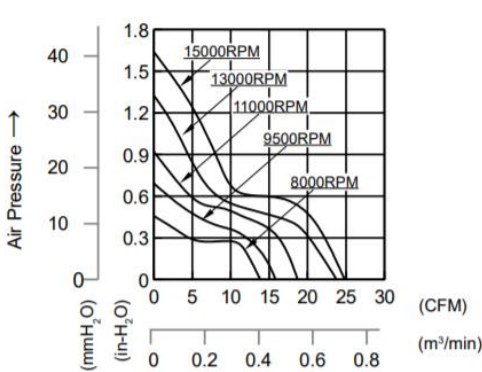
40x40x26mm and 40x40x56mm



- MOTOR : DC single phase brushless motor
- FRAME : PBT (94V-0) ; IMPELLER : PBT(94V-0)
- OPERATING TEMP.: -10°C~70°C
- STORAGE TEMP.: -40°C~70°C
- WEIGHT : 49-85g
- Dual Ball Bearing
- Lead Length: 300mm +/- 10mm
- 2 Wire: Standard
- 3rd Wire: Tach (FG) Optional
- 4 wire PWM Optional

WV Part Number	Description	Size (mm)	Thickness (mm)	Rated Voltage (VDC)	Rated Current (A)	Rated Power (W)	Rated Speed (RPM)	Speed Code	Max Airflow (CFM)	Max Pressure (InAq)	Noise Level (dB/A)	Tach	PWM Included
DC0402812J2B	DC FAN 40x40x28 13.8CFM	40	28	12	0.14	1.68	8000	J	13.8	0.46	38	3	B
DC0402812L2B	DC FAN 40x40x28 15.9CFM	40	28	12	0.26	3.12	9500	L	15.9	0.69	44	3	B
DC0402812M2B	DC FAN 40x40x28 18.7CFM	40	28	12	0.35	4.2	11000	M	18.7	0.92	51	3	B
DC0402812H2B	DC FAN 40x40x28 23.8CFM	40	28	12	0.55	6.6	13000	H	23.8	1.32	54	3	B
DC0402812U2B	DC FAN 40x40x28 24.8 CFM	40	28	12	0.64	7.68	15000	U	24.8	1.64	58	3	B
DC0402812V2B	DC FAN 40x40x28 29.5CFM	40	28	12	1.1	13.2	21000	V	29.5	2.89	62	3	B
DC0402812W2B	DC FAN 40x40x28 31.3CFM	40	28	12	1.4	16.8	23000	W	31.3	3.02	64	3	B
DC0405612U2B	DC FAN 40x40x56 37.21CFM	40	56	12	1.72	20.64	21000	U	37.21	3.87	69	3	B

See page 6 for termination configurations and typical ordering configurations



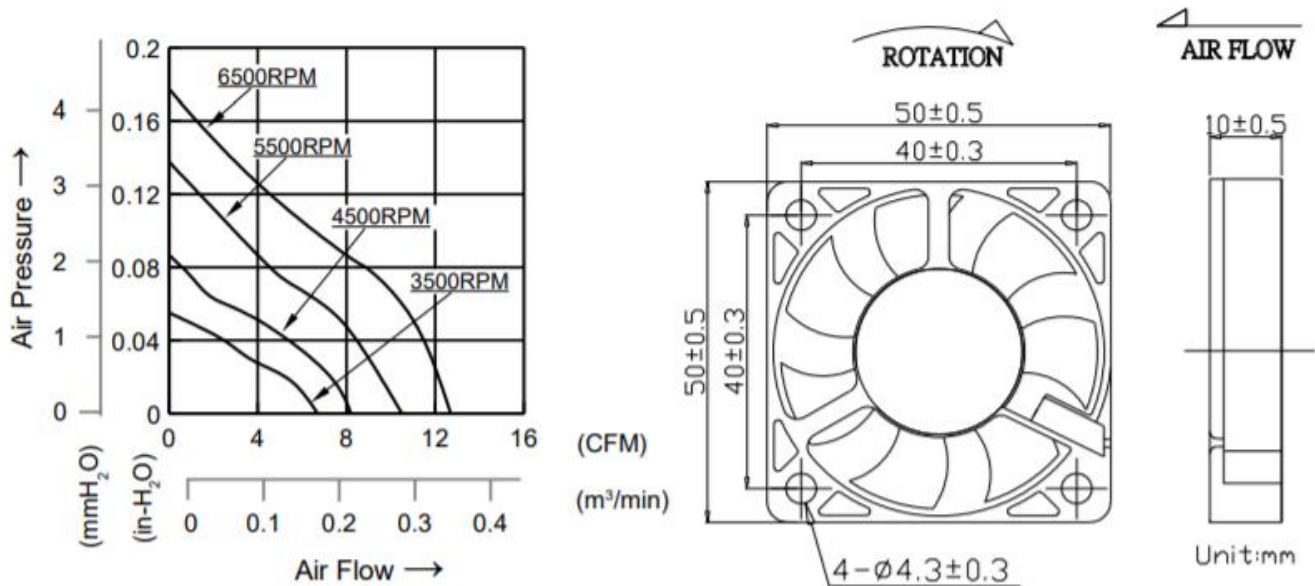
50x50x10mm



- MOTOR : DC single phase brushless motor
- FRAME : PBT (94V-0) ; IMPELLER : PBT(94V-0)
- OPERATING TEMP.: -10°C~70°C
- STORAGE TEMP.: -40°C~70°C
- WEIGHT : 32g
- Dual Ball Bearing
- Lead Length: 300mm +/- 10mm
- 2 Wire: Standard
- 3rd Wire: Tach (FG) Optional
- 4 wire PWM Optional

WV Part Number	Description	Size (mm)	Thickness (mm)	Rated Voltage (VDC)	Rated Current (A)	Rated Power (W)	Rated Speed (RPM)	Speed Code	Max Airflow (CFM)	Max Pressure (InAq)	Noise Level (dB/A)	Tach	PWM Included
DC0501012J2B	DC FAN 50x50x10 6.7CFM	50	10	12	0.05	0.6	3500	J	6.7	0.05	18	3	B
DC0501012L2B	DC FAN 50x50x10 8.2CFM	50	10	12	0.07	0.84	4500	L	8.2	0.09	25	3	B
DC0501012M2BDC	FAN 50x50x10 10.5CFM	50	10	12	0.08	0.96	5500	M	10.5	0.14	30	3	B
DC0501012H2B	DC FAN 50x50x10 12.7CFM	50	10	12	0.1	1.2	6500	H	12.7	0.18	35	3	B

See page 6 for termination configurations and typical ordering configurations



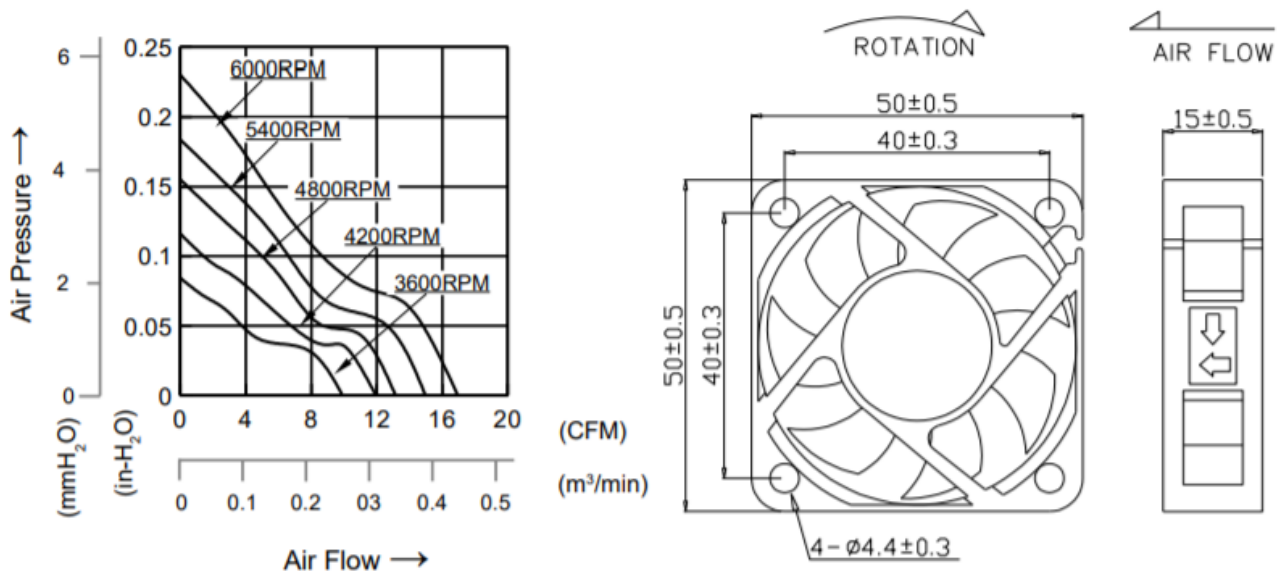
50x50x15mm



- MOTOR : DC single phase brushless motor
- FRAME : PBT (94V-0) ; IMPELLER : PBT(94V-0)
- OPERATING TEMP.: -10°C~70°C
- STORAGE TEMP.: -40°C~70°C
- WEIGHT : 38g
- Dual Ball Bearing
- Lead Length: 300mm +/- 10mm
- 2 Wire: Standard
- 3rd Wire: Tach (FG) Optional
- 4 wire PWM Optional

WV Part Number	Description	Size (mm)	Thickness (mm)	Rated Voltage (VDC)	Rated Current (A)	Rated Power (W)	Rated Speed (RPM)	Speed Code	Max Airflow (CFM)	Max Pressure (InAq)	Noise Level (dB/A)	Tach Included	PWM
DC0501512J2B	DC FAN 50x50x15 9.9CFM	50	15	12	0.06	0.72	3600	J	9.9	0.08	24	3	B
DC0501512L2B	DC FAN 50x50x15 12.2CFM	50	15	12	0.07	0.84	4200	L	12.2	0.12	27	3	B
DC0501512M2B	DC FAN 50x50x15 13.2CFM	50	15	12	0.09	1.08	4800	M	13.2	0.16	30	3	B
DC0501512H2B	DC FAN 50x50x15 15CFM	50	15	12	0.11	1.32	5400	H	15	0.18	32	3	B
DC0501212U2B	DC FAN 50x50x15 17CFM	50	15	12	0.13	1.56	6000	U	17	0.23	36	3	B

See page 6 for termination configurations and typical ordering configurations



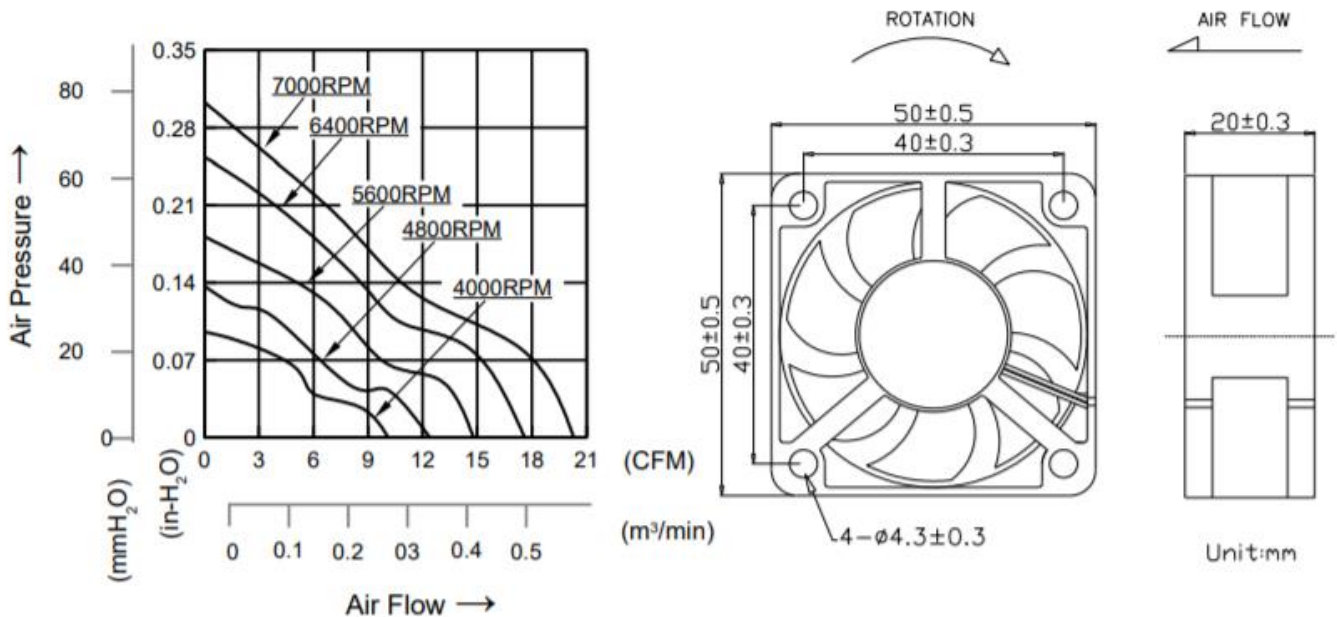
50x50x20mm



- MOTOR : DC single phase brushless motor
- FRAME : PBT (94V-0) ; IMPELLER : PBT(94V-0)
- OPERATING TEMP.: -10°C~70°C
- STORAGE TEMP.: -40°C~70°C
- WEIGHT : 40g
- Dual Ball Bearing
- Lead Length: 300mm +/- 10mm
- 2 Wire: Standard
- 3rd Wire: Tach (FG) Optional
- 4 wire PWM Optional

WV Part Number	Description	Size (mm)	Thickness (mm)	Rated Voltage (VDC)	Rated Current (A)	Rated Power (W)	Rated Speed (RPM)	Speed Code	Max Airflow (CFM)	Max Pressure (InAq)	Noise Level (dB/A)	Tach	PWM Included
DC0502012I2B	DC FAN 50x50x20 10.1CFM	50	20	12	0.1	1.2	4000	I	10.1	0.1	24	3	B
DC0502012J2B	DC FAN 50x50x20 12.7CFM	50	20	12	0.13	1.56	4800	J	12.7	0.14	28	3	B
DC0502012L2B	DC FAN 50x50x20 14.8CFM	50	20	12	0.15	1.8	5600	L	14.8	0.18	32	3	B
DC0502012M2B	DC FAN 50x50x20 17.6CFM	50	20	12	0.21	2.52	6400	M	17.6	0.25	36	3	B
DC0502012H2B	DC FAN 50x50x20 20.3CFM	50	20	12	0.21	2.52	7000	H	20.3	0.3	38	3	B

See page 6 for termination configurations and typical ordering configurations



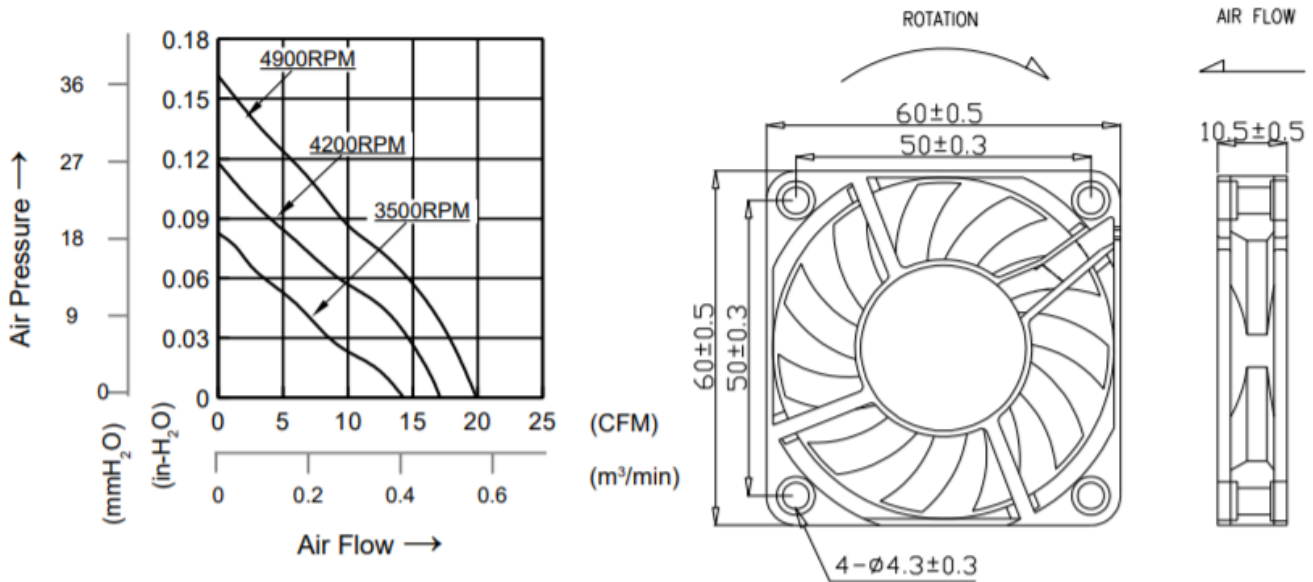
60x60x10mm



- MOTOR : DC single phase brushless motor
- FRAME : PBT (94V-0) ; IMPELLER : PBT(94V-0)
- OPERATING TEMP.: -10°C~70°C
- STORAGE TEMP.: -40°C~70°C
- WEIGHT : 40g
- Dual Ball Bearing
- Lead Length: 300mm +/- 10mm
- 2 Wire: Standard
- 3rd Wire: Tach (FG) Optional
- 4 wire PWM Optional

WV Part Number	Description	Size (mm)	Thickness (mm)	Rated Voltage (VDC)	Rated Current (A)	Rated Power (W)	Rated Speed (RPM)	Speed Code	Max Airflow (CFM)	Max Pressure (InAq)	Noise Level (dB/A)	Tach	PWM Included
DC0601012M2B	DC FAN 60x60x10 17.1CFM	60	10	12	0.17	2.04	4200	M	17.1	0.12	33	3	B
DC0601012U2B	DC FAN 60x60x10 19.9CFM	60	10	12	0.2	2.4	4900	U	19.9	0.16	37	3	B

See page 6 for termination configurations and typical ordering configurations



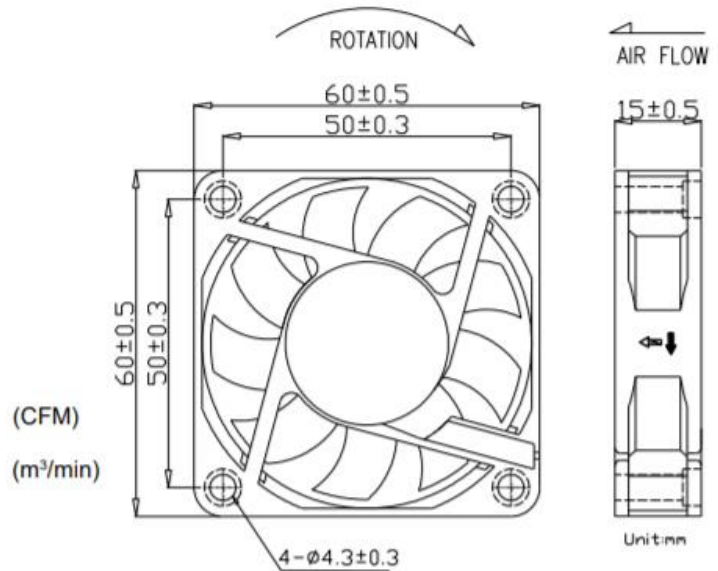
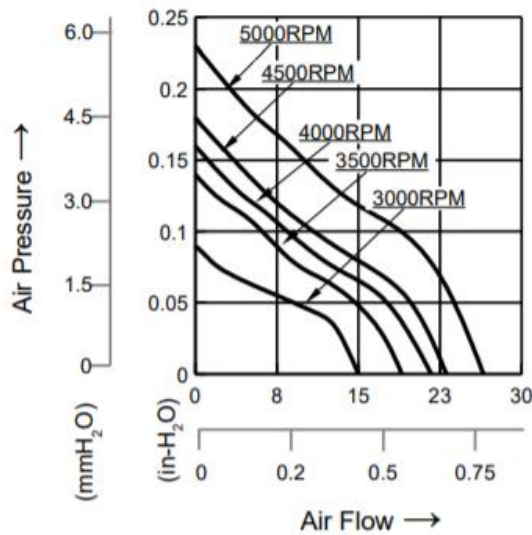
60x60x15mm



- MOTOR : DC single phase brushless motor
- FRAME : PBT (94V-0) ; IMPELLER : PBT(94V-0)
- OPERATING TEMP.: -10°C~70°C
- STORAGE TEMP.: -40°C~70°C
- WEIGHT : 44g
- Dual Ball Bearing
- Lead Length: 300mm +/- 10mm
- 2 Wire: Standard
- 3rd Wire: Tach (FG) Optional
- 4 wire PWM Optional

WV Part Number	Description	Size (mm)	Thickness (mm)	Rated Voltage (VDC)	Rated Current (A)	Rated Power (W)	Rated Speed (RPM)	Speed Code	Max Airflow (CFM)	Max Pressure (InAq)	Noise Level (dB/A)	Tach	PWM Included
DC0601512J2B	DC FAN 60x60x15 15CFM	60	15	12	0.06	0.72	3000	J	15	0.09	24	3	B
DC0601512L2B	DC FAN 60x60x15 19CFM	60	15	12	0.08	0.96	3500	L	19	0.14	29	3	B
DC0601512M2B	DC FAN 60x60x15 21.7CFM	60	15	12	0.1	1.2	4000	M	21.7	0.16	32	3	B
DC0601512H2B	DC FAN 60x60x15 23.1CFM	60	15	12	0.12	1.44	4500	H	23.1	0.18	35	3	B
DC0601512U2B	DC FAN 60x60x15 26.5CFM	60	15	12	0.17	2.04	5000	U	26.5	0.23	37	3	B

See page 6 for termination configurations and typical ordering configurations



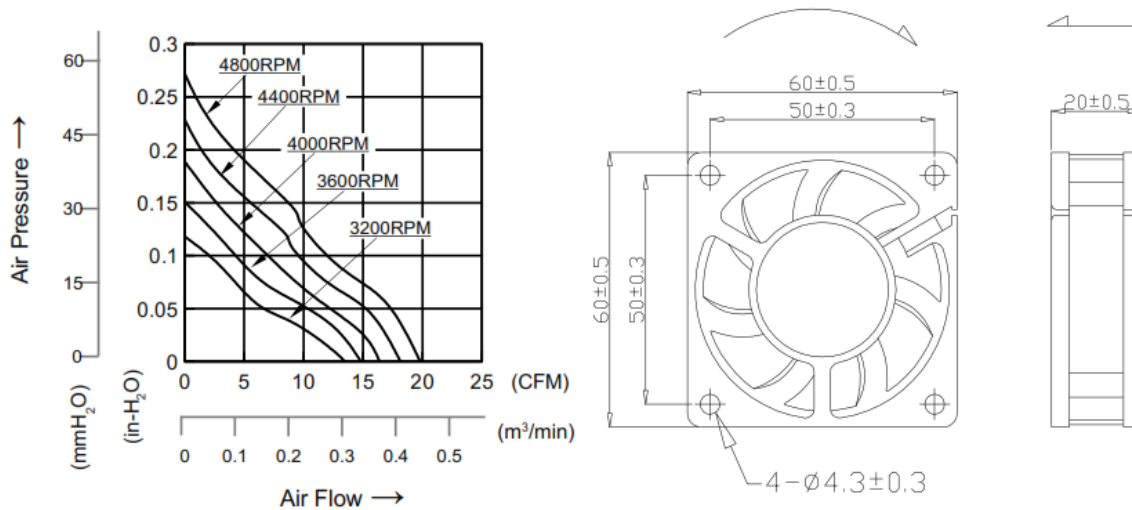
60x60x20mm



- MOTOR : DC single phase brushless motor
- FRAME : PBT (94V-0) ; IMPELLER : PBT(94V-0)
- OPERATING TEMP.: -10°C~70°C
- STORAGE TEMP.: -40°C~70°C
- WEIGHT : 50g
- Dual Ball Bearing
- Lead Length: 300mm +/- 10mm
- 2 Wire: Standard
- 3rd Wire: Tach (FG) Optional
- 4 wire PWM Optional

WV Part Number	Description	Size (mm)	Thickness (mm)	Rated Voltage (VDC)	Rated Current (A)	Rated Power (W)	Rated Speed (RPM)	Speed Code	Max Airflow (CFM)	Max Pressure (InAq)	Noise Level (dB/A)	Tach	PWM Included
DC0602012J2B	DC FAN 60x60x20 13.5CFM	60	20	12	0.07	0.84	3200	J	13.5	0.12	24	3	B
DC0602012L2B	DC FAN 60x60x20 14.8CFM	60	20	12	0.09	1.08	3600	L	14.8	0.15	26	3	B
DC0602012M2B	DC FAN 60x60x20 16.4CFM	60	20	12	0.11	1.32	4000	M	16.4	0.19	29	3	B
DC0602012H2B	DC FAN 60x60x20 18.1CFM	60	20	12	0.13	1.56	4400	H	18.1	0.23	31	3	B
DC0602012U2B	DC FAN 60x60x20 19.6CFM	60	20	12	0.17	2.04	4800	U	19.6	0.27	33	3	B

See page 6 for termination configurations and typical ordering configurations



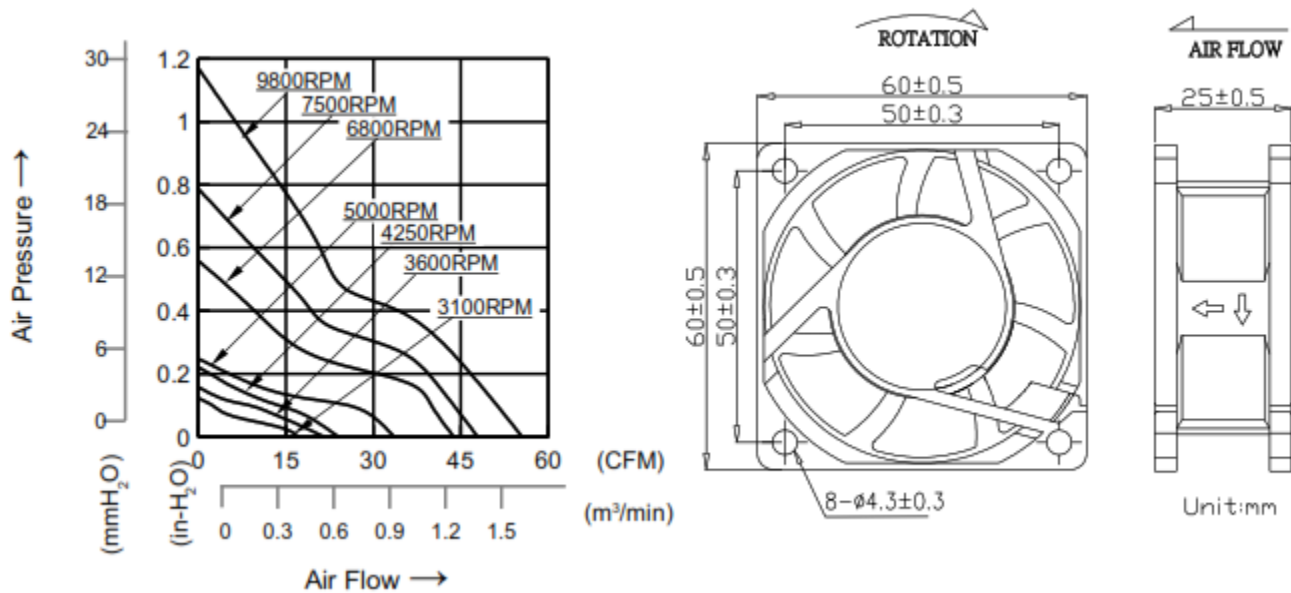
60x60x25mm



- MOTOR : DC single phase brushless motor
- FRAME : PBT (94V-0) ; IMPELLER : PBT(94V-0)
- OPERATING TEMP.: -10°C~70°C
- STORAGE TEMP.: -40°C~70°C
- WEIGHT : 57g
- Dual Ball Bearing
- Lead Length: 300mm +/- 10mm
- 2 Wire: Standard
- 3rd Wire: Tach (FG) Optional
- 4 wire PWM Optional

WV Part Number	Description	Size (mm)	Thickness (mm)	Rated Voltage (VDC)	Rated Current (A)	Rated Power (W)	Rated Speed (RPM)	Speed Code	Max Airflow (CFM)	Max Pressure (InAq)	Noise Level (dB/A)	Tach	PWM Included
DC0602512J2B	DC FAN 60x60x25 17.1CFM	60	25	12	0.08	0.96	3100	J	17.1	0.12	26	3	B
DC0602512L2B	DC FAN 60x60x25 21.5CFM	60	25	12	0.12	1.44	3600	L	21.5	0.16	31	3	B
DC0602512M2B	DC FAN 60x60x25 24CFM	60	25	12	0.15	1.8	4250	M	24	0.22	34	3	B
DC0602512H2B	DC FAN 60x60x25 33.6CFM	60	25	12	0.28	3.36	5000	H	33.6	0.25	40	3	B
DC0602512U2B	DC FAN 60x60x25 43.8CFM	60	25	12	0.45	5.4	6800	U	43.8	0.56	56	3	B
DC0602512V2B	DC FAN 60x60x25 47.9CFM	60	25	12	0.48	5.76	7500	V	47.9	0.79	63	3	B
DC0602512W2B	DC FAN 60x60x25 55.5CFM	60	25	12	0.54	6.48	9800	W	55.5	1.17	66	3	B

See page 6 for termination configurations and typical ordering configurations



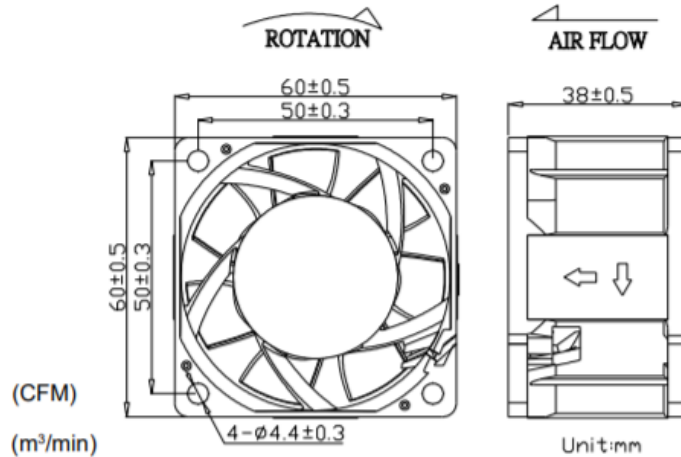
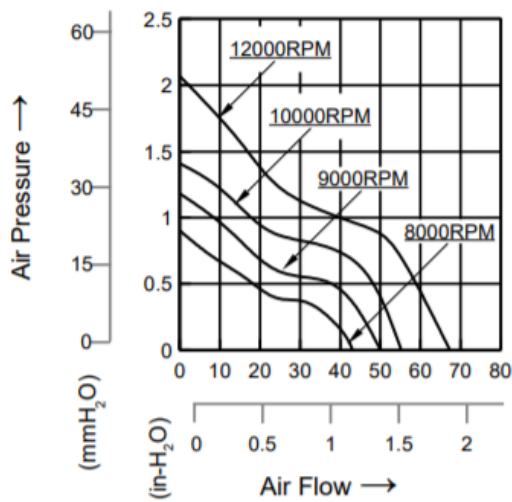
60x60x38mm



- MOTOR : DC single phase brushless motor
- FRAME : PBT (94V-0) ; IMPELLER : PBT(94V-0)
- OPERATING TEMP.: -10°C~70°C
- STORAGE TEMP.: -40°C~70°C
- WEIGHT : 145g
- Dual Ball Bearing
- Lead Length: 300mm +/- 10mm
- 2 Wire: Standard
- 3rd Wire: Tach (FG) Optional
- 4 wire PWM Optional

WV Part Number	Description	Size (mm)	Thickness (mm)	Rated Voltage (VDC)	Rated Current (A)	Rated Power (W)	Rated Speed (RPM)	Speed Code	Max Airflow (CFM)	Max Pressure (InAq)	Noise Level (dB/A)	Tach	PWM Included
DC0603812I2B	DC FAN 60x60x38 43.1CFM	60	38	12	0.52	6.24	8000	I	43.1	0.9	51	3	B
DC0603812J2B	DC FAN 60x60x38 50.8CFM	60	38	12	0.68	8.16	9000	J	50.8	1.19	54	3	B
DC0603812L2B	DC FAN 60x60x38 55.2CFM	60	38	12	1	12	10000	L	55.2	1.41	57	3	B
DC0603812M2B	DC FAN 60x60x38 67.3CFM	60	38	12	1.38	16.56	12000	M	67.3	2.07	62	3	B

See page 6 for termination configurations and typical ordering configurations



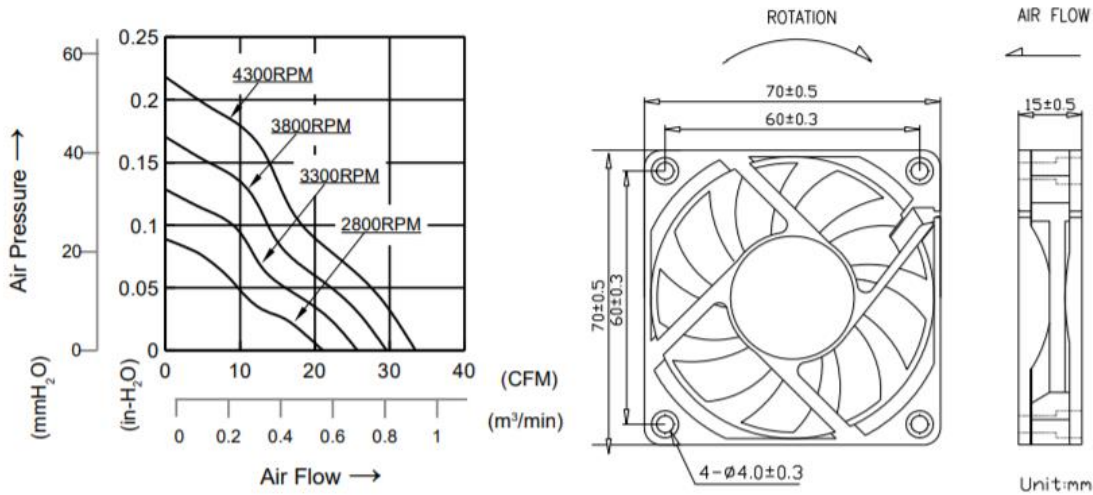
70x70x15mm



- MOTOR : DC single phase brushless motor
- FRAME : PBT (94V-0) ; IMPELLER : PBT(94V-0)
- OPERATING TEMP.: -10°C~70°C
- STORAGE TEMP.: -40°C~70°C
- WEIGHT : 145g
- Dual Ball Bearing
- Lead Length: 300mm +/- 10mm
- 2 Wire: Standard
- 3rd Wire: Tach (FG) Optional
- 4 wire PWM Optional

WV Part Number	Description	Size (mm)	Thickness (mm)	Rated Voltage (VDC)	Rated Current (A)	Rated Power (W)	Rated Speed (RPM)	Speed Code	Max Airflow (CFM)	Max Pressure (InAq)	Noise Level (dB/A)	Tach	PWM Included
DC0701512J2B	DC FAN 70x70x15 21.1CFM	70	15	12	0.1	1.2	2800	J	21.1	0.09	27	3	B
DC0701512L2B	DC FAN 70x70x15 25.7CFM	70	15	12	0.12	1.44	3300	L	25.7	0.13	31	3	B
DC0701512M2B	DC FAN 70x70x15 29.6CFM	70	15	12	0.17	2.04	3800	M	29.6	0.17	35	3	B
DC0701512H2B	DC FAN 70x70x15 33.5CFM	70	15	12	0.25	3	4300	H	33.5	0.22	39	3	B

See page 6 for termination configurations and typical ordering configurations



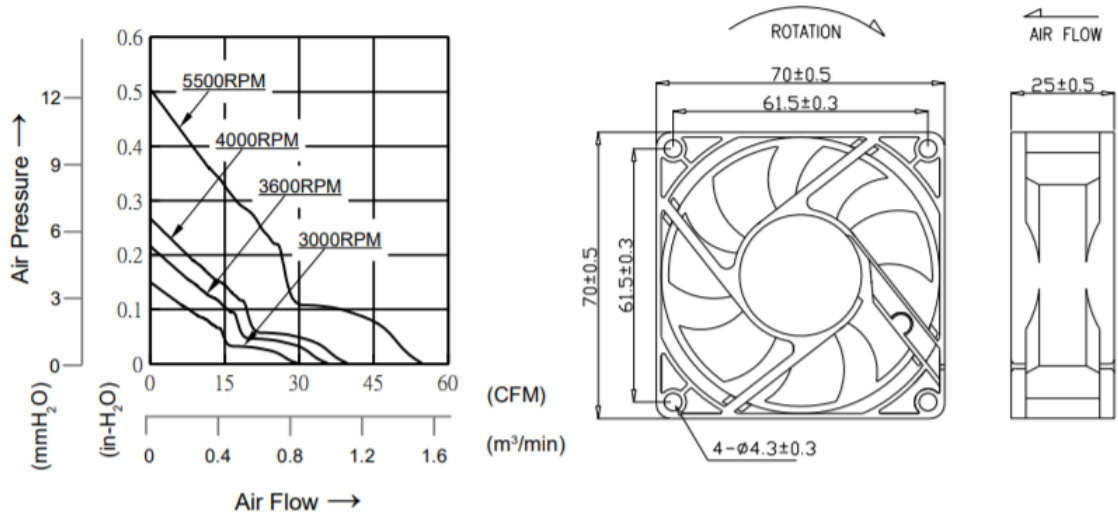
70x70x25mm



- MOTOR : DC single phase brushless motor
- FRAME : PBT (94V-0) ; IMPELLER : PBT(94V-0)
- OPERATING TEMP.: -10°C~70°C
- STORAGE TEMP.: -40°C~70°C
- WEIGHT : 50g
- Dual Ball Bearing
- Lead Length: 300mm +/- 10mm
- 2 Wire: Standard
- 3rd Wire: Tach (FG) Optional
- 4 wire PWM Optional

WV Part Number	Description	Size (mm)	Thickness (mm)	Rated Voltage (VDC)	Rated Current (A)	Rated Power (W)	Rated Speed (RPM)	Speed Code	Max Airflow (CFM)	Max Pressure (InAq)	Noise Level (dB/A)	Tach	PWM Included
DC0702512L2B	DC FAN 70x70x25 30.0CFM	70	25	12	0.07	0.84	3000	L	30	0.15	27	3	B
DC0702512M2B	DC FAN 70x70x25 35.6CFM	70	25	12	0.09	1.08	3600	M	35.6	0.22	32	3	B
DC0702512H2B	DC FAN 70x70x25 39.9CFM	70	25	12	0.13	1.56	4000	H	39.9	0.27	37	3	B
DC0702512U2B	DC FAN 70x70x25 54.8CFM	70	25	12	0.16	1.92	5500	U	54.8	0.5	45	3	B

See page 6 for termination configurations and typical ordering configurations



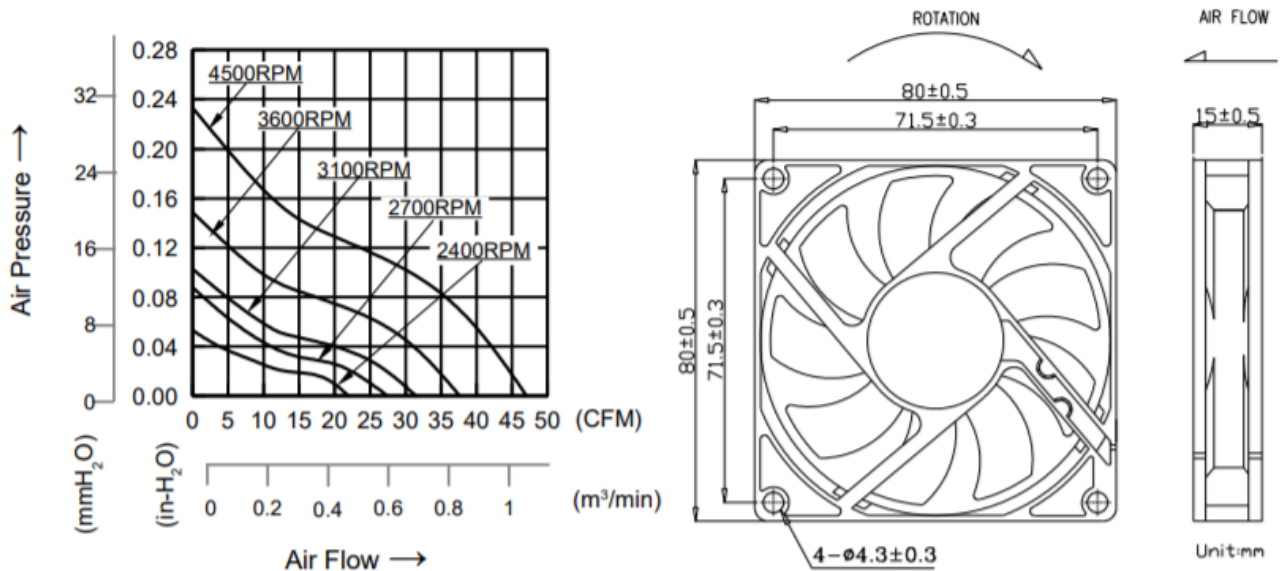
80x80x15mm



- MOTOR : DC single phase brushless motor
- FRAME : PBT (94V-0) ; IMPELLER : PBT(94V-0)
- OPERATING TEMP.: -10°C~70°C
- STORAGE TEMP.: -40°C~70°C
- WEIGHT : 54g
- Dual Ball Bearing
- Lead Length: 300mm +/- 10mm
- 2 Wire: Standard
- 3rd Wire: Tach (FG) Optional
- 4 wire PWM Optional

WV Part Number	Description	Size (mm)	Thickness (mm)	Rated Voltage (VDC)	Rated Current (A)	Rated Power (W)	Rated Speed (RPM)	Speed Code	Max Airflow (CFM)	Max Pressure (InAq)	Noise Level (dB/A)	Tach	PWM Included
DC0801512J2B	DC FAN 80x80x15 22CFM	80	15	12	0.06	0.72	2400	J	22	0.05	25	3	B
DC0801512L2B	DC FAN 80x80x15 27.5CFM	80	15	12	0.1	1.2	2700	L	27.5	0.09	30	3	B
DC0801512M2B	DC FAN 80x80x15 31.5CFM	80	15	12	0.12	1.44	3100	M	31.5	0.1	32	3	B
DC0801512H2B	DC FAN 80x80x15 37.6CFM	80	15	12	0.16	1.92	3600	H	37.6	0.15	36	3	B
DC0801512U2B	DC FAN 80x80x15 45.2CFM	80	15	12	0.3	3.6	4500	U	45.2	0.21	43	3	B

See page 6 for termination configurations and typical ordering configurations



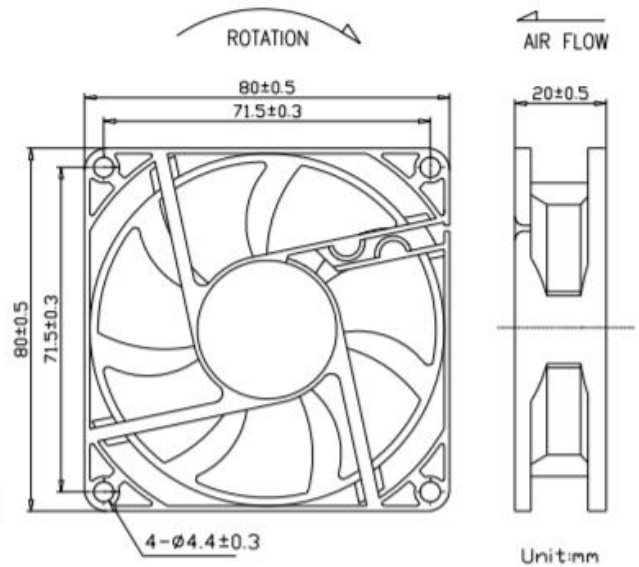
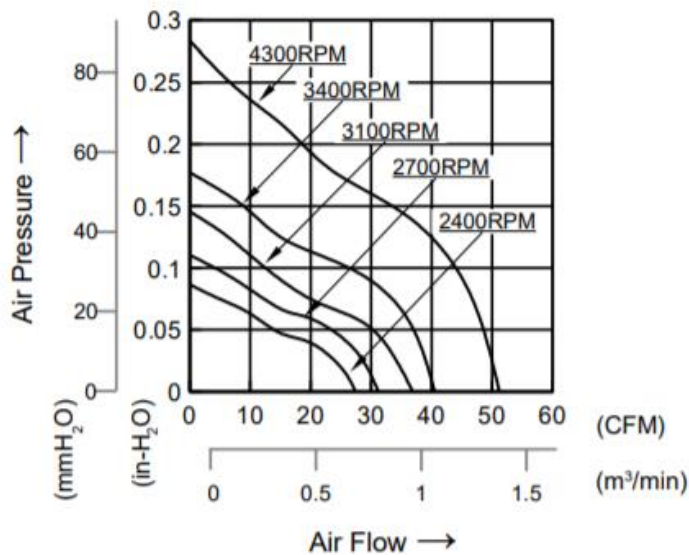
80x80x20mm



- MOTOR : DC single phase brushless motor
- FRAME : PBT (94V-0) ; IMPELLER : PBT(94V-0)
- OPERATING TEMP.: -10°C~70°C
- STORAGE TEMP.: -40°C~70°C
- WEIGHT : 76g
- Dual Ball Bearing
- Lead Length: 300mm +/- 10mm
- 2 Wire: Standard
- 3rd Wire: Tach (FG) Optional
- 4 wire PWM Optional

WV Part Number	Description	Size (mm)	Thickness (mm)	Rated Voltage (VDC)	Rated Current (A)	Rated Power (W)	Rated Speed (RPM)	Speed Code	Max Airflow (CFM)	Max Pressure (InAq)	Noise Level (dB/A)	Tach	PWM Included
DC0802012J2B	DC FAN 80x80x20 27.4CFM	80	20	12	0.13	1.56	2400	J	27.4	0.09	25	3	B
DC0802012L2B	DC FAN 80x80x20 31.2CFM	80	20	12	0.16	1.92	2700	L	31.2	0.11	29	3	B
DC0802012M2B	DC FAN 80x80x20 36.9CFM	80	20	12	0.18	2.16	3100	M	36.9	0.15	34	3	B
DC0802012H2B	DC FAN 80x80x20 40.5CFM	80	20	12	0.24	2.88	3400	H	40.5	0.18	36	3	B
DC0802012U2B	DC FAN 80x80x20 51.2CFM	80	20	12	0.3	3.6	4300	U	51.2	0.28	43	3	B

See page 6 for termination configurations and typical ordering configurations



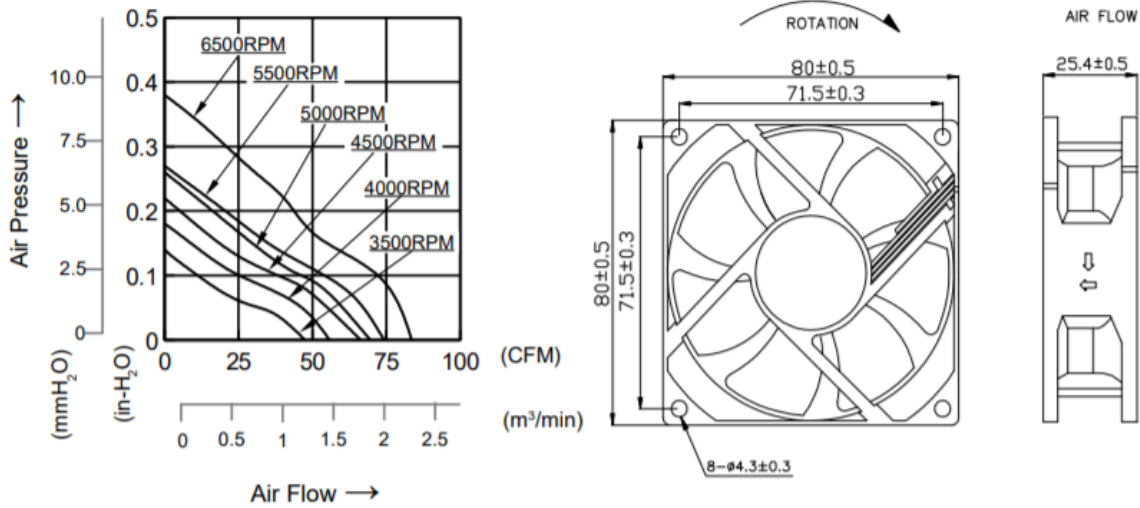
80x80x25mm



- MOTOR : DC single phase brushless motor
- FRAME : PBT (94V-0) ; IMPELLER : PBT(94V-0)
- OPERATING TEMP.: -10°C~70°C
- STORAGE TEMP.: -40°C~70°C
- WEIGHT : 85g
- Dual Ball Bearing
- Lead Length: 300mm +/- 10mm
- 2 Wire: Standard
- 3rd Wire: Tach (FG) Optional
- 4 wire PWM Optional

WV Part Number	Description	Size (mm)	Thickness (mm)	Rated Voltage (VDC)	Rated Current (A)	Rated Power (W)	Rated Speed (RPM)	Speed Code	Max Airflow (CFM)	Max Pressure (InAq)	Noise Level (dB/A)	Tach	PWM Included
DC0802512I2B	DC FAN 80x80x25 47.5CFM	80	25	12	0.2	2.4	3500	I	47.5	0.14	35	3	B
DC0802512J2B	DC FAN 80x80x25 55.8CFM	80	25	12	0.32	3.84	4000	J	55.8	0.18	37	3	B
DC0802512L2B	DC FAN 80x80x25 66.4CFM	80	25	12	0.4	4.8	4500	L	66.4	0.22	42	3	B
DC0802512M2B	DC FAN 80x80x25 69.9CFM	80	25	12	0.65	7.8	5000	M	69.9	0.26	44	3	B
DC0802512H2B	DC FAN 80x80x25 74.3CFM	80	25	12	0.81	9.72	5500	H	74.3	0.27	46	3	B
DC0802512U2B	DC FAN 80x80x25 83.6CFM	80	25	12	1	12	6500	U	83.6	0.38	50	3	B

See page 6 for termination configurations and typical ordering configurations



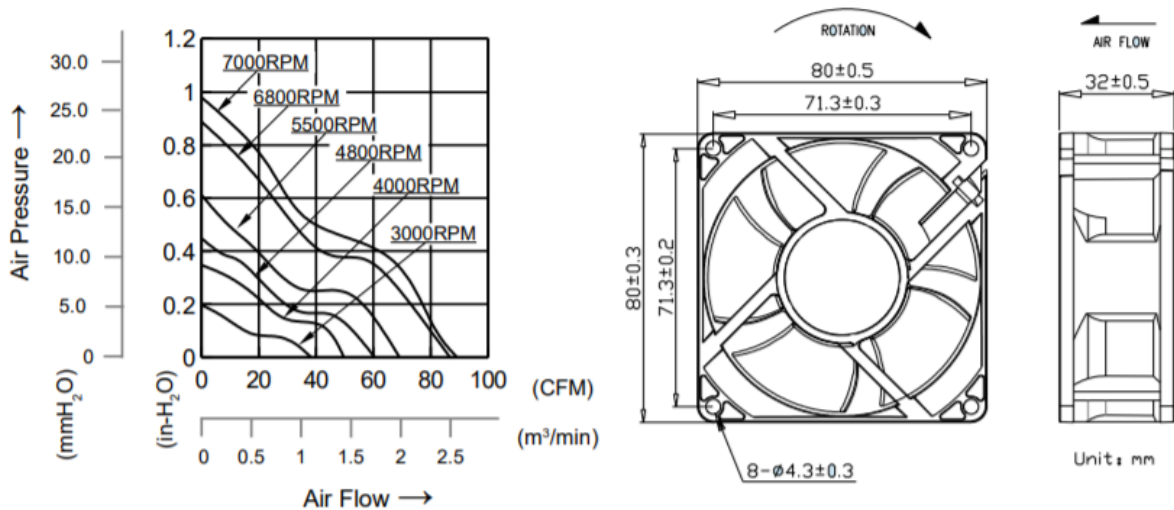
80x80x32mm



- MOTOR : DC single phase brushless motor
- FRAME : PBT (94V-0) ; IMPELLER : PBT(94V-0)
- OPERATING TEMP.: -10°C~70°C
- STORAGE TEMP.: -40°C~70°C
- WEIGHT : 120g
- Dual Ball Bearing
- Lead Length: 300mm +/- 10mm
- 2 Wire: Standard
- 3rd Wire: Tach (FG) Optional
- 4 wire PWM Optional

WV Part Number	Description	Size (mm)	Thickness (mm)	Rated Voltage (VDC)	Rated Current (A)	Rated Power (W)	Rated Speed (RPM)	Speed Code	Max Airflow (CFM)	Max Pressure (InAq)	Noise Level (dB/A)	Tach	PWM Included
DC0803212J2B	DC FAN 80x80x32 38.2CFM	80	32	12	0.15	1.8	3000	J	38.2	0.2	31	3	B
DC0803212L2B	DC FAN 80x80x32 49.7CFM	80	32	12	0.2	2.4	4000	L	49.7	0.35	39	3	B
DC0803212M2B	DC FAN 80x80x32 60.4CFM	80	32	12	0.35	4.2	4800	M	60.4	0.45	45	3	B
DC0803212H2B	DC FAN 80x80x32 69.1CFM	80	32	12	0.5	6	5500	H	69.1	0.61	48	3	B
DC0803212U2B	DC FAN 80x80x32 86.7CFM	80	32	12	0.8	9.6	6800	U	86.7	0.89	54	3	B

See page 6 for termination configurations and typical ordering configurations



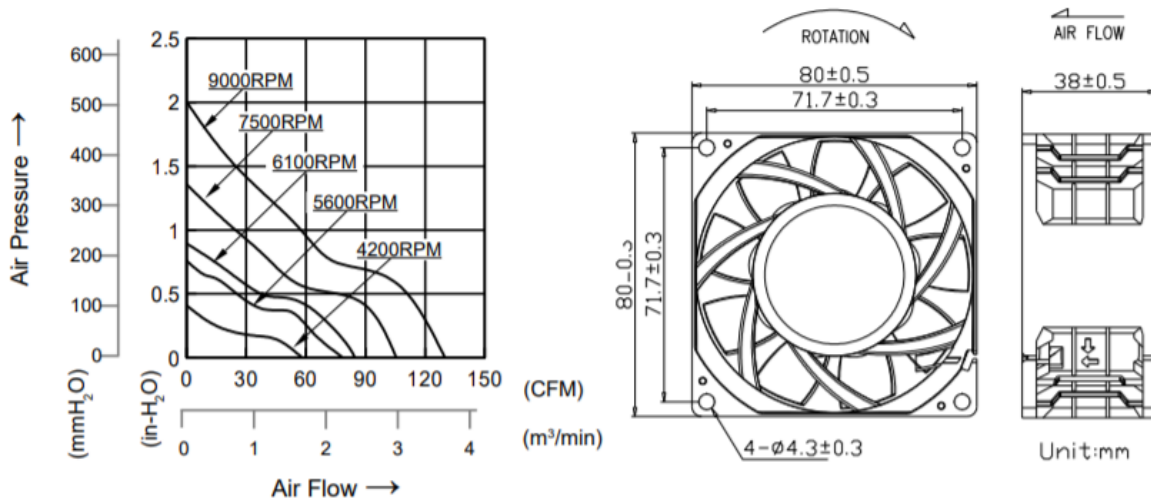
80x80x32mm



- MOTOR : DC single phase brushless motor
- FRAME : PBT (94V-0) ; IMPELLER : PBT(94V-0)
- OPERATING TEMP.: -10°C~70°C
- STORAGE TEMP.: -40°C~70°C
- WEIGHT : 210g
- Dual Ball Bearing
- Lead Length: 300mm +/- 10mm
- 2 Wire: Standard
- 3rd Wire: Tach (FG) Optional
- 4 wire PWM Optional

WV Part Number	Description	Size (mm)	Thickness (mm)	Rated Voltage (VDC)	Rated Current (A)	Rated Power (W)	Rated Speed (RPM)	Speed Code	Max Airflow (CFM)	Max Pressure (InAq)	Noise Level (dB/A)	Tach	PWM Included
DC0803812L2B	DC FAN 80x80x38 58.2CFM	80	38	12	0.4	4.8	4200	L	58.2	0.41	45	3	B
DC0803812M2B	DC FAN 80x80x38 78.8CFM	80	38	12	0.76	9.12	5600	M	78.8	0.76	53	3	B
DC0803812H2B	DC FAN 80x80x38 84.8CFM	80	38	12	1	12	6100	H	84.8	0.89	56	3	B
DC0803812U2B	DC FAN 80x80x38 105.5CFM	80	38	12	1.5	18	7500	U	105.5	1.36	62	3	B
DC0803812V2B	DC FAN 80x80x38 130CFM	80	38	12	2.7	32.4	9000	V	130	2	66	3	B

See page 6 for termination configurations and typical ordering configurations



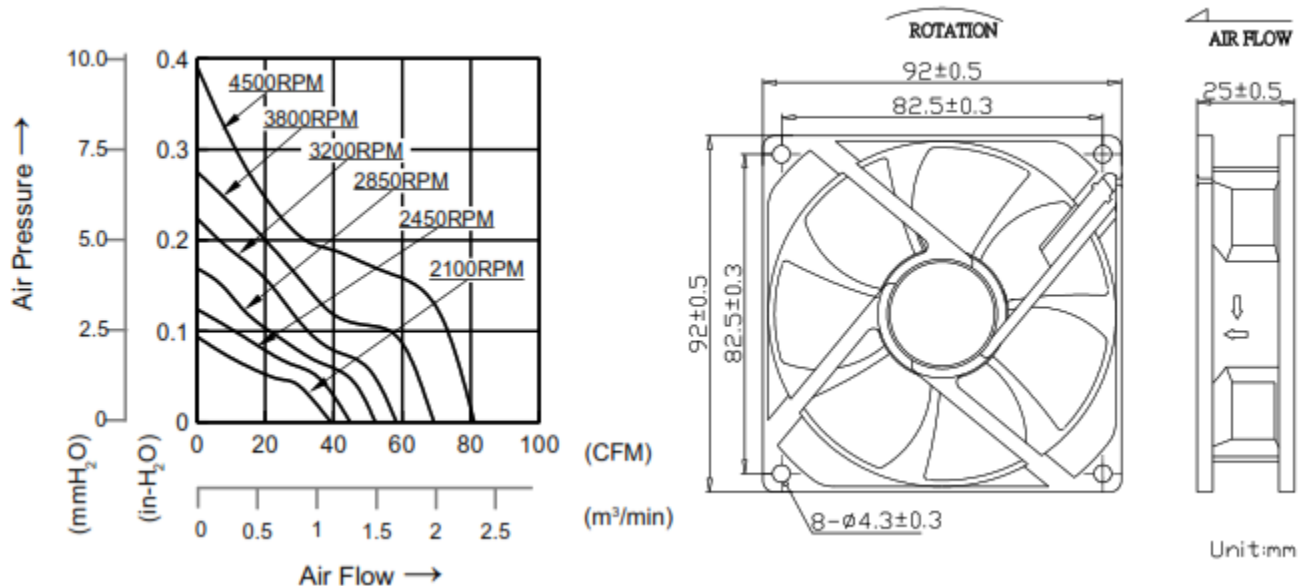
92x92x25mm



- MOTOR : DC single phase brushless motor
- FRAME : PBT (94V-0) ; IMPELLER : PBT(94V-0)
- OPERATING TEMP.: -10°C~70°C
- STORAGE TEMP.: -40°C~70°C
- WEIGHT : 85g
- Dual Ball Bearing
- Lead Length: 300mm +/- 10mm
- 2 Wire: Standard
- 3rd Wire: Tach (FG) Optional
- 4 wire PWM Optional

WV Part Number	Description	Size (mm)	Thickness (mm)	Rated Voltage (VDC)	Rated Current (A)	Rated Power (W)	Rated Speed (RPM)	Speed Code	Max Airflow (CFM)	Max Pressure (InAq)	Noise Level (dB/A)	Tach	PWM Included
DC0922512J2B	DC FAN 92x92x25 39.2CFM	92	25	12	0.09	1.08	2100	J	39.2	0.09	25	3	B
DC0922512L2B	DC FAN 92x92x25 44.8CFM	92	25	12	0.11	1.32	2450	L	44.8	0.12	30	3	B
DC0922512M2B	DC FAN 92x92x25 52.1CFM	92	25	12	0.14	1.68	2850	M	52.1	0.17	34	3	B
DC0922512H2B	DC FAN 92x92x25 58.3CFM	92	25	12	0.2	2.4	3200	H	58.3	0.22	38	3	B
DC0922512U2B	DC FAN 92x92x25 69.2CFM	92	25	12	0.3	3.6	3800	U	69.2	0.28	45	3	B
DC0922512V2B	DC FAN 92x92x25 81CFM	92	25	12	0.41	4.92	4500	V	81	0.4	49	3	B

See page 6 for termination configurations and typical ordering configurations



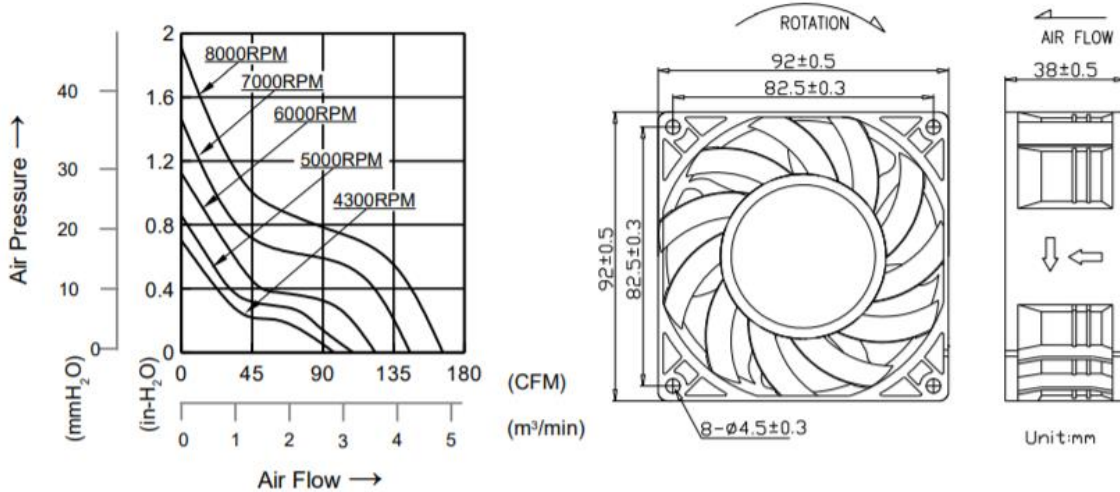
92x92x38mm



- MOTOR : DC single phase brushless motor
- FRAME : PBT (94V-0) ; IMPELLER : PBT(94V-0)
- OPERATING TEMP.: -10°C~70°C
- STORAGE TEMP.: -40°C~70°C
- WEIGHT : 200g
- Dual Ball Bearing
- Lead Length: 300mm +/- 10mm
- 2 Wire: Standard
- 3rd Wire: Tach (FG) Optional
- 4 wire PWM Optional

WV Part Number	Description	Size (mm)	Thickness (mm)	Rated Voltage (VDC)	Rated Current (A)	Rated Power (W)	Rated Speed (RPM)	Speed Code	Max Airflow (CFM)	Max Pressure (InAq)	Noise Level (dB/A)	Tach	PWM Included
DC0923812L2B	DC FAN 92x92x38 97.1CFM	92	38	12	0.5	6	4300	L	97.1	0.7	52	3	B
DC0923812M2B	DC FAN 92x92x38 109.2CFM	92	38	12	0.9	10.8	5000	M	109.2	0.86	58	3	B
DC0923812H2B	DC FAN 92x92x38 123.4CFM	92	38	12	1.2	14.4	6000	H	123.4	1.12	64	3	B
DC0923812U2B	DC FAN 92x92x38 145.6CFM	92	38	12	2.5	30	7000	U	145.6	1.46	67	3	B
DC0923812V2B	DC FAN 92x92x38 166.4CFM	92	38	12	2.95	35.4	8000	V	166.4	1.91	72	3	B

See page 6 for termination configurations and typical ordering configurations



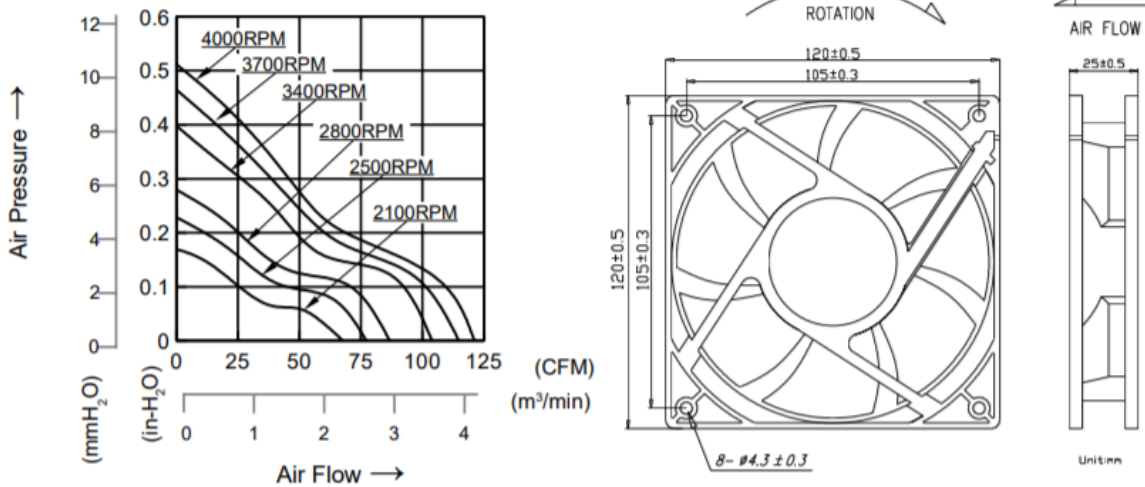
120x120x25mm



- MOTOR : DC single phase brushless motor
- FRAME : PBT (94V-0) ; IMPELLER : PBT(94V-0)
- OPERATING TEMP.: -10°C~70°C
- STORAGE TEMP.: -40°C~70°C
- WEIGHT : 230g
- Dual Ball Bearing
- Lead Length: 300mm +/- 10mm
- 2 Wire: Standard
- 3rd Wire: Tach (FG) Optional
- 4 wire PWM Optional

WV Part Number	Description	Size (mm)	Thickness (mm)	Rated Voltage (VDC)	Rated Current (A)	Rated Power (W)	Rated Speed (RPM)	Speed Code	Max Airflow (CFM)	Max Pressure (InAq)	Noise Level (dB/A)	Tach	PWM Included
DC1202512J2B	DC FAN 120x120x25 67.7CFM	120	25	12	0.2	2.4	2100	J	67.7	0.17	35	3	B
DC1202512L2B	DC FAN 120x120x25 77.2CFM	120	25	12	0.3	3.6	2500	L	77.2	0.23	39	3	B
DC1202512M2B	DC FAN 120x120x25 86.7CFM	120	25	12	0.48	5.76	2800	M	86.7	0.28	42	3	B
DC1202512H2B	DC FAN 120x120x25 103.9CFM	120	25	12	0.5	6	3400	H	103.9	0.4	47	3	B
DC1202512U2B	DC FAN 120x120x25 114.8CFM	120	25	12	0.62	7.44	3700	U	114.8	0.46	50	3	B
DC1202512V2B	DC FAN 120x120x25 121.1CFM	120	25	12	0.65	7.8	4000	V	121.1	0.51	52	3	B

See page 6 for termination configurations and typical ordering configurations



120x120x38mm



- MOTOR : DC single phase brushless motor
- FRAME : PBT (94V-0) ; IMPELLER : PBT(94V-0)
- OPERATING TEMP.: -10°C~70°C
- STORAGE TEMP.: -40°C~70°C
- WEIGHT : 280g
- Dual Ball Bearing
- Lead Length: 300mm +/- 10mm
- 2 Wire: Standard
- 3rd Wire: Tach (FG) Optional
- 4 wire PWM Optional

WV Part Number	Description	Size (mm)	Thickness (mm)	Rated Voltage (VDC)	Rated Current (A)	Rated Power (W)	Rated Speed (RPM)	Speed Code	Max Airflow (CFM)	Max Pressure (InAq)	Noise Level (dB/A)	Tach	PWM Included
DC1203812J2B	DC FAN 120x120x38 101.4CFM	120	38	12	0.18	2.16	2300	J	101.4	0.3	38	3	B
DC1203812L2B	DC FAN 120x120x38 114.7CFM	120	38	12	0.4	4.8	2600	L	114.7	0.41	41	3	B
DC1203812M2B	DC FAN 120x120x38 123.2CFM	120	38	12	0.75	9	2900	M	123.2	0.45	44	3	B
DC1203812H2B	DC FAN 120x120x38 135.9CFM	120	38	12	0.8	9.6	3200	H	135.9	0.54	48	3	B
DC1203812U2B	DC FAN 120x120x38 178.4CFM	120	38	12	1.55	18.6	4200	U	178.4	0.94	54	3	B
DC1203812V2B	DC FAN 120x120x38 190.5CFM	120	38	12	1.5	18	4100	V	190.5	0.69	56	3	B
DC1203812W2B	DC FAN 120x120x38 212.6CFM	120	38	12	1.75	21	4600	W	212.6	0.84	59	3	B

See page 6 for termination configurations and typical ordering configurations

