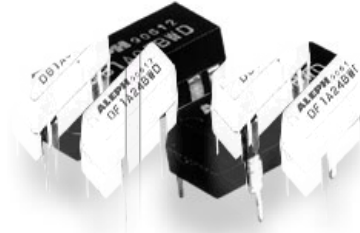


PRODUCT FINDER

- Reed Switches
- Reed Relays
- Selection Guide
- Application Notes
- 4-Pin-DIP-DF**
- PB-PC
- ML-W
- SIP-DG
- SIP-DH
- SIP-SD
- SIP-SG
- Z
- Passive Infrared Detectors
- Photoelectric Beams
- Opto Sensors
- Proximity Sensors
- Automotive Sensors
- Level Sensors
- Flow Sensors
- Magnetic Contacts
- Video

Aleph 4 PIN DIP/DF Series Reed Relay

- Industry standard package
- Transfer molded for environmental protection
- Miniature size
- Compatible with DIP handling, sorting and PCB insertion equipment
- Optional shielding and diodes
- UL models available



Coil Ratings

Part Number	Nominal Voltage (VDC)	Coil Resistance (ohms) $\pm 10\%$	Operate Voltage (VDC) max.	Release Voltage (VDC) min.	Schematics
DB1A**BW(D) DA1A**BW(D)	5 12 24	500 850 2200	3.8 9.0 18.0	0.5 1.0 2.0	
DB2A**BW(D) DA2A**BW(D)	5 12 24	200 500 1750	3.8 9.0 18.0	0.5 1.0 2.0	
DB1B**BW(D) DA1B**BW(D)	5 12 24	500 500 1750	3.8 9.0 18.0	0.5 1.0 2.0	
DB1C**CW(D) DA1C**CW(D)	5 12 24	200 500 1750	3.8 9.0 18.0	0.5 1.0 2.0	
DF1A**BW(D)	5 12 24	500 850 2200	3.8 9.0 18.0	0.5 1.0 2.0	
DF1B**BW(D)	5 12 24	500 500 1750	3.8 9.0 18.0	0.5 1.0 2.0	

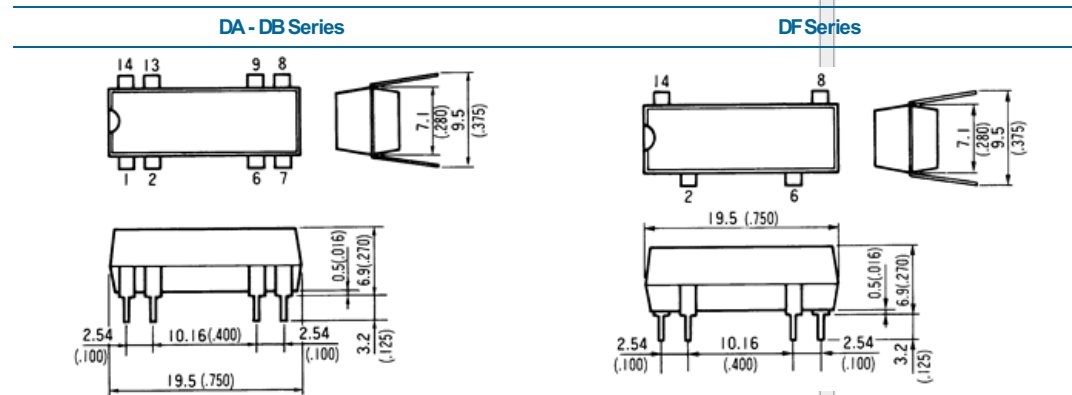
TAMB. = +20°C
(M.S.) : Magnetic Shield
(E.S.S.) : Electrostatic Shield

Contact Ratings

Parameters	DA1A**BW DA2A**BW DA1B**BW	DB1A**BW DB2A**BW DB1B**BW	DA1C**BW DB1C**BW	DF1A**BW DF1B**BW
	Power (W) max.	10	3	10
Voltage (VDC) max.	200	100	200	200
Switching Current (A) max.	0.5	0.25	0.5	0.5
Carry Current (A) max.	1.0	0.5	1.0	1.0
Contact Resistance (ohms) max. (initial)	0.15	0.15	0.15	0.15 (1A) 0.2 (1B)
Breakdown Voltage (VDC) min.	Open Contact	250	200	250
	Contact to Coil	1500	1500	1500
Insulation Resistance (ohms) min.	Open Contact	10^{10}	10^8	10^{10}
	Contact to Coil	10^{10}	10^{10}	10^{10}
Operate Time (mS) max. (incl. bounce)	1.0	2.0	1.0	1.0
Release Time (mS) max.	0.5	2.5	0.5	0.5
Electrical Life	Low Level	10^8 (10mVDC, 10 μ A)	5×10^8 (10VDC, 4mA)	10^8 (10mVDC, 10 μ A)
	Rated Load	6×10^5 (20VDC, 0.5A)	2×10^6 (12VDC, 0.25A)	6×10^5 (20VDC, 0.5A)

(resistive loads)

Dimensions





Aleph is a leading manufacturer of Opto Sensors (interrupter, reflective and actuator type), Magneto Resistive, Inductive, Thermal (reed switch), Magnetic Proximity (reed switch) and Deceleration/Crash type sensors.

Our security products are considered some of the best in the world. We manufacture and distribute Passive Infrared Detectors, Photoelectric Beams and Magnetic Contacts.

Aleph America
4700 Aircenter Circle
Reno, NV 89502

775-827-8000

[About Us](#)

[Aleph America](#)
[Aleph Holland](#)
[Aleph Japan](#)
[Aleph China](#)

[Staff Contacts](#)
[Sales Offices & Distributors](#)

[Products](#)

[Reed Switches](#)
[Reed Relays](#)
[Passive Infrared Detectors](#)
[Photoelectric Beams](#)
[Opto Sensors](#)
[Proximity Sensors](#)
[Automotive Sensors](#)
[Level Sensors](#)
[Flow Sensors](#)
[Magnetic Contacts](#)
[Aleph Video](#)

[Contact Us](#)

[Request a Catalog](#)
[Request a Quote](#)
[Request Cross-Reference](#)
[Staff Contacts](#)
[Find a Sales Office or Distributor](#)