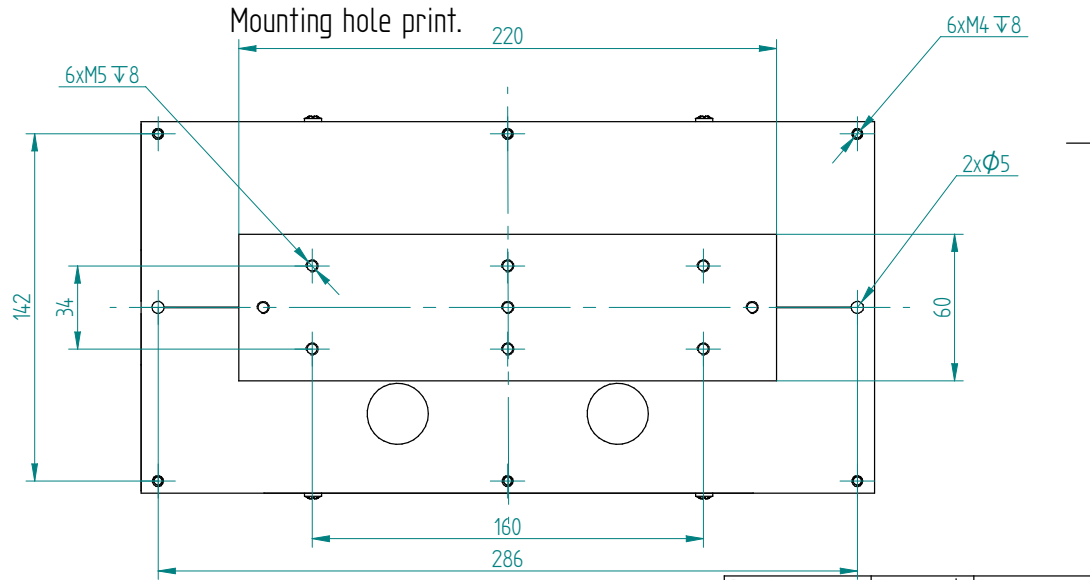


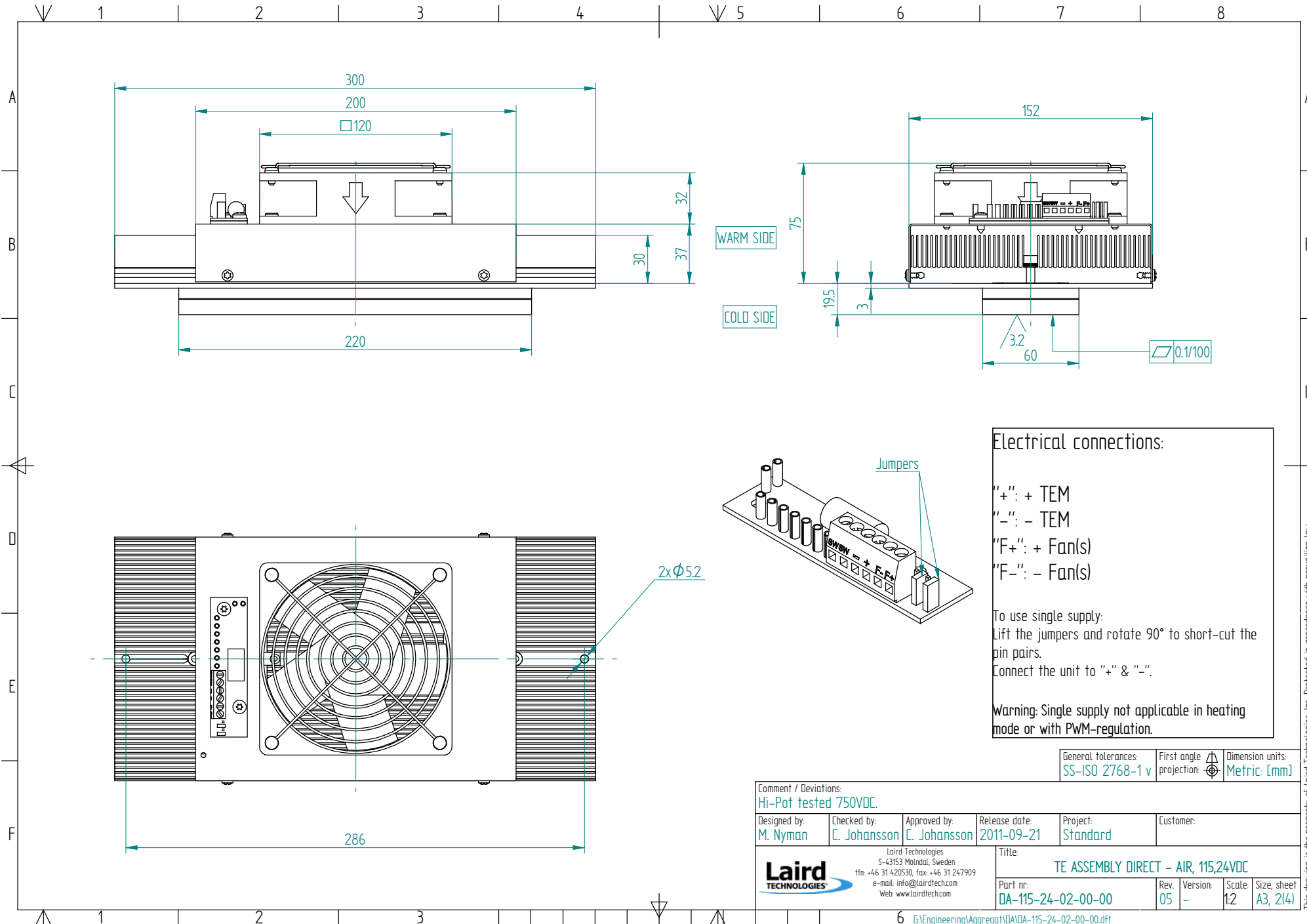
Specification: (Ta=32°C)	Code:	Description:
Heat transfer, cold side:	0	Direct
Heat transfer, warm side:	A	Air
Cascade:	-	
Cooling power: (W)	115	Calculated 113 W at dT=0°C. Tolerance: ±10%.
Voltage, nominal: (VDC)	24	24 VDC
TEM Voltage: (VDC)		Nominal: 24 VDC, Max: 30 VDC
TEM Current: (A)		Nominal: 6.4 A, Initial: 7.7 A. All at dT=0°C. Tolerance: ±10%.
Fans, cold side:	0	None.
Fans, warm side:	2	L10 50,000 hrs. at 25°C. Nominal current: 0.25 A. Voltage: 24 VDC ±10%.
Temperature controller, sensor:	0	None.
Temperature control settings, trim options:	0	-
Additional controller information:		
Temperature control position:	0	-
Options:	0	-
Overheating thermostat:		75°C ±5°C on hot side heat sink surface.
Operating temperature:		-10°C to +47°C at nominal voltage.
TE-Module(s) temperature specification:		Max surface temperature: 80°C.
Enclosed:		-
Packing:		Individual cardboard box.



General tolerances: SS-ISO 2768-1 v
 First angle projection:
 Dimension units: Metric: [mm]

Comment / Deviations: Hi-Pot tested 750VDC.					
Designed by: M. Nyman	Checked by: C. Johansson	Approved by: C. Johansson	Release date: 2011-09-21	Project: Standard	Customer:
 Laird Technologies S-43153 Molndal, Sweden tfn: +46 31 420530, fax: +46 31 247909 e-mail: info@lairdtech.com Web: www.lairdtech.com			Title: TE ASSEMBLY DIRECT - AIR, 115,24VDC Part nr: DA-115-24-02-00-00 Rev: 05 Version: - Scale: 12 Size, sheet: A3, (14)		

This drawing is the property of Laird Technologies, Inc. Protected in accordance with prevailing law.



Electrical connections:

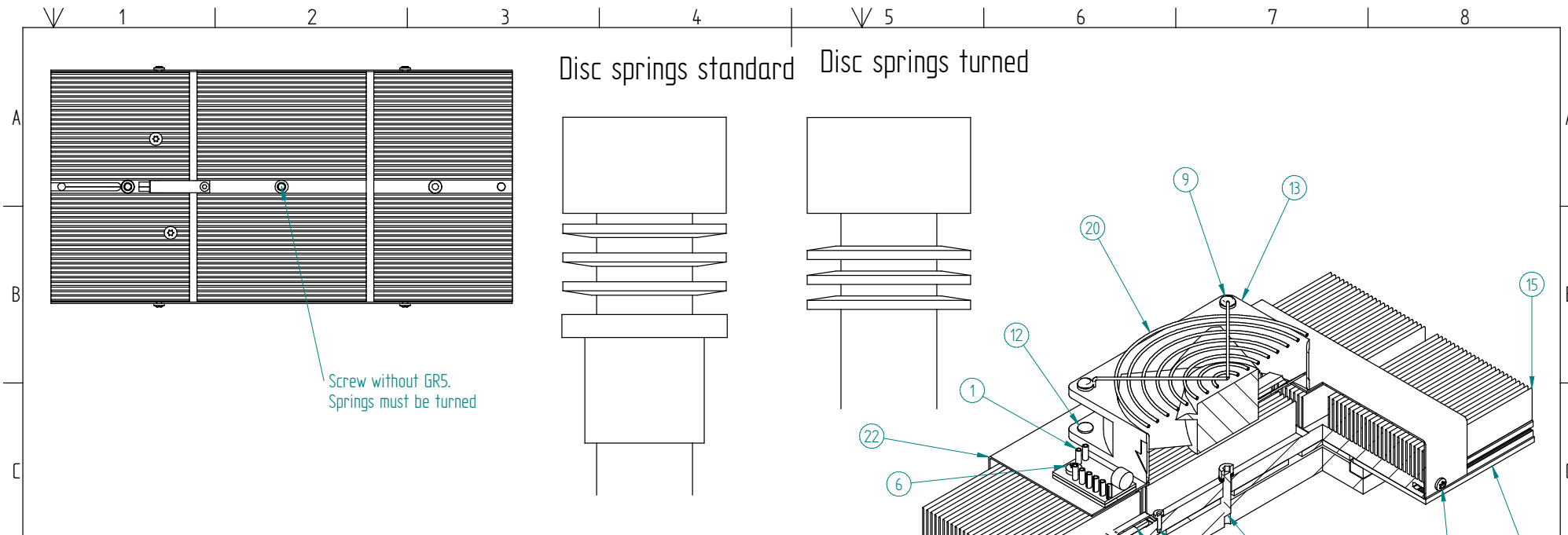
- "+" : + TEM
- "-" : - TEM
- "F+" : + Fan(s)
- "F-" : - Fan(s)

To use single supply:
Lift the jumpers and rotate 90° to short-cut the pin pairs.
Connect the unit to "+" & "-".

Warning: Single supply not applicable in heating mode or with PWM-regulation.

General tolerances: SS-ISO 2768-1 v
First angle projection: Dimension units: Metric: [mm]

Comment / Deviations: Hi-Pot tested 750VDC.					
Designed by: M. Nyman	Checked by: C. Johansson	Approved by: C. Johansson	Release date: 2011-09-21	Project: Standard	Customer:
 Laird Technologies S-43153 Molndal, Sweden tfn: +46 31 420530, fax: +46 31 247909 e-mail: info@lairdtech.com Web: www.lairdtech.com			Title: TE ASSEMBLY DIRECT - AIR, 115,24VDC		
Part nr: DA-115-24-02-00-00		Rev: 05	Version: -	Scale: 1:2	Size, sheet: A3, 2/4



Nr.	Qty.	Part nr.	Title	Subject	Material	Comment
1	1	145002	CONNECTION BOARD	BASIC SMALL	PCB, components	Coated for moisture protection.
2	1	265002	KIT TEM 4 2SX2P	430848-507		TEM-kit for AA100, DA/LA115 and LA117
3	1	RFE-01033	SCREW M5X25	ME6S A2	Steel, Stainless	DIN912 IISO 4762), ME6S
4	2	RFE-01035	SCREW M5X30	ME6S A2	Steel, Stainless	DIN912 IISO 4762), ME6S
5	1	RFE-01047	SCREW M3X8	MRT TT ST FZB	Steel 4.8	DIN 7985, Zinc-plated
6	2	RFE-06019	SCREW ST4.2X9.5	RTS A2	Steel, Stainless	DIN 7981 C
7	2	RFE-06410	BUSH 5.2X6.2X6.7	GR5	PA 6 (Durethan BKV-30H), UL94HBE41613	Thermal insulation.
8*	2	RFE-50013	WASHER 4.2X9X1.4	LSR PA6.6	PA 6.6	Seating, retaining function
9	4	RFE-50020	RIVET SNAP 4X9	PANEL 6.5-7.5	PA 6	UL94V-0, Black
10	9	RFE-70215	SPRING 5.1X8.5X0.5	TAF A2	SS2331-06, Steel, stainless	DIN 2093, Disc spring.
11	4	RFE-70219	SCREW ST3.5X6.5	RTS A2	Steel, Stainless	DIN 7981 C (ISO 7049)
12	4	RFE-70221	RIVET SNAP 4X8	PANEL 5.5-6.5	PA 6	UL94V-2, Black.
13	1	RFL-70332	FAN 120X32 24VDC	6W	PBT	-10 +70°C, AWG24/UL1007, AD1224HB-Y51
14	1	RPF-70244	D-PLATE C 60X15	4TEM220 AN	EN AW-6101, profile: RPR-70501/PG314071	Anodisation, natural, 15µm
15	1	RPF-70309	HEAT SINK AH HH150	4TEM300 AB	EN AW-6060, profile: RPR-70415/PG313815	Anodisation, black
16	1	RPL-70309	SEAL TEA HH150	4TEM300	Blockschaum 30kg, Tape 310	Self-adhesives on one side
17	1	RPL-70421	INSULATION D	4TEM220	Blockschaum 30kg	-
18*	1	RPL-71212	INSULATION PCB	BASIC SMALL	RG30, Tape D241, PP Foil 0.5, Black RA 2557	Electrical insulation.
19	1	RTS-02010	THERMOSTAT 75°C	9700H51-1638	Tin plated steel can	Bimetal type, Max. 7A
20	1	RYD-03030	FINGER GUARD 120	METAL WIRE	Steel	Chromium plated
21	1	RYD-06103	BRACKET OHT	9700	SS 2333 EN 14301, Steel, Stainless	For 9700 and 7AM type thermostats
22	1	RYD-70311	BRACKET FAN	HD150	EN AW-5005, sheet metal	Pre-anodised, Folie coated

Revision notes, dates (yyymmdd) and initiator (XXX):

- Rev. 05: 110921, Specification sheet update. (MNN)
- Rev. 04: 110816, Replaced Osterm-module with Lt-module. Introduced Hi-Pot rest. Replaced RXS-screws with RTS-screws. Removed bag with Thermally conductive grease. Valid from 70B-0011(AKMI)
- Rev. 3: 060418, RoHS fom CE6-6 (P.Cech)
- Rev. 2: 041109, Part nr. "R1E-KOPPLINGSKORT" replaced by part nr. "145002".

Comment / Deviations: Hi-Pot tested 750VDC.		General tolerances: SS-ISO 2768-1 v	First angle projection: ⌀	Dimension units: Metric: [mm]
Designed by: M. Nyman	Checked by: C. Johansson	Approved by: C. Johansson	Release date: 2011-09-21	Project: Standard
Customer:		Title: TE ASSEMBLY DIRECT - AIR, 115,24VDC		
Laird Technologies S-43153 Mölndal, Sweden tfn: +46 31 420530, fax: +46 31 247909 e-mail: info@lairdtech.com Web: www.lairdtech.com		Part nr: DA-115-24-02-00-00	Rev: 05	Version: -
Scale: -		Size, sheet A3, 3/4		

This drawing is the property of Laird Technologies, Inc. Protected in accordance with prevailing law.