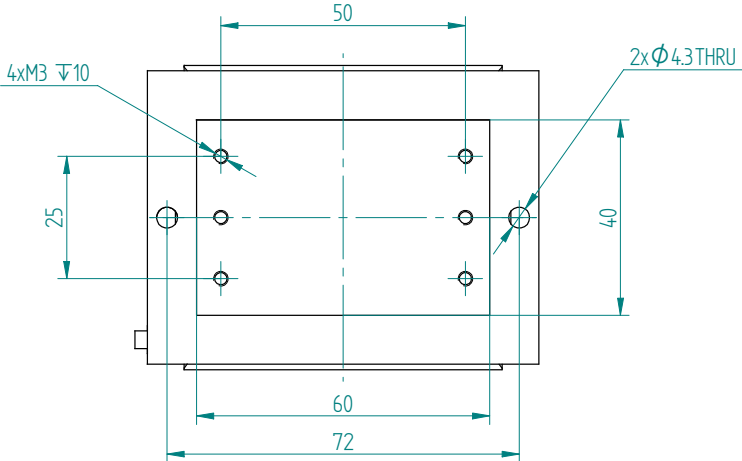


Specification (Ta=32°C)	Code:	Description:
Heat transfer, cold side:	D	Direct
Heat transfer, warm side:	A	Air
Cascade:	-	
Cooling power: [W]	024	Calculated 24 W at dT=0°C. Tolerance: ±10%.
Voltage, nominal: [VDC]	12	12 VDC
TEM Voltage: [VDC]		Nominal: 12 VDC, Max: 15 VDC
TEM Current: [A]		Nominal: 2.4 A, Initial: 2.8 A. All at dT=0°C. Tolerance: ±10%.
Fans, cold side:	0	None.
Fans, warm side:	2	L10, 50,000 hrs. at 25°C. Nominal current: 0.2 A. Voltage: 12 VDC ±10%.
Temperature controller, sensor:	0	None.
Temperature control settings, trim options:	0	-
Additional controller information		
Temperature control position:	0	-
Options:	0	-
Overheating thermostat:		None.
Operating temperature:		-10°C to +48°C at nominal voltage.
TE-Module(s) temperature specification:		Max. surface temperature: 80°C
Enclosed:		-
Packing:		Individual cardboard box.

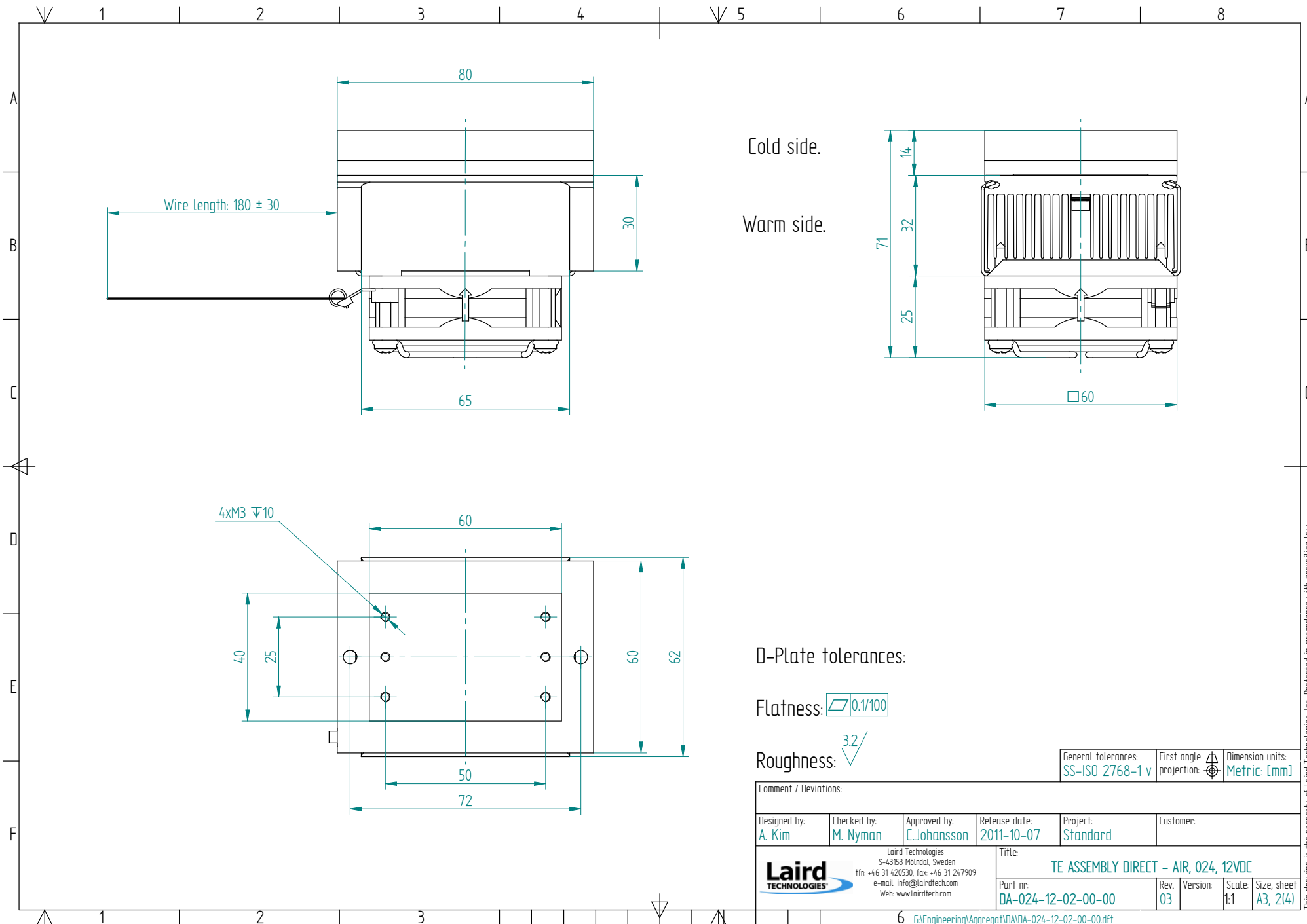
Electrical connections:
 TEM+: Pink
 TEM-: Green
 FAN+: Purple
 FAN-: Blue



General tolerances: SS-ISO 2768-1 v
 First angle projection:
 Dimension units: Metric: [mm]

Comment / Deviations:					
Designed by: A. Kim	Checked by: M. Nyman	Approved by: C. Johansson	Release date: 2011-10-07	Project: Standard	Customer:
Laird Technologies S-43153 Mölndal, Sweden tfn: +46 31 420530, fax: +46 31 247909 e-mail: info@lairdtech.com Web: www.lairdtech.com			Title: TE ASSEMBLY DIRECT - AIR, 024, 12VDC Part nr: DA-024-12-02-00-00		
Rev: 03	Version:	Scale: 1:1	Size, sheet: A3, 1(4)		

This drawing is the property of Laird Technologies, Inc. Protected in accordance with prevailing law.



Cold side.

Warm side.

D-Plate tolerances:

Flatness: $\square 0.1/100$

Roughness: $\sqrt{3.2}$

General tolerances: SS-ISO 2768-1 v	First angle projection: 	Dimension units: Metric: [mm]
--	-----------------------------	----------------------------------

Comment / Deviations:					
Designed by: A. Kim	Checked by: M. Nyman	Approved by: C. Johansson	Release date: 2011-10-07	Project: Standard	Customer:
 Laird Technologies S-43153 Molndal, Sweden tfn: +46 31 420530, fax: +46 31 247909 e-mail: info@lairdtech.com Web: www.lairdtech.com			Title: TE ASSEMBLY DIRECT - AIR, 024, 12VDC Part nr: DA-024-12-02-00-00 Rev: 03 Version: Scale: 1:1 Size, sheet: A3, 2/4		