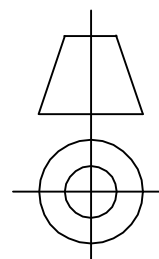
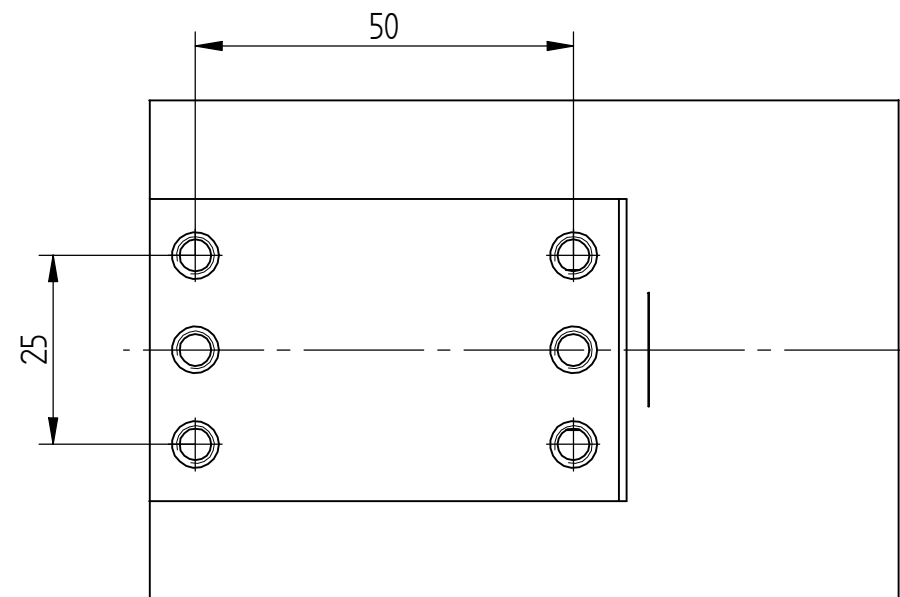

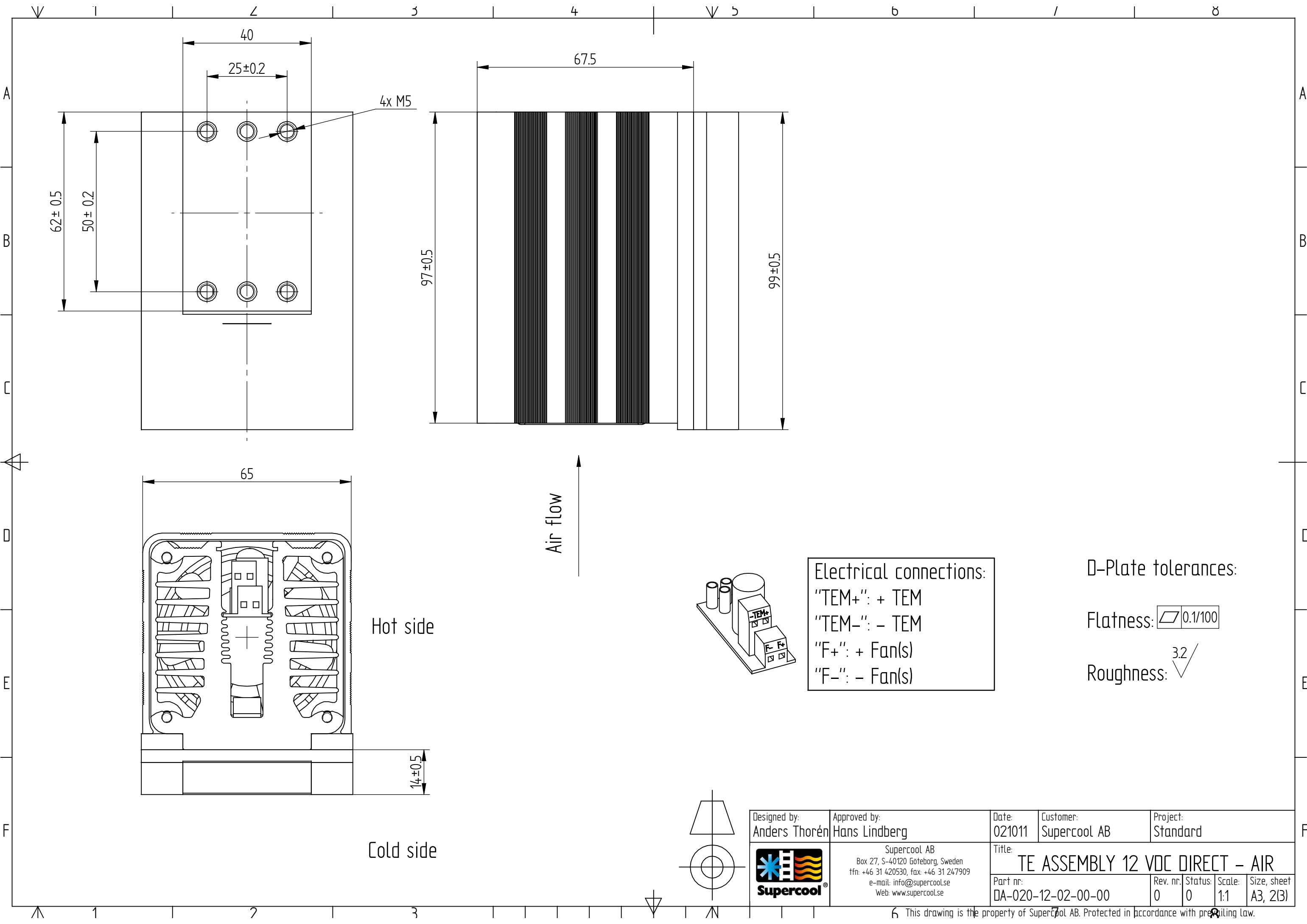


Specification: (Ta=32°C)	Code:	Description:
Heat transfer, cold side:	D	Direct
Heat transfer, warm side:	A	Air
Cascade:	-	
Cooling power: [W]	20	19 W at dT=0°C and Ta=32°C.
Voltage, nominal: [VDC]	12	12 VDC (14.7 VDC MAX).
Current, nominal: TE-Module(s):		2.7 A Th max 80°C
Fans, cold side:	0	None
Fans, warm side:	2	12 VDC, 0.23A, 60x60x25 mm, MTBF: 40,000 hrs. L10
Temperature controller, sensor:	0	None
Temperature control settings:	0	-
Trimmable:		-
Accuracy & Hysteresis:		-
Temperature control position:	0	-
Options: Voltage protection:	0	-
Rapid Cooling / Economy		-
Weight:		0.56 kg
Overheating thermostat:		None
Max. operating temperature:		44°C
Enclosed:		Thermal grease
Packing:		Individual cardboard box

Mounting hole print.



Designed by: Anders Thorén	Approved by: Hans Lindberg	Date: 021011	Customer: Supercool AB	Project: Standard
		Title: TE ASSEMBLY 12 VDC DIRECT – AIR		
Supercool AB Box 27, S-40120 Göteborg, Sweden tfn: +46 31 420530, fax: +46 31 247909 e-mail: info@supercool.se Web: www.supercool.se		Part nr: DA-020-12-02-00-00	Rev. nr: 0	Status: 0
		Scale: 1:1	Size, sheet A3, 1(3)	




Electrical connections:
 "TEM+": + TEM
 "TEM-": - TEM
 "F+": + Fan(s)
 "F-": - Fan(s)

D-Plate tolerances:

Flatness: $\square 0.1/100$

Roughness: $\sqrt{3.2}$

Designed by: Anders Thorén	Approved by: Hans Lindberg	Date: 021011	Customer: Supercool AB	Project: Standard
 Supercool AB Box 27, S-40120 Göteborg, Sweden tfn: +46 31 420530, fax: +46 31 247909 e-mail: info@supercool.se Web: www.supercool.se		Title: TE ASSEMBLY 12 VDC DIRECT - AIR		
		Part nr: DA-020-12-02-00-00	Rev. nr: 0	Status: 0