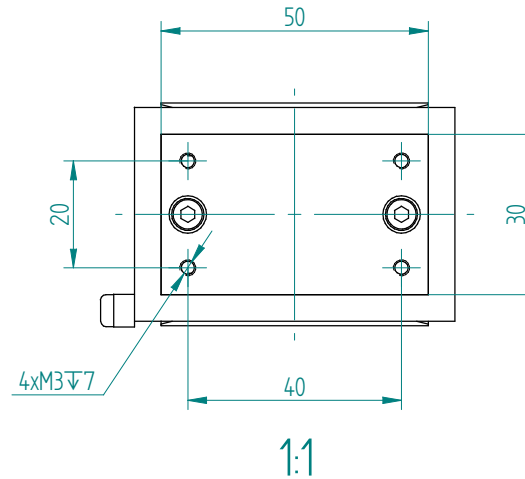


Specification: (Ta=32°C)	Code:	Description:
Heat transfer, cold side:	D	Direct
Heat transfer, warm side:	A	Air
Cascade:	-	
Cooling power: [W]	0%	12 W at dT=0°C. Tolerance: ±10%.
Voltage, nominal: [VDC]	12	12 VDC.
TEM Voltage: [VDC]		Nominal: 12 VDC, Max: 15 VDC.
TEM Current: [A]		Nominal: 18 A, Initial: 23 A. All at dT=0°C. Tolerance: ±10%.
Fan(s), cold side:	0	None.
Fan(s), warm side:	2	L10: 50,000 hrs. at 25°C. Nominal current: 0.1 A. Voltage: 12 VDC ±10%.
Temperature controller, sensor:	0	None.
Temperature control settings, trim options:	0	-
Additional controller information:		
Temperature control position:	0	-
Options:	0	-
Overheating thermostat:		None.
Operating temperature:		-10°C to +44°C at nominal voltage.
TE-Module(s) temperature specification:		Max. surface temperature: 80°C.
Enclosed:		-
Packing:		Individual cardboard box.

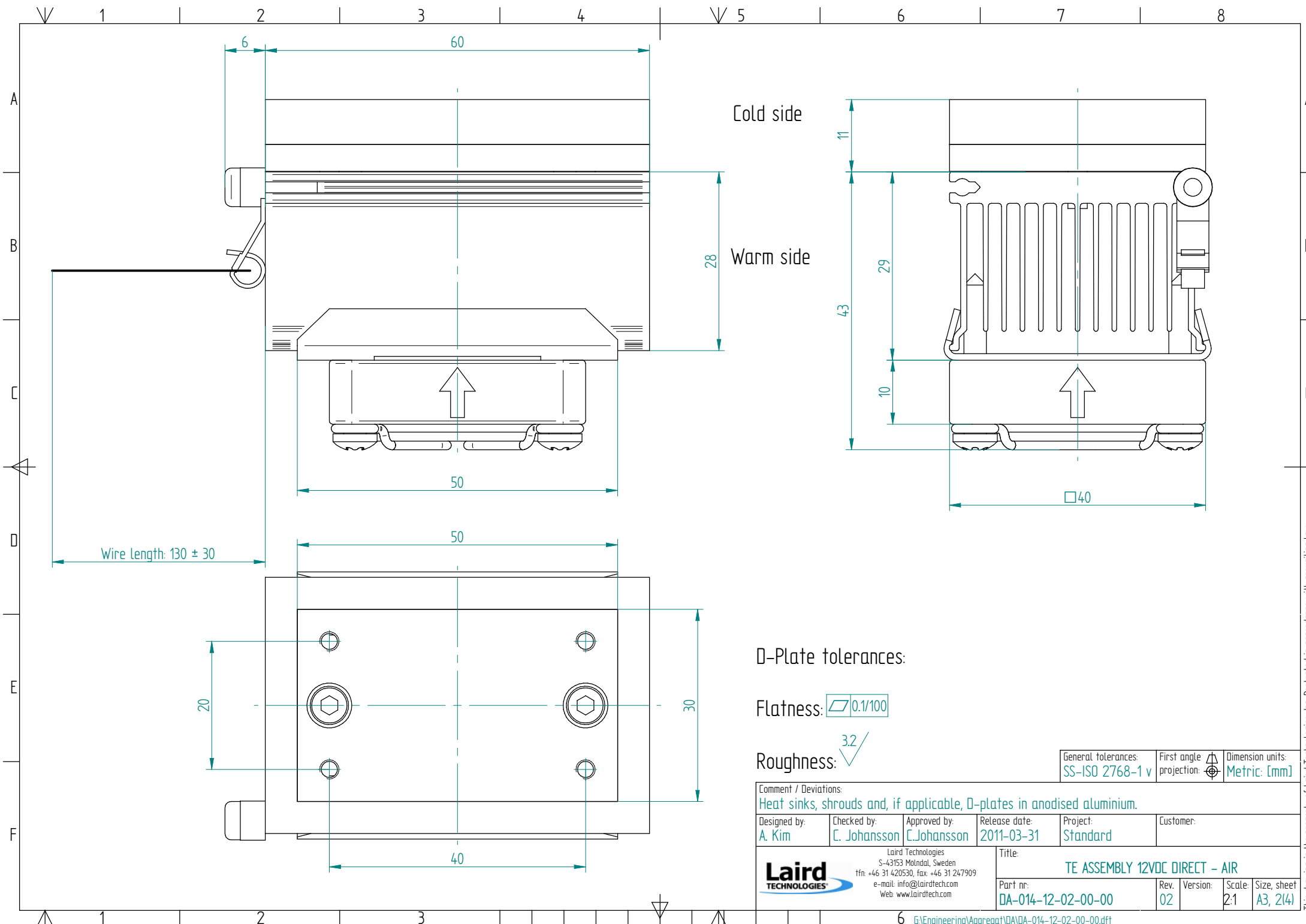
### Mounting dimensions.



Electrical connections:  
 TEM+: Purple  
 TEM-: Blue  
 FAN+: Brown  
 FAN-: Grey

General tolerances: SS-ISO 2768-1 v  
 First angle projection: Dimension units: Metric: [mm]

Comment / Deviations: Heat sinks, shrouds and, if applicable, D-plates in anodised aluminium.					
Designed by: A. Kim	Checked by: C. Johansson	Approved by: C. Johansson	Release date: 2011-03-31	Project: Standard	Customer:
Laird Technologies S-43153 Molndal, Sweden tfn: +46 31 420530, fax: +46 31 247909 e-mail: info@lairdtech.com Web: www.lairdtech.com			Title: TE ASSEMBLY 12VDC DIRECT - AIR		
Part nr: DA-014-12-02-00-00			Rev: 02	Version:	Scale: Size, sheet 2:1 A3, 1/4



Cold side

Warm side

D-Plate tolerances:

Flatness:  $\square 0.1/100$

Roughness:  $\sqrt{3.2}$

General tolerances: SS-ISO 2768-1 v	First angle projection:	Dimension units: Metric: [mm]
--	-------------------------	----------------------------------

Comment / Deviations: Heat sinks, shrouds and, if applicable, D-plates in anodised aluminium.					
Designed by: A. Kim	Checked by: C. Johansson	Approved by: C. Johansson	Release date: 2011-03-31	Project: Standard	Customer:
Laird Technologies S-43153 Molndal, Sweden tfn: +46 31 420530, fax: +46 31 247909 e-mail: info@lairdtech.com Web: www.lairdtech.com			Title: TE ASSEMBLY 12VDC DIRECT - AIR		
			Part nr: DA-014-12-02-00-00	Rev: 02	Version: