

Features/Benefits

- Easy X, Y coding on single side PCB
- Positive/ smooth tactile feedback
- High temperature
- Wide variety of colors & styles
- Illuminated versions available
- RoHS compliant and compatible

Typical Applications

- Video
- Electronic games
- Appliances



Construction

FUNCTION: momentary
 CONTACT ARRANGEMENT: 1 make contact (SPST), NO
 DISTANCE BETWEEN BUTTON CENTERS, MIN.: 12,7 (0.500)
 TERMINALS: PC pins

Electrical

	Non-Illuminated	Illuminated
SWITCHING POWER MAX.:	3 VA	0.35 VA
SWITCHING VOLTAGE MAX.:	32 V DC	35 V DC
SWITCHING CURRENT MAX.:	100 mA DC	10 mA DC
OPERATING LIFE with max. switching power:	Version F1: 250 000 operations Version F2: 100 000 operations	Version F1: 100 000 operations Version F2: 30 000 operations
CONTACT RESISTANCE:	≤100 mΩ	≤200 mΩ
DIELECTRIC STRENGTH (50 Hz / 1 min):	250 V	
INSULATION RESISTANCE:	≥10 ⁹ Ω	
BOUNCE TIME:	≤10 ms	

Mechanical

	Non-Illuminated	Illuminated
SWITCHING TRAVEL:	Version F1: 0.2 mm ≤ Te ≤ 1.0 mm Version F2: 0.3 mm ≤ Te ≤ 1.1 mm	0.4 mm ≤ Te ≤ 0.8 mm
OPERATING FORCE:	Version F1: 0.8N ≤ Fa ≤ 1.8N Version F2: 2.0N ≤ Fa ≤ 3.5N	Version F1: 0.8N ≤ Fa ≤ 1.8N Version F2: 1.5N ≤ Fa ≤ 2.5N
SEALING:	IP40	

Environmental

	Non-Illuminated	Illuminated
OPERATING TEMPERATURE:	-20°C to 85°C	-20°C to 60°C

Process

SOLDERABILITY:

Wave soldering, compatible with lead free soldering profile
 Hand soldering, 350°C for 3 seconds

Packaging

The D6 switches are delivered in boxes containing 10 trays with 250 pieces each:
 Total 2,500 pieces per box.
 The D6 buttons are delivered in bulk with 2500 pieces per box.

D6 SPST Momentary Key Switches

How To Order

Our easy build-a-switch concept allows you to mix and match options to create the switch you need. To order, select desired option from each category and place it in the appropriate box.

NON-ILLUMINATED

Switch

Series
D6C Square
D6R Round
D6L* Plunger
D6F** Flat

Switch Color
00 White
10 Gray
30 Yellow
40 Red
50 Green
60 Blue
90 Black

Force
F1 1.3N (STD)
F2 2.5N

RoHS compliant and compatible product

*Available only in color 90 (black)
 ** Available only in color 90 (black) and 00 (white)

Button

Buttons can be ordered separately
 Shipped in bulk

D6 button for use with D6C only

Series
BTND6 Button

Button Color
00 White
10 Gray
30 Yellow
40 Red
50 Green
60 Blue
90 Black

Version F1 or F2

ILLUMINATED

Switch

Series
D6R Round

LED
L LED

LED Color 1
WH White
YE Yellow
RD Red
GN Green
BU Blue
PG Pure Green
AM Amber

LED Color 2
WH White
YE Yellow
RD Red
GN Green
BU Blue
PG Pure Green
AM Amber

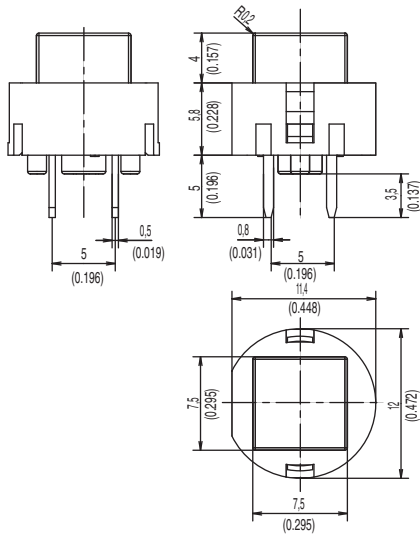
Force
F1 1.3N
F2 2.0N

RoHS compliant and compatible product

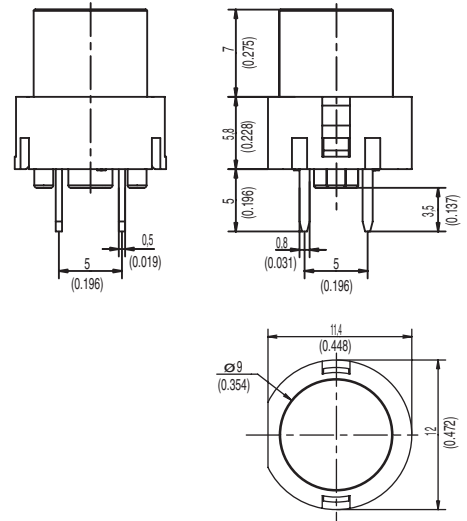
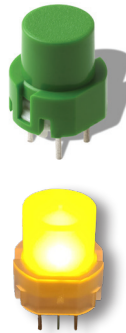
D6 SPST Momentary Key Switches

SERIES

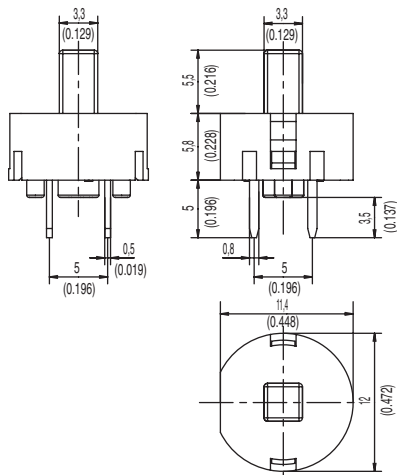
D6C



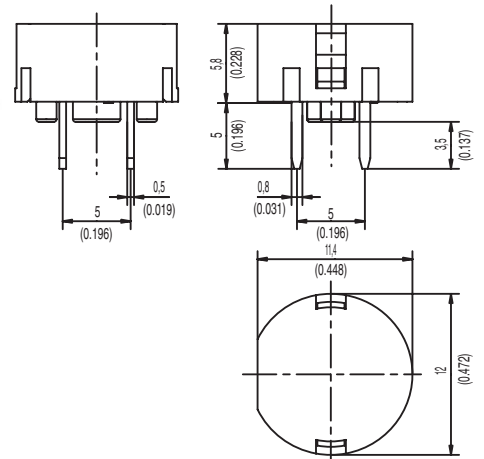
D6R



D6L ONLY AVAILABLE IN BLACK



D6F

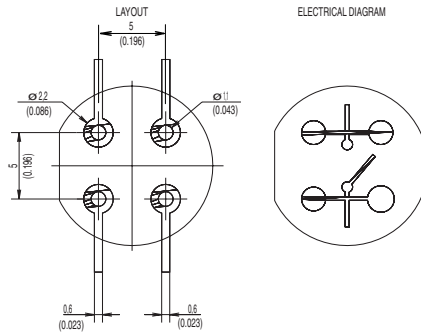


Key Switches

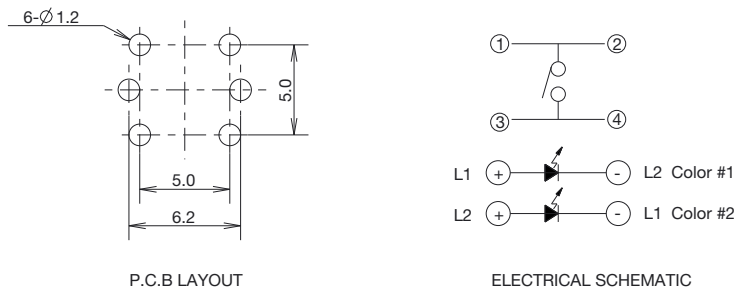
D6 SPST Momentary Key Switches

PCB LAYOUT

Switch (Non-Illuminated)



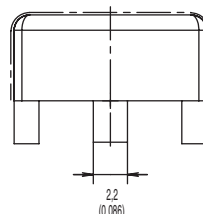
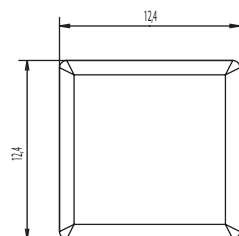
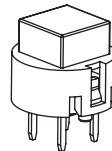
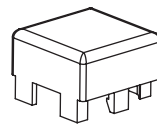
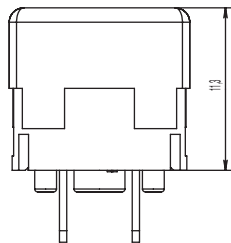
Switch (Illuminated)



BUTTON AVAILABLE

BTND6 Buttons must be ordered separately. Shipped in bulk.

NOTE: Only compatible with D6C



OPTION CODE	BUTTON COLOR
00	WHITE
10	GRAY
30	YELLOW
40	RED
50	GREEN
60	BLUE
90	BLACK



First Angle
Projection

Dimensions are shown: mm
Specifications and dimensions subject to change