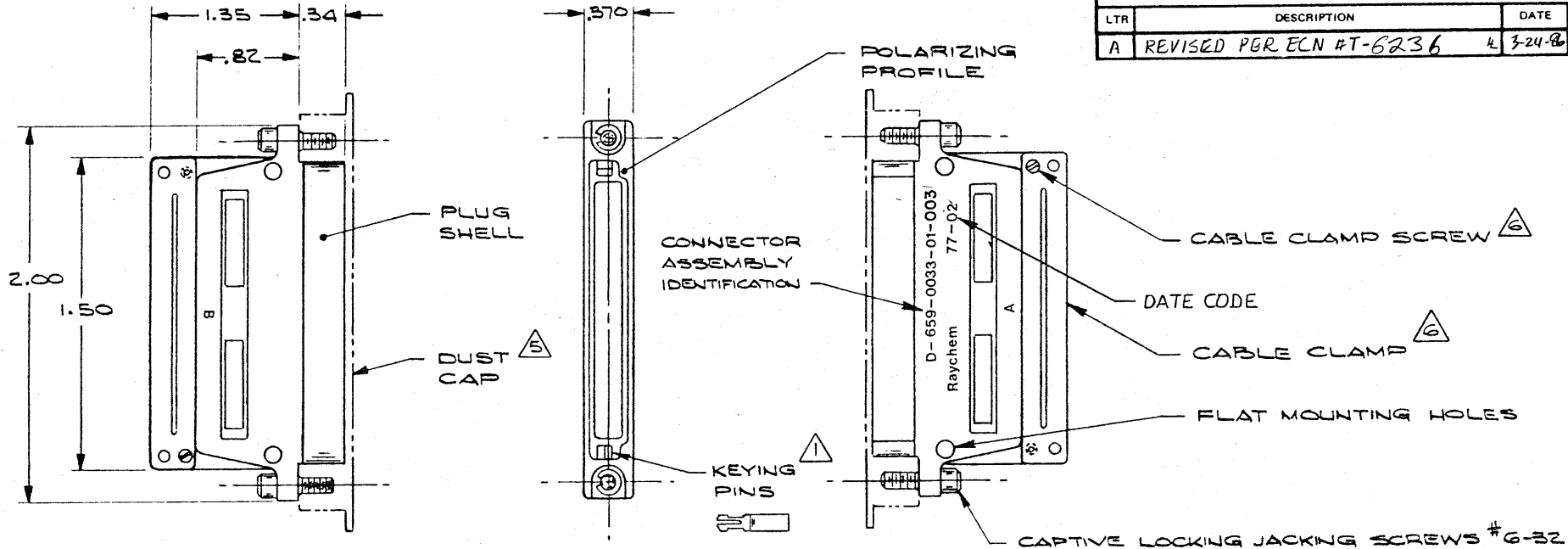


REVISIONS			
LTR	DESCRIPTION	DATE	APPROVED
A	REVISED PER ECN #T-6236	4/3-24-86	JB



NOTES :

1. KEYING CODE DOES NOT FORM A PART OF RAYCHEM PART NUMBER SYSTEM AND SHOULD BE OMITTED WHEN ORDERING . KEYING PINS ARE SUPPLIED UN-INSTALLED .
2. CONNECTOR SUB-ASSEMBLY SUPPLIED IN KIT FORM AND SHALL BE ASSEMBLED BY USER . THE COMPLETED ASSEMBLY DESIGNED TO MEET APPLICABLE REQUIREMENTS OF SPECIFICATION D-6007 .  
KIT INCLUDES :
  - a. PLUG SHELL SUB-ASSY (INCLUDES ASSEMBLED JACKSCREW LOCKING MECHANISM) D-659-0033-04-003.
  - b. CABLE CLAMP AND BUSHING -2 EA. D-659-0033-03-003.
  - c. CABLE CLAMP SCREWS CHA-0028-003.
  - d. KEYING PINS , D-659-0045 .
3. CONNECTOR COMPONENTS AND ACCESSORIES ARE INDIVIDUALLY BAGGED AND LABELED .
4. REFER TO RAYCHEM SPEC . D-6007 FOR COMPLETE DETAILS .
5. CONNECTOR SUPPLIED WITH A SHIPPING DUST CAP OVER ENGAGING END .
6. CABLE CLAMP AND CABLE CLAMP SCREW SUPPLIED UN-ASSEMBLED .

7. CONNECTOR SUB-ASSEMBLY USED IN CONNECTOR KIT #D-659-0033 .
8. CADMIUM PLATING IS PER QQ-P-416 OVER NICKEL UNDERPLATE .

**SPECIFICATION CONTROL DRAWING**  
 If this document is printed it becomes uncontrolled.  
 Check with the web for latest revision.

UNLESS OTHERWISE SPECIFIED DIMENSIONS ARE IN INCHES AND TOLERANCES ARE: .XXX : ± — .XX : ± — .X : ± —	DRAWN	LUTTICKEN <i>1/2</i>		RAYCHEM 300 CONSTITUTION DRIVE MENLO PARK, CALIFORNIA 94025	
	CHECKED	JS			
MATERIAL	APPROVED	Pina 2-5-86		TITLE KIT, CONNECTOR, PLUG, SUB-ASSEMBLY AND KEYING PINS, ONE INCH MTC SERIES CADMIUM PLATED	
	APPROVED				
FINISH	PART NO.	SIZE	CODE IDENT.	DWG. NO.	
	PROJECT	B	NO. 06090	D-659-0033-01-003	
		SCALE	WEIGHT	SHEET — OF —	