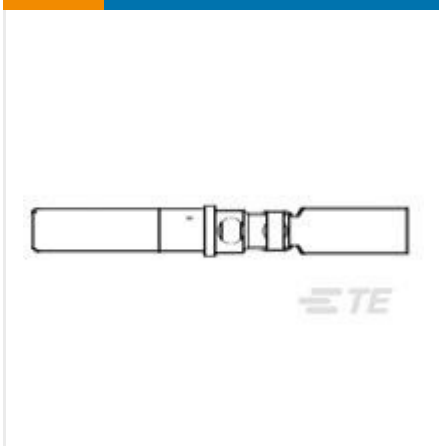




HARNESSING

SHIELDED CONTACTS



✓ Active

TE CONNECTIVITY (TE)

D-602-0289

Raychem

D-602-0289

TE Internal Number: 692485-000

Alias ID: 1-1195436-7

Not EU RoHS Compliant

Not EU ELV Compliant

Product Type Contact

Wire/Cable Type Twisted Pair

Contact Style Socket

Contact Size 16, Subminiature

↓ **PRODUCT DRAWING**
English

↓ **3D PDF**

DOCUMENTATION

Product Drawings

Subminiature Contact, Socket Twisted Pair

PDF

English

CAD Files

Customer View Model

2D_DXF.ZIP

English

3D PDF

PDF

3D

Customer View Model

3D_IGS.ZIP

English

Customer View Model

3D_STP.ZIP

English

Catalog Pages/Data Sheets

1654025_Sec8_D-602

PDF

English

Product Specifications

Product Specification

Terminating D-602-0288, -0289 Subminiature SolderTact Contacts To Twisted Pair Cable

PDF

English

FEATURES



Please review product documents or [contact us](#) for the latest agency approval information.

Please Note: Use the Product Drawing for all design activity.

Product Type Features

Product Type Contact

Wire/Cable Type Twisted Pair

Contact Features

Contact Style Socket

Contact Size 16, Subminiature

Termination Features

Termination Method Solder

Usage Conditions

Operating Temperature (Max) (°C) 150

Industry Standards

Government Qualified No

Other

Comment Commercial item.

Statement of Compliance

