

# AC centrifugal fan

forward curved, dual inlet  
with housing (large flange)

## ebm-papst Mulfingen GmbH & Co. KG

Bachmühle 2  
D-74673 Mulfingen  
Phone: +49(0)7938/81-0  
Fax: +49(0)7938/81-110  
info1@de.ebmpapst.com  
www.ebmpapst.com

### Nominal data

Type	D4E180-CA02-36			
Motor	M4E068-LA			
Phase		1~	1~	1~
Nominal voltage	[V]	230	230	230
Frequency	[Hz]	50	60	60
Type of data definition		rfa	rfa	rfa
Valid for approval / standard		CE	UL	CE
Speed	[min <sup>-1</sup> ]	1250	1170	1280
Power input	[W]	380	540	495
Current draw	[A]	1.68	2.4	2.16
Motor capacitor	[μF]	10	10	10
Capacitor voltage	[VDB]	400	400	400
Capacitor standard			UL	
Min. back pressure	[Pa]	0	0	0
Max. ambient temperature	[°C]	60	35	35

ml = max. load · me = max. efficiency · rfa = running at free air · cs = customer specs · cu = customer unit  
Subject to alterations

# AC centrifugal fan

forward curved, dual inlet  
with housing (large flange)

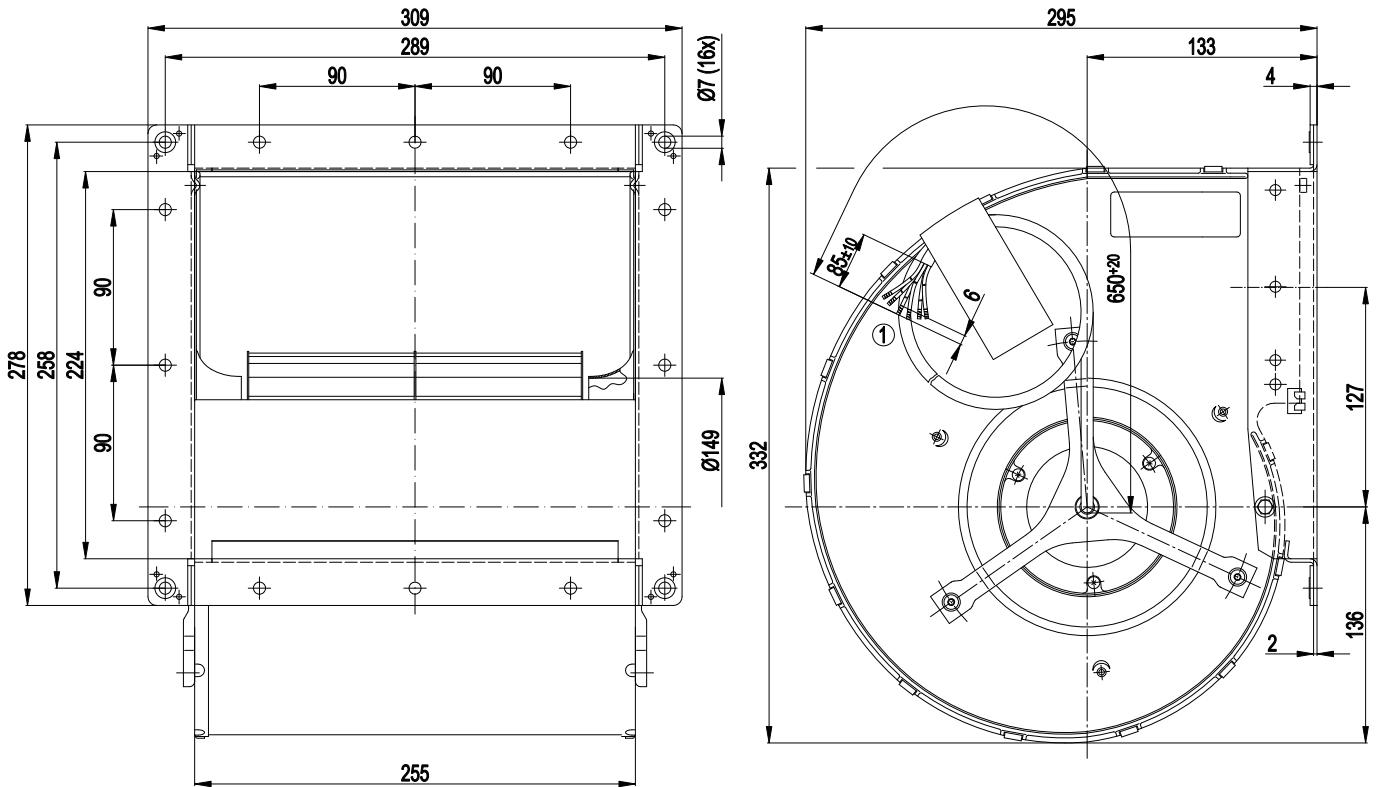
## Technical features

Leakage current	< 0.75 mA
Size	180 mm
Operation mode	S1
Direction of rotation	Counter-clockwise, seen on rotor
Mounting position	Any
Insulation class	"B"
Cable exit	Axial
Condensate discharge holes	None
Bearing motor	Ball bearing
Mass	10.3 kg
Housing material	Sheet steel, hot-galvanised
Material of impeller	Sheet steel, hot-galvanised
Motor protection	Thermal overload protector (TOP) brought out
Product conforming to standard	CE; EN 60335-1
Surface of rotor	Coated in black
Type of protection	IP 44; Depending on installation and position
Protection class	I
Max. permissible ambient motor temp. (transp./ storage)	+ 80 °C
Min. permissible ambient motor temp. (transp./storage)	- 40 °C
Approval	CCC; CSA C22.2 Nr.100; UL 1004-1

## AC centrifugal fan

forward curved, dual inlet  
with housing (large flange)

## Product drawing

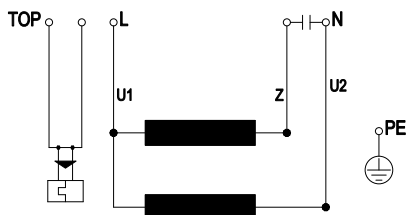


- 1 Anschlussleitung PFA AWG 20 (gn/ge AWG 18), 6x Aderendkrallen angeschlagen; zur Transportsicherung mit Klebeband am Gehäuse befestigt.

# AC centrifugal fan

forward curved, dual inlet  
with housing (large flange)

## Connection screen



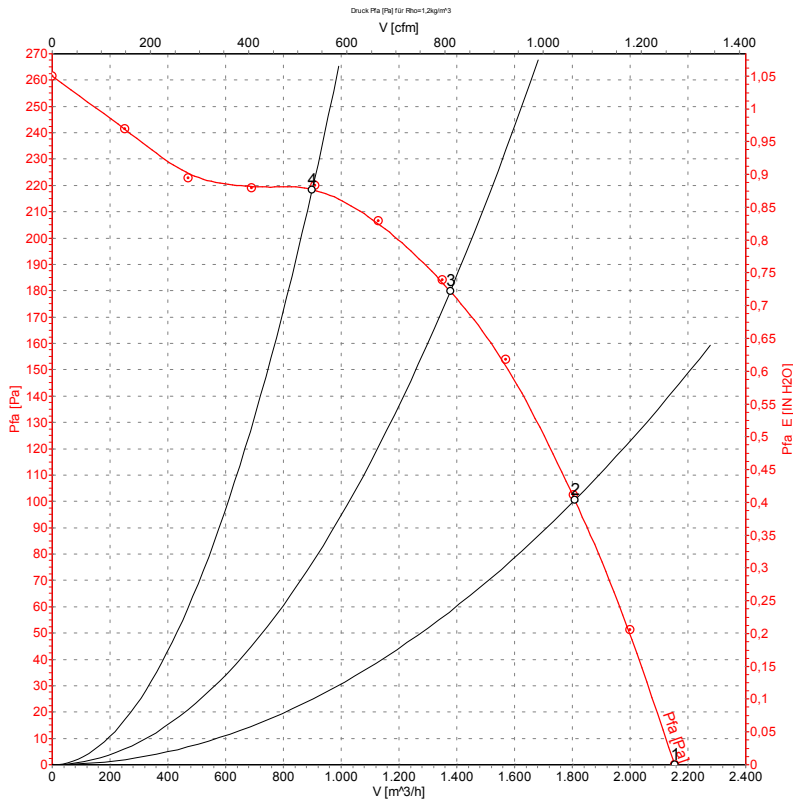
Note: TOP brought out

TOP	2 x grey	U1	blue	Z	brown
U2	black	PE	green / yellow		

# AC centrifugal fan

forward curved, dual inlet  
with housing (large flange)

## Charts: Air flow 50 Hz



Measurement: LU-105030

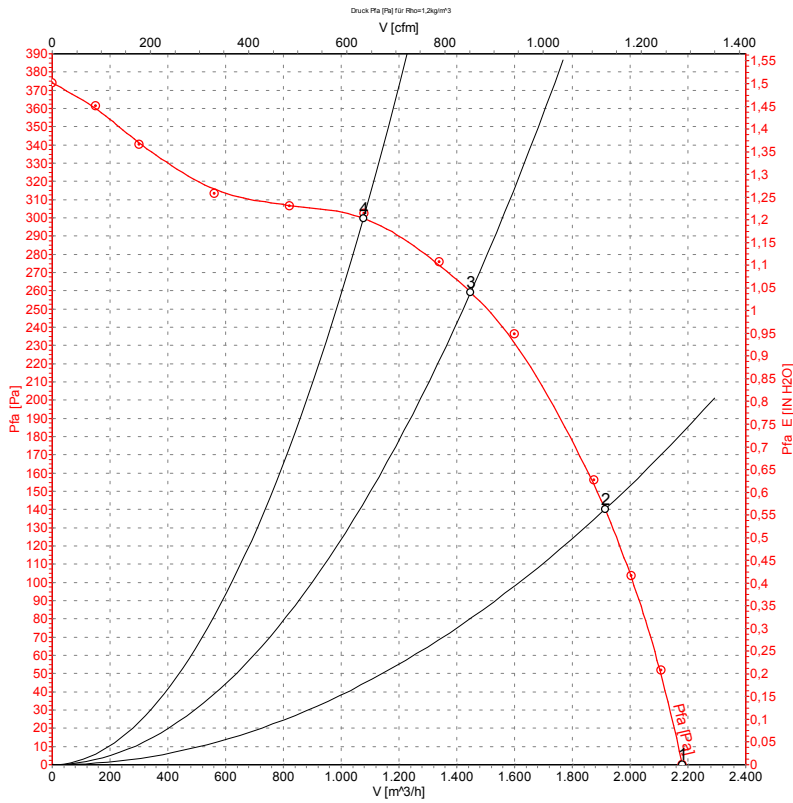
## Measured values

	U	f	n	P <sub>1</sub>	I	Ŷ	P <sub>fa</sub>
	[V]	[Hz]	[min <sup>-1</sup> ]	[W]	[A]	[m³/h]	[Pa]
1	230	50	1250	380	1.68	2155	0
2	230	50	1330	302	1.34	1810	100
3	230	50	1385	245	1.10	1375	180
4	230	50	1430	191	0.89	900	220

# AC centrifugal fan

forward curved, dual inlet  
with housing (large flange)

## Charts: Air flow 60 Hz



Measurement: LU-105032

## Measured values

	U	f	n	P <sub>1</sub>	I	Ŷ	P <sub>fa</sub>
	[V]	[Hz]	[min <sup>-1</sup> ]	[W]	[A]	[m³/h]	[Pa]
1	230	60	1280	495	2.16	2180	0
2	230	60	1470	410	1.79	1915	140
3	230	60	1600	331	1.48	1450	260
4	230	60	1660	280	1.29	1075	300