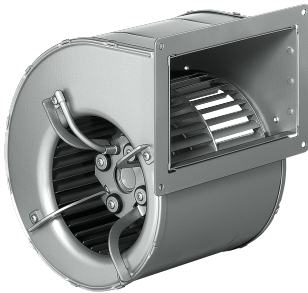


D4E160-DA01-02

# AC centrifugal fan

forward curved, dual inlet  
with housing (without flange)



**ebm-papst Mulfingen GmbH & Co. KG**

Bachmühle 2

D-74673 Mulfingen

Phone +49 7938 81-0

Fax +49 7938 81-110

info1@de.ebmpapst.com

www.ebmpapst.com

## Nominal data

Type	D4E160-DA01-02		
Motor	M4E068-DF		
Phase		1~	1~
Nominal voltage	VAC	230	230
Frequency	Hz	50	60
Type of data definition		rfa	rfa
Valid for approval / standard		CE	CE
Speed	min <sup>-1</sup>	1100	1100
Power input	W	120	145
Current draw	A	0.53	0.64
Motor capacitor	µF	3	3
Capacitor voltage	VDB	450	450
Min. back pressure	Pa	0	0
Max. ambient temperature	°C	60	40

ml = max. load · me = max. efficiency · rfa = running at free air · cs = customer specs · cu = customer unit  
Subject to alterations

# AC centrifugal fan

forward curved, dual inlet  
with housing (without flange)

## Technical features

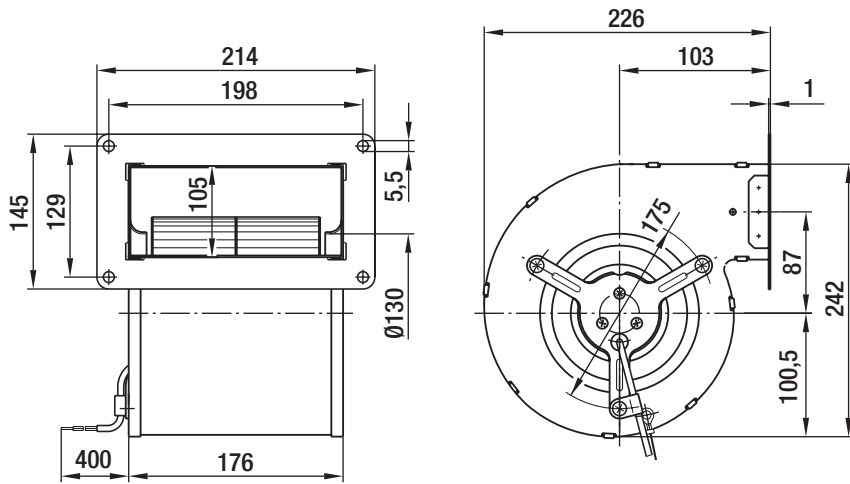
Leakage current	< 0.75 mA
General description	Without flange
Size	160 mm
Operation mode	Continuous operation (S1)
Direction of rotation	Counter-clockwise, seen on rotor
Humidity class	F0
Insulation class	"B"
Motor bearing	Ball bearing
Mass	4.3 kg
Housing material	Sendzimir galvanized sheet steel
Material of impeller	Sendzimir galvanized sheet steel
Motor protection	Thermal overload protector (TOP) wired internally
Product conforming to standard	CE
Type of protection	IP 44
Protection class	I
Approval	CCC

D4E160-DA01-02

# AC centrifugal fan

forward curved, dual inlet  
with housing (without flange)

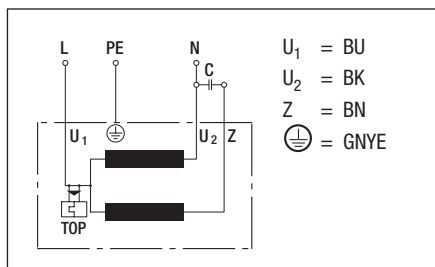
## Product drawing



# AC centrifugal fan

forward curved, dual inlet  
with housing (without flange)

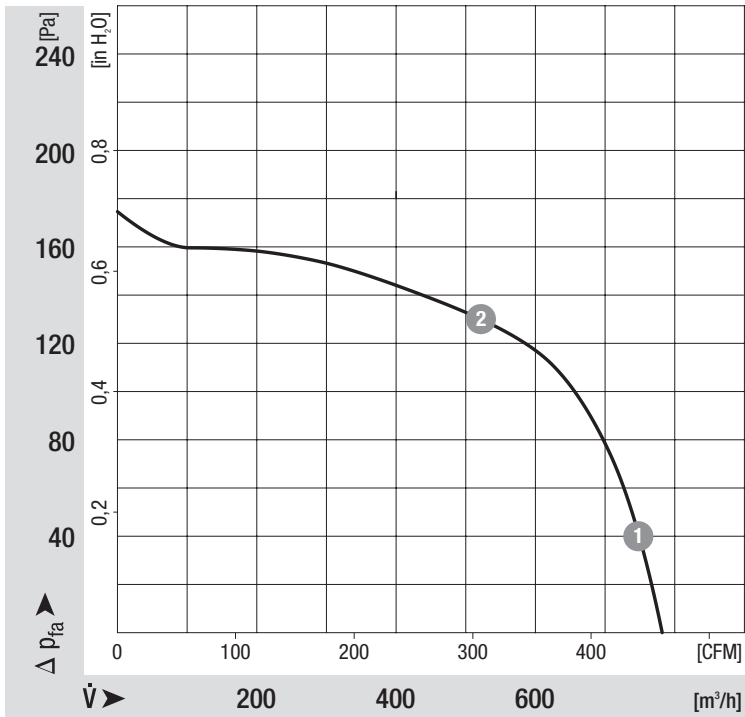
## Connection screen



# AC centrifugal fan

forward curved, dual inlet  
with housing (without flange)

## Charts: Air flow 50 Hz



## Measured values

	n	P <sub>e</sub>	I
	min <sup>-1</sup>	W	A
1	1230	114	0.50
2	1360	93	0.41

# AC centrifugal fan

forward curved, dual inlet  
with housing (without flange)

## Charts: Air flow 60 Hz

