



QPL DUST CAPS

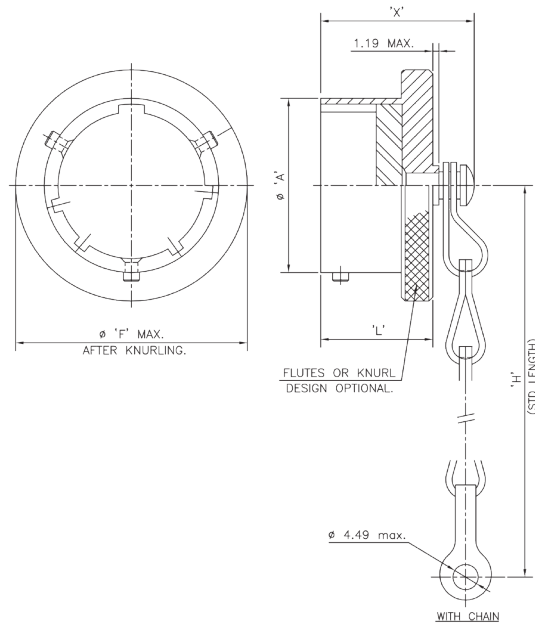
Environmental protection for circular connectors.



PROTECTIVE CAPS JANMS3180

MIL-DTL-26482

JANMS3180	10	C	A	L
Designates Plug Dust Cover	SHELL SIZE	STYLE	FINISH	LENGTH
	8 10 12 14 16 18 20 22 24	C: W/ Chain R: W/ SS Rope	A: Hard Anodize Black K: Black Zinc Nickel L: Electroless Nickel W: Cadmium Olive Drab	L: 5 in. Chain /Rope in lieu of standard length (Omit for st. length "H")

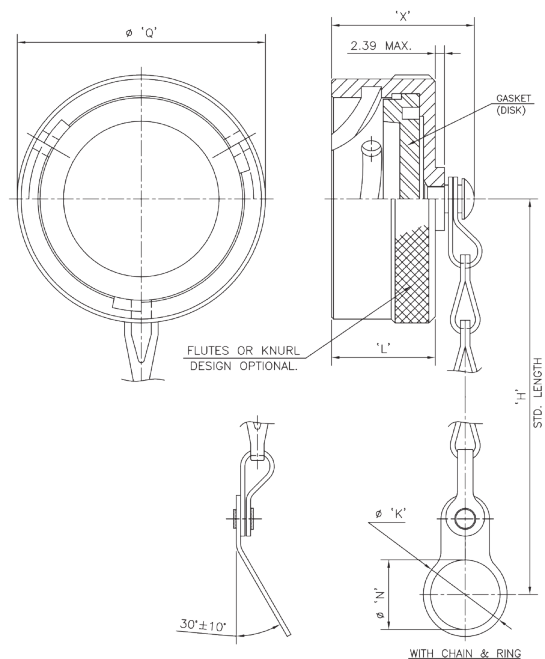


Shell Size	A ϕ +0.03 / -0.13		F ϕ Max. Overall		H Std. Length +12.70 / -6.35		L Max. Length		X Max. Overall	
	mm	inch	mm	inch	mm	inch	mm	inch	mm	inch
8	12.01	0.47	18.26	0.71	76.20	3	14.27	0.56	19.84	0.78
10	14.99	0.59	21.44	0.84						
12	19.05	0.75	25.40	1						
14	22.22	0.87	28.58	1.12						
16	25.40	1	31.75	1.25	88.90	3.5				
18	28.58	1.12	34.92	1.37						
20	31.75	1.25	38.10	1.5						
22	34.92	1.37	41.28	1.62	101.60	4	15.88	0.62	21.44	0.84
24	38.10	1.5	44.45	1.75			16.71	0.65	22.22	0.87

PROTECTIVE CAPS JANMS3181

MIL-DTL-26482

JANMS3181	10	C	A	L
Designates Receptacle Dust Cover	SHELL SIZE	STYLE	FINISH	LENGTH
	8 10 12 14 16 18 20 22 24	C: W/ Chain N: W/ Chain & Ring R: W/ SS Rope	A: Hard Anodize Black K: Black Zinc Nickel L: Electroless Nickel W: Cadmium Olive Drab	L: 5 in. Chain /Rope in lieu of standard length (Omit for st. length "H")

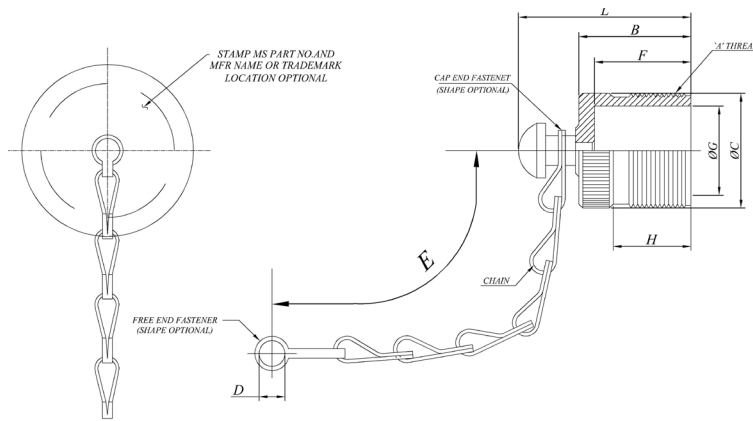


Shell Size	X Max. Overall		H Std. Length +12.70 / -6.35		K Ø Max. Length		L Max.		N Ø Min.		Q Ø Max. Overall	
	mm	inch	mm	inch	mm	inch	mm	inch	mm	inch	mm	inch
8	21.44	0.84	76.20	3	20.62	0.81	14.27	0.56	14.68	0.57	18.64	0.73
10					25.4	1			17.86	0.70	21.82	0.85
12					30.18	1.18			22.63	0.89	25.40	1
14					36.53	1.43			25.81	1.01	28.58	1.12
16			39.67	1.56	28.98	1.14			31.75	1.25		
18			42.88	1.68	32.16	1.26			34.92	1.37		
20			47.55	1.87	35.33	1.39			38.10	1.5		
22			49.23	1.93	38.51	1.51			41.28	1.62		
24	22.22	0.87	101.60	4	52.37	2.06	15.29	0.6	41.68	1.64	44.45	1.75

PLUG DUST CAPS MS25042

AS50151

MS25042	10	D
Designates Plug Dust Cover	SHELL SIZE	FINISH
	8	D: Cadmium Olive Drab over Electroless Nickel DA: Black Anodize Per AMS-8625, Type II, Class II
	10	
	12	
	14	
	16	
	18	
	20	
	22	
	24	
	28	
	32	
	36	
40		
44		
48		

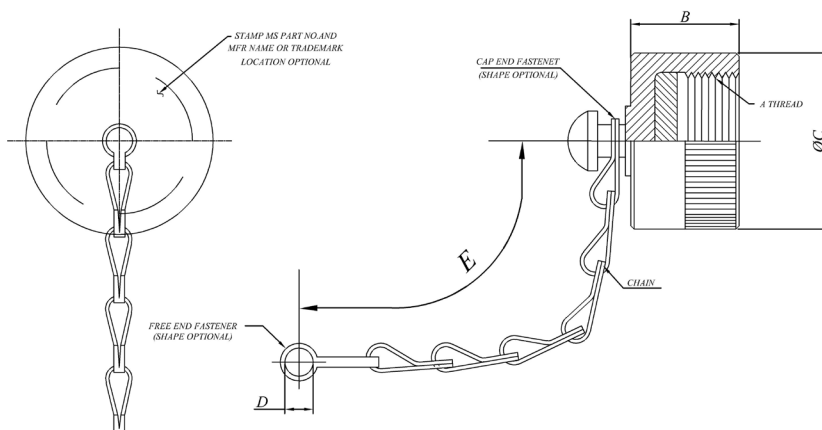


Shell Size	A Thread-2B	B Max.		C Max.		D Max.		E Attachment ± 1mm		F Ref.		G Ref.		H Min.		L Max.			
		mm	inch	mm	inch	mm	inch	mm	inch	mm	inch	mm	inch	mm	inch	mm	inch		
8	0.500-28 UNEF	16.7	0.65	14.3	0.56	3.8	0.14	101.6	4	14.3	0.56	9.5	0.37	9.7	0.38	24.6	0.97		
10	0.625-24 UNEF	21.4	0.84	17.4	0.68			114.3	4.5	19.1	0.75	33.3	1.31					0.75	0.46
12	0.750-20 UNEF			20.6	0.81													14.3	0.56
14	0.875-20 UNEF			23.8	0.93			17.5	0.68										
16	1.000-20 UNEF			27.0	1.06	20.5	0.80												
18	1.125-18 UNEF			30.1	1.18	23.8	0.93												
20	1.250-18 UNEF			33.3	1.31	27.0	1.06												
22	1.375-18 UNEF	4.6	0.18	36.5	1.43	196.9	7.75	5.4	0.21	38.9	1.53	30.2	1.18	13.5	0.53	29.4	1.15		
24	1.500-18 UNEF			39.7	1.56							33.3	1.31						
28	1.750-18 UNEF			46.0	1.81							38.9	1.53						
32	2.000-18 UNEF			52.4	2.06							45.2	1.77						
36	2.250-16 UN			58.7	2.31							50.8	2						
40	2.500-16 UN			65.1	2.56							57.2	2.25						
44	2.750-16 UN	5.4	0.21	71.4	2.81	196.9	7.75	5.4	0.21	63.5	2.5	69.9	2.75	15.0	0.59				
48	3.000-16 UN			77.8	3.06													69.9	2.75

RECEPTACLE DUST CAPS MS25043

AS50151

MS25043	10	D
Designates Receptacle Dust Cover	DASH NUMBER	FINISH
	8 10 12 14 16 18 20 22 24 28 32 36 40 44 48	D: Cadmium Olive Drab over Electroless Nickel DA: Black Anodize Per AMS-8625, Type II, Class II

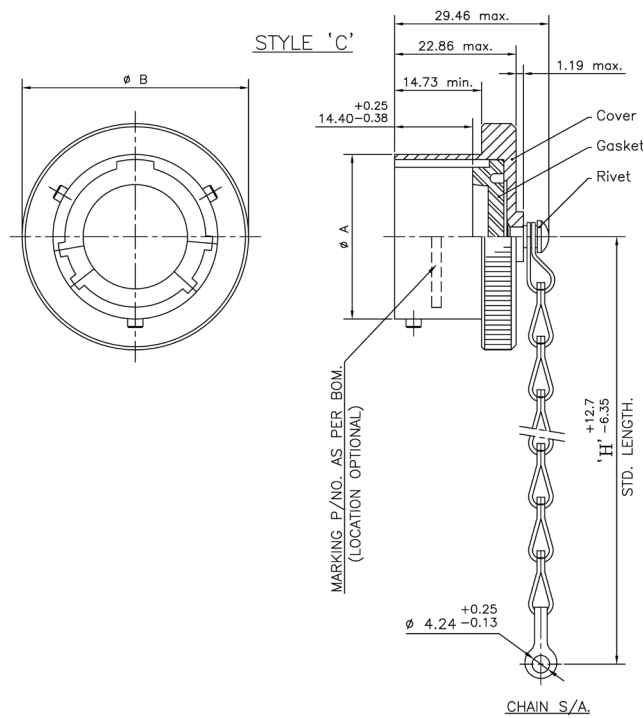


Shell Size	A Thread-2B	B Max.		C Max.		L Max. Length		E Attachment Length ± 1mm		L Max.	
		mm	inch	mm	inch	mm	inch	mm	inch	mm	inch
8	0.500-28 UNEF	11.9	0.46	17.5	0.68	3.4	0.13	101.6	4	19.1	0.75
10	0.625-24 UNEF			20.7	0.81						
12	0.750-20 UNEF			25.4	1						
14	0.875-20 UNEF			28.6	1.12						
16	1.000-20 UNEF			30.2	1.18						
18	1.125-18 UNEF			34.1	1.34						
20	1.250-18 UNEF			37.3	1.46						
22	1.375-18 UNEF			40.5	1.59						
24	1.500-18 UNEF	13.5	.53	43.7	1.72	4.2	0.16	127.0	5	20.6	0.81
28	1.750-18 UNEF			50.0	1.96	4.6	0.18				
32	2.000-18 UNEF			56.4	2.22						
36	2.250-16 UN			62.7	2.46						
40	2.500-16 UN			69.0	2.71						
44	2.750-16 UN			75.4	2.96						
48	3.000-16 UN	81.0	3.18	196.9	7.75						

PLUG DUST CAPS JANMS27501

MIL-DTL-38999, Series I

JANMS27501	B	11	C	L
Designates Plug Dust Cover	FINISH	SHELL SIZE	STYLE	LENGTH
	B: Cadmium Olive Drab C: Hard Anodize Black F: Electroless Nickel Z: Black Zinc Nickel	9 11 13 15 17 19 21 23 25	C: W/ Chain A: W/O Chain	L: 5 in. Chain M: 6 in. Chain N: 7 in. Chain (Omit for standard length "H")

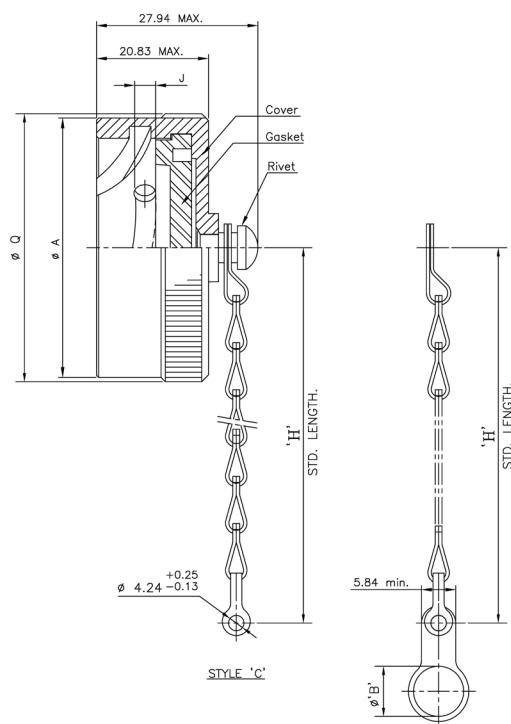


Shell Size	A ϕ		B ϕ Max.		H Std. Length +12.70 / -6.35	
	mm	inch	mm	inch	mm	inch
9	14.53	0.57	20.83	0.82	76.20	3
11	17.78	0.7	23.88	0.94		
13	21.59	0.85	27.18	1.07	88.90	3.5
15	24.77	0.97	30.23	1.19		
17	27.94	1.1	33.53	1.32		
19	30.66	1.20	36.58	1.44	101.60	4
21	33.83	1.33	39.88	1.57		
23	37.01	1.45	42.93	1.69		
25	40.18	1.58	46.23	1.82		

RECEPTACLE DUST CAPS JANMS27502

MIL-DTL-38999. Series I

JANMS27502	B	11	C	L
Designates Receptacle Dust Cover	FINISH	SHELL SIZE	STYLE	LENGTH
	B: Cadmium Olive Drab C: Hard Anodize Black F: Electroless Nickel Z: Black Zinc Nickel	9 11 13 15 17 19 21 23 25	A: W/O Chain C: W/ Chain N: W/ Chain & Ring	L: 5 in. Chain /Rope in lieu of standard length (Omit for st. length "H")

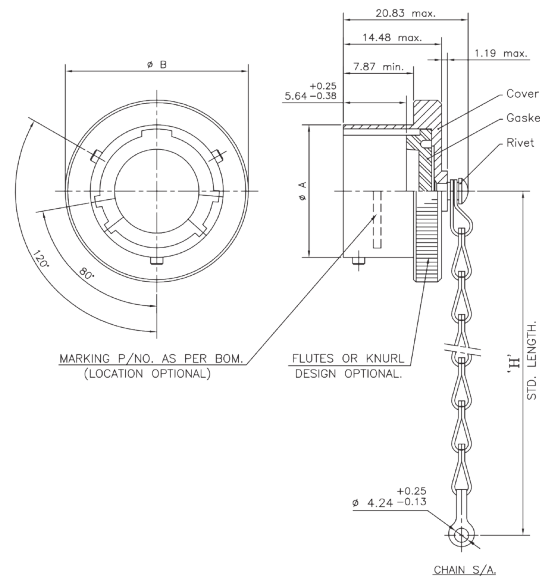


Shell Size	A Ø Max.		B Ø Min.		H Std. Length +12.70 / -6.35		J +0.38		Q Dia. Max.	
	mm	inch	mm	inch	mm	inch	mm	inch	mm	inch
9	20.83	0.82	17.78	0.7	76.20	3	2.67	0.105	21.84	0.85
11	23.88	0.94	21.34	0.84					24.89	0.97
13	27.94	1.1	25.65	1.00	88.90	3.5			29.46	1.15
15	30.99	1.22	28.96	1.14					32.51	1.27
17	34.05	1.34	32.00	1.25					35.81	1.40
19	37.08	1.45	35.31	1.39	101.60	4			38.61	1.52
21	40.13	1.57	38.35	1.50			41.91	1.65		
23	43.18	1.7	41.66	1.64			44.96	1.77		
25	46.48	1.82	44.70	1.75			3.51	0.13	48.01	1.8

PLUG DUST CAPS JANMS27510

MIL-DTL-38999, Series II

JANMS27510	C	8	A	L
Designates Plug Dust Cover	FINISH	SHELL SIZE	STYLE	LENGTH
	B: Cadmium Olive Drab	8	C: W/ Chain A: W/O Chain	L: 5 in. Chain /Rope in lieu of standard length M: 6 in. Chain N: 7 in. Chain (Omit for standard length "H")
	C: Hard Anodize Black	10		
	F: Electroless Nickel	12		
	Z: Black Zinc Nickel	14		
		16		
		18		
	20			
	22			
	24			

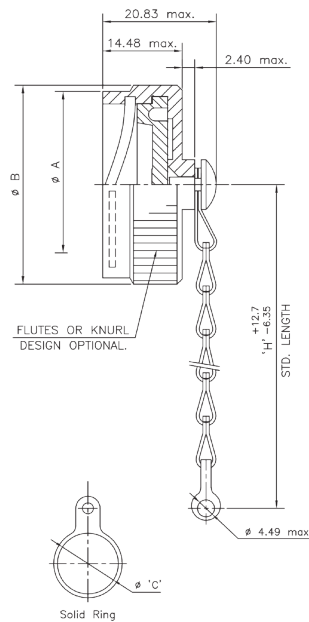


Shell Size	A Ø +0.02 / -0.13		B Ø Max. Overall		H Std. Length +12.70 / -6.35	
	mm	inch	mm	inch	mm	inch
8	12.01	0.47	18.29	0.72	76.20	3
10	14.99	0.59	21.59	0.85		
12	19.05	0.75	25.40	1	88.90	3.5
14	22.22	0.87	28.70	1.12		
16	25.40	1	31.75	1.25		
18	28.58	1.12	35.05	1.37		
20	31.75	1.25	38.10	1.5	101.60	4
22	34.92	1.37	41.40	1.62		
24	38.10	1.5	44.45	1.75		

RECEPTACLE DUST CAPS JANMS27511

MIL-DTL-38999, Series II

JANMS27511	B	10	A	L
Designates Receptacle Dust Cover	FINISH	SHELL SIZE	STYLE	LENGTH
	B: Cadmium Olive Drab C: Hard Anodize Black F: Electroless Nickel Z: Black Zinc Nickel	8 10 12 14 16 18 20 22 24	A: W/O Chain C: W/ Chain N: W/ Chain & Ring R: S.S Rope (3.28 max. 08 to 22 size) (3.68 max. 24 size)	L: 5 in. Chain /Rope in lieu of standard length (Omit for st. length "H")

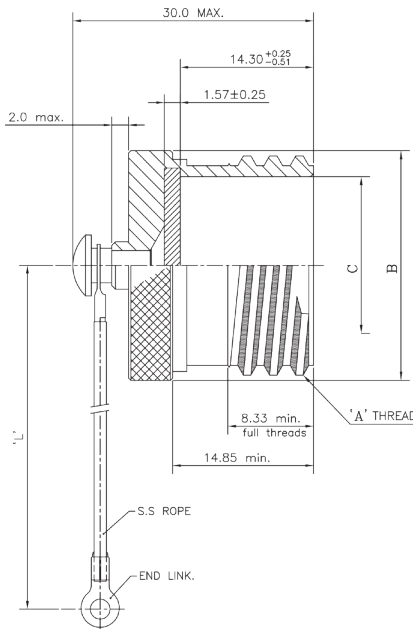


Shell Size	A Ø Max.		B Ø Max.		C Ø Min.		H Std. Length +12.70 / -6.35	
	mm	inch	mm	inch	mm	inch	inch	mm
8	16.00	0.62	19.05	0.75	22.61	0.89	76.20	3
10	19.33	0.76	21.82	0.85	25.65	1.00		
12	23.77	0.93	26.19	1.03	28.96	1.14	88.90	3.5
14	27.28	1.07	29.36	1.15	32.0	1.25		
16	29.77	1.17	32.54	1.28	35.31	1.39		
18	33.12	1.30	35.71	1.40	38.35	1.50	101.60	4
20	36.45	1.43	38.89	1.53	41.66	1.64		
22	39.62	1.55	41.68	1.64	44.70	1.75		
24	42.88	1.68	44.86	1.76	48.0	1.88		

PLUG CAPS JAND38999/32

MIL-DTL-38999, Series III

JAND38999/32	W	15	R
Designates Plug Dust Cover	FINISH	SHELL SIZE	STYLE
	W: Aluminum Alloy 500 Hrs. Cadmium Olive Drab Z: Aluminum Alloy 500 Hrs. Black Zinc Nickel F: Aluminum Alloy 48 Hrs. Electroless Nickel	9 11 13 15 17 19 21 23 25	N: W/ SS Rope & Ring R: W/ SS Rope

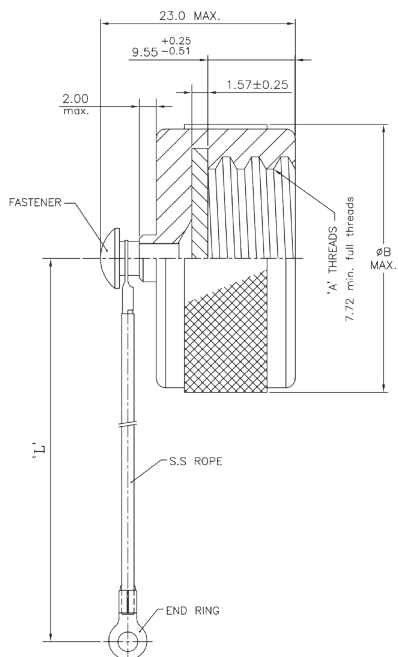


Shell Size	A Ø +0.02 / -0.13		B Ø Max.		C Ø Max. +0.00/-0.15"		D Ø Max.		E Ø Min.		F		L +13.00/-7.00	
	mm	inch	mm	inch	mm	inch	mm	inch	mm	inch	mm	inch	mm	inch
9	15.74	0.62	17.20	0.67	12.50	0.49	24.00	0.94	13.00	0.51	24.00	14.50	127.00	5
11	19.05	0.75	20.50	0.80	15.75	0.62	27.00	1.06	18.00	0.70	20.50	18.00		
13	22.09	0.87	24.30	0.95	19.53	0.76	30.00	1.18	20.00	0.78	27.00	20.00		
15	25.4	1.00	27.40	1.07	22.71	0.89	31.00	1.22	23.00	0.90	22.50	18.00		
17	29.97	1.18	30.60	1.20	25.88	1.018	37.00	1.45	26.00	1.02	30.50	23.50		
19	31.75	1.25	33.25	1.30	28.55	1.12	40.00	1.57	29.00	1.14	31.50	23.50		
21	34.79	1.37	36.40	1.43	31.72	1.248	44.00	1.73	32.00	1.25	33.00	26.50		
23	38.1	1.50	39.70	1.56	34.90	1.37	46.00	1.81	34.00	1.33	34.00	26.50		
25	41.14	1.62	42.80	1.68	38.07	1.49	49.00	1.92	39.00	1.53	38.00	30.00		

RECEPTACLE CAPS JAND38999/33

MIL-DTL-38999, Series III

JAND38999/33	W	15	R
Designates Receptacle Dust Cover	FINISH	SHELL SIZE	STYLE
	W: Aluminum Alloy 500 Hrs. Cadmium Olive Drab Z: Aluminum Alloy 500 Hrs. Black Zinc Nickel F: Aluminum Alloy 48 Hrs. Electroless Nickel	9 11 13 15 17 19 21 23 25	N: W/ SS Rope & Ring R: W/ SS Rope



Shell Size	A Ø +0.02 / -0.13		B Ø Max.		C Ø Max. +0.00/-0.15"		D Ø Max.		L +13.00/-7.00	
	mm	inch	mm	inch	mm	inch	mm	inch	mm	inch
9	15.74	0.62	23.0	0.90	27.0	1.06	17.64	0.69	127.00	5
11	19.05	0.75	28.0	1.10	32.0	1.25	21.97	0.86		
13	22.09	0.87	31.0	1.22	37.0	1.45	25.12	0.98		
15	25.4	1.00	32.0	1.25	40.0	1.57	29.92	1.17		
17	29.97	1.18	37.0	1.45	44.0	1.73	32.0	1.25		
19	31.75	1.25	39.0	1.53	46.0	1.81	36.27	1.42		
21	34.79	1.37	42.0	1.65	49.0	1.92	38.25	1.50		
23	38.1	1.50	45.0	1.77	54.0	2.12	42.62	1.67		
25	41.14	1.62	49.0	1.92	56.0	2.20	44.45	1.75		

Amphenol Pcd
www.amphenolpcd.com