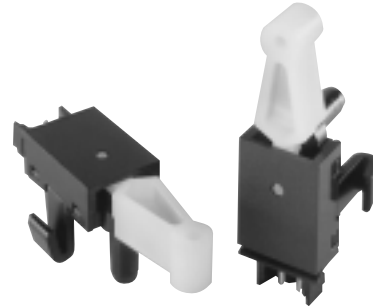


Basic Switch

D2X

Crimp Connector Switch

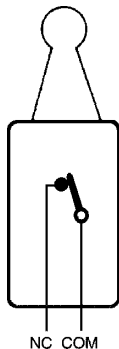
- Reduced wiring time with AMP crimp-type connectors
- Snap-fit attachment for easy installation
- Actuator operates from either side, allowing mounting in either direction
- High contact force and wiping action for greater contact reliability
- Rated load 0.1 A at 30 VDC



Ordering Information

Actuator	Terminal	Contact OF	Part Number
			Standard Model
Center mounted rotary lever	Crimp-type connector	50 g	D2X

■ CONTACT FORM



Characteristics

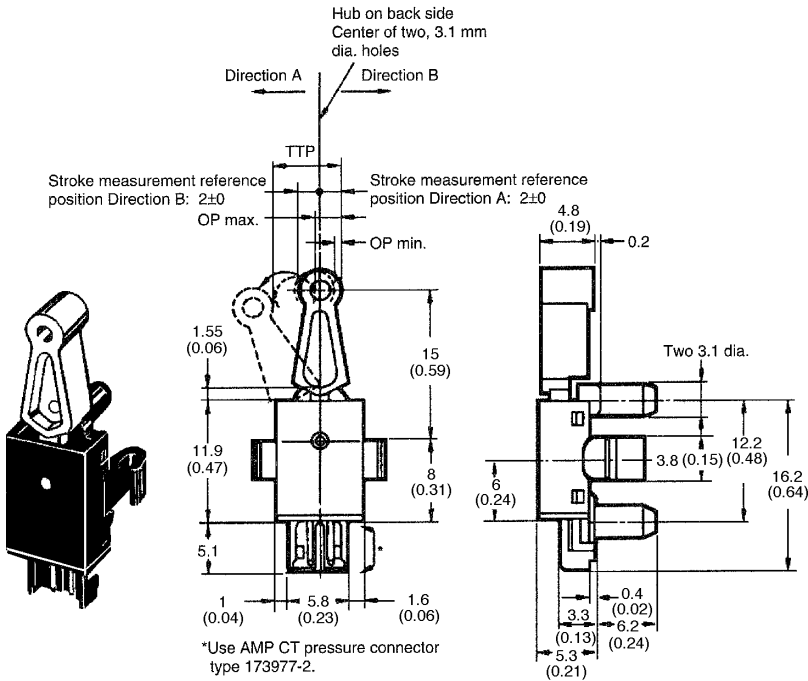
Electrical ratings		0.1 A, 30 VDC (resistive load)
Operating speed		0.1 mm to 100 mm/second (0.004 to 3.94 in/second)
Operating frequency	Mechanical	60 operations per minute (OT: full stroke)
	Electrical	30 operations per minute (0.1 A at 30 VDC)
Contact resistance		200 mΩ
Insulation resistance		100 MΩ min. at 250 VDC
Dielectric strength		250 VAC, 50/60 Hz for 1 minute between contacts of same polarity 250 VAC, 50/60 Hz for 1 minute between each terminal and ground
Vibration	Malfunction durability	10 to 55 Hz, 1.5 mm double amplitude
Shock	Malfunction durability	300 m/s ² minimum (approx. 30 g minimum)
Ambient temperature	Operating	-10° to 70°C
Humidity	Operating	45% to 85% RH max. with no icing
Service life	Mechanical	1 million operations minimum (OT: full stroke)
	Electrical	50,000 operations minimum (rated load)
Weight		Approx. 1 g

Note: Data shown are of initial value.

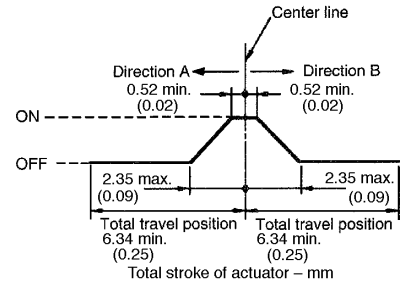
Dimensions

Unit: mm (inch)

D2X

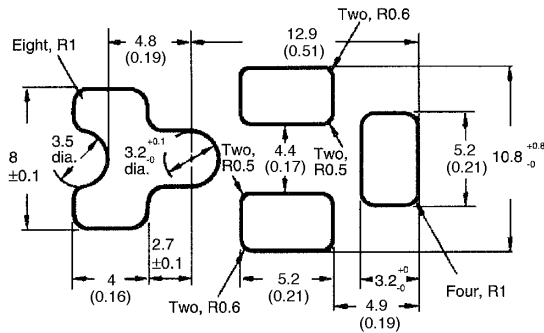


Operating characteristics	D2X
OF	50 g
RF min.	2 g
OP	2° to 9° max. or 0.52 to 2.35 mm (0.020 to 0.93 in)
TTP max.	25° or 6.34 mm (0.250 in)

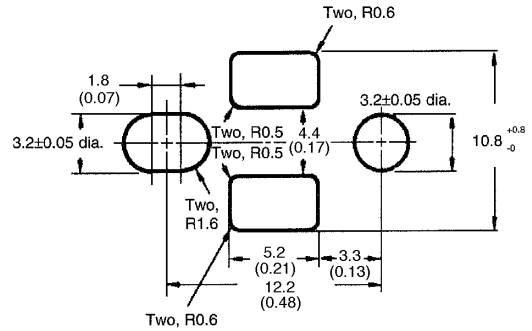


Mounting holes

With 1.6 mm panel thickness



With 1.2 mm panel thickness



- Note: 1. Unless otherwise specified, a tolerance of ± 0.2 mm applies to all dimensions.
2. The tolerance of the center of each hole is ± 0.07 mm.

Precautions

For proper operation, follow these guidelines:

Set the dog or cam stroke so the actuator does not receive excessive force when the switch is actuated. When the actuator is released, the dog or cam must be off the actuator head.

Set the dog or cam so that it will press the head of the lever in the traveling direction of the lever.

Do not allow the lever to be pressed beyond the TTP.



OMRON ELECTRONICS, INC.

One East Commerce Drive
Schaumburg, IL 60173

1-800-55-OMRON

OMRON CANADA, INC.

885 Milner Avenue
Scarborough, Ontario M1B 5V8

416-286-6465