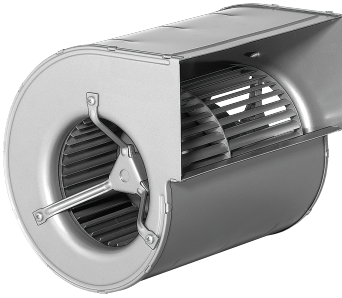


D1G146-AA33-52

## EC centrifugal fan

forward curved, dual inlet  
with housing (without flange)



**ebm-papst Mulfingen GmbH & Co. KG**

Bachmühle 2

D-74673 Mulfingen

Phone +49 7938 81-0

Fax +49 7938 81-110

info1@de.ebmpapst.com

www.ebmpapst.com

### Nominal data

Type	D1G146-AA33-52	
Motor	M1G074-CF	
Nominal voltage	VDC	48
Nominal voltage range	VDC	36 .. 57
Frequency	Hz	-
Type of data definition		rfa
Speed	min <sup>-1</sup>	1350
Power input	W	105
Current draw	A	2.6
Max. ambient temperature	°C	60

ml = max. load · me = max. efficiency · rfa = running at free air · cs = customer specs · cu = customer unit  
Subject to alterations

# EC centrifugal fan

forward curved, dual inlet  
with housing (without flange)

## Technical features

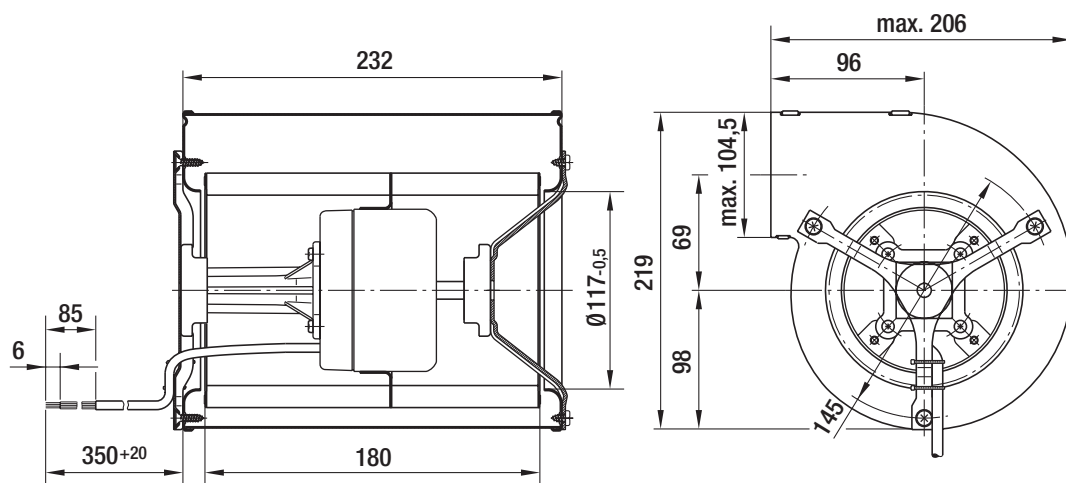
<b>General description</b>	Integrated electronics
<b>Size</b>	146 mm
<b>Operation mode</b>	Continuous operation (S1)
<b>Direction of rotation</b>	Clockwise, seen on rotor
<b>Mounting position</b>	Any
<b>Humidity class</b>	F0
<b>Insulation class</b>	"B"
<b>Cable exit</b>	Variable
<b>Motor bearing</b>	Ball bearing
<b>Mass</b>	3.5 kg
<b>Material of electronics housing</b>	Rotor: Coated in black
<b>Material of impeller</b>	Sendzimir galvanized sheet steel
<b>Motor protection</b>	Reverse polarity and locked-rotor protection
<b>Type of protection</b>	IP 42
<b>Protection class</b>	I
<b>Technical features</b>	Control input 0-10 VDC / PWM, tach output, reverse polarity and locked rotor protection
<b>Approval</b>	CSA C22.2 Nr.77; UL 1004-1

D1G146-AA33-52

# EC centrifugal fan

forward curved, dual inlet  
with housing (without flange)

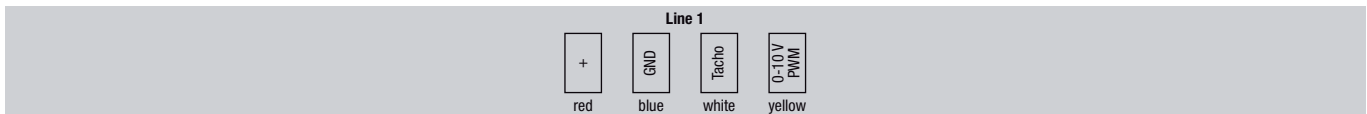
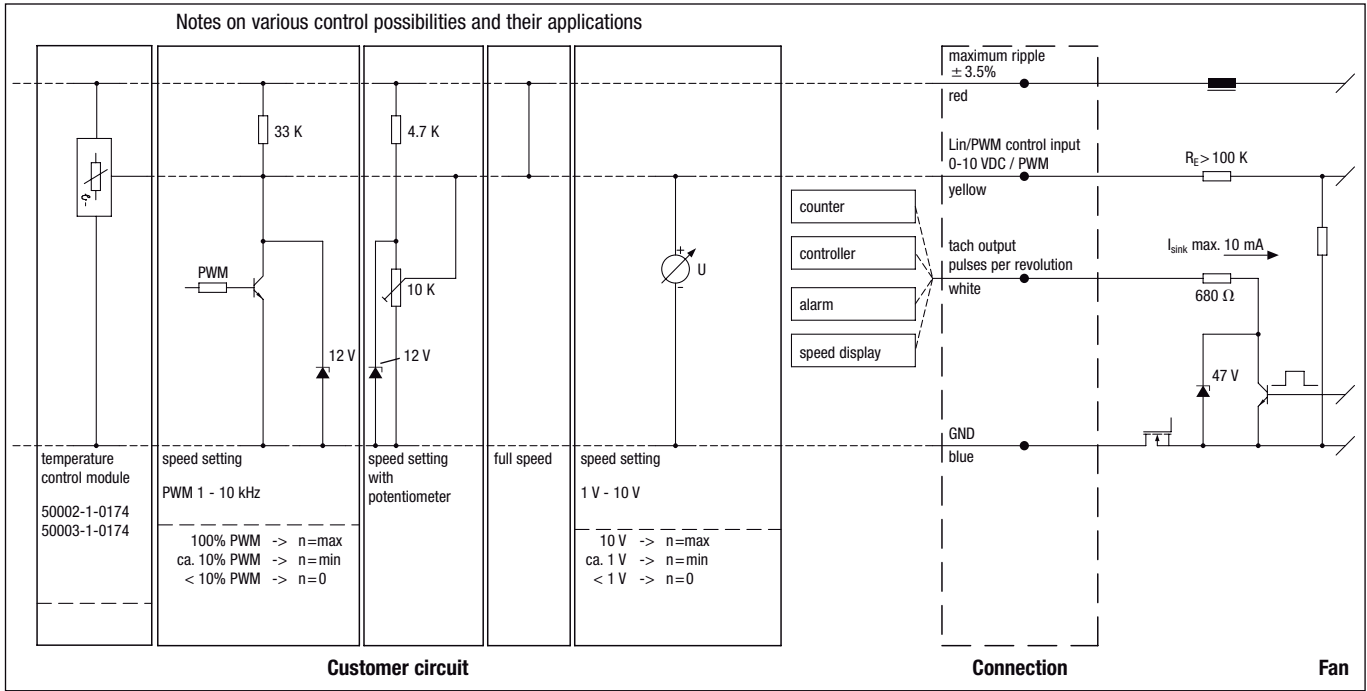
## Product drawing



# EC centrifugal fan

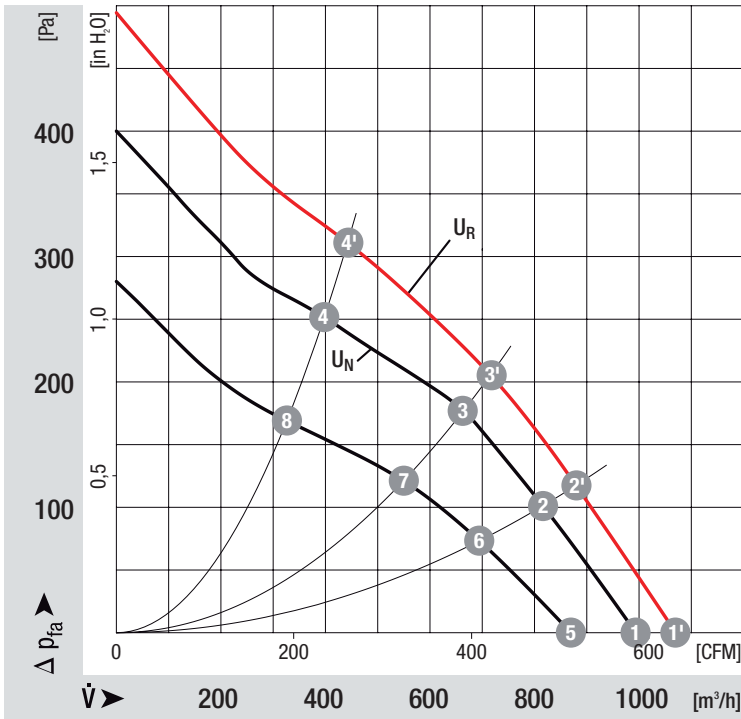
forward curved, dual inlet  
with housing (without flange)

## Connection screen



Line	Signal	Colour	Assignment / function	Line	Signal	Colour	Assignment / function
1	+	red	maximum ripple $\pm 3.5\%$	1	Tacho	white	Tach output: pulses per revolution
	GND	blue	GND		0-10 V / PWM	yellow	Control input

## Charts: Air flow



## Measured values

	n	P <sub>e</sub>
	min <sup>-1</sup>	W
1		
2'	1680	119
3'	1890	111
4'	2240	95
1	1350	105
2	1570	95
3	1750	88
4	2010	70
5	1210	70
6	1360	60
7	1460	53
8	1670	42