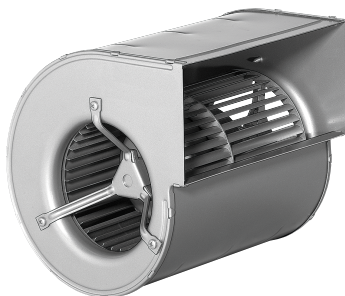


D1G133-AB29-52

EC centrifugal fan

forward curved, dual inlet
with housing (without flange)



ebm-papst Mulfingen GmbH & Co. KG

Bachmühle 2 · D-74673 Mulfingen

Phone +49 7938 81-0

Fax +49 7938 81-110

info1@de.ebmpapst.com

www.ebmpapst.com

Nominal data

Type	D1G133-AB29-52	
Motor	M1G074-BF	
Nominal voltage	VDC	24
Type of data definition		rfa
Speed	min ⁻¹	1780
Power input	W	105
Current draw	A	5.6
Min. ambient temperature	°C	- 25
Max. ambient temperature	°C	+60

ml = max. load · me = max. efficiency · rfa = running at free air · cs = customer specs · cu = customer unit
Subject to alterations



EC centrifugal fan

forward curved, dual inlet
with housing (without flange)

Technical features

General description	Integrated electronics
Size	133 mm
Operation mode	Continuous operation (S1)
Direction of rotation	Clockwise, seen on rotor
Mounting position	Any
Humidity class	F0
Insulation class	"B"
Cable exit	Variable
Motor bearing	Ball bearing
Mass	3.3 kg
Material of electronics housing	Rotor: Coated in black
Material of impeller	Senzimir galvanized sheet steel
Motor protection	Reverse polarity and locked-rotor protection
Type of protection	IP 42
Protection class	I
Technical features	Control input 0-10 VDC / PWM, tach output, reverse polarity and locked rotor protection
Approval	CSA C22.2 Nr.77; UL 1004-1

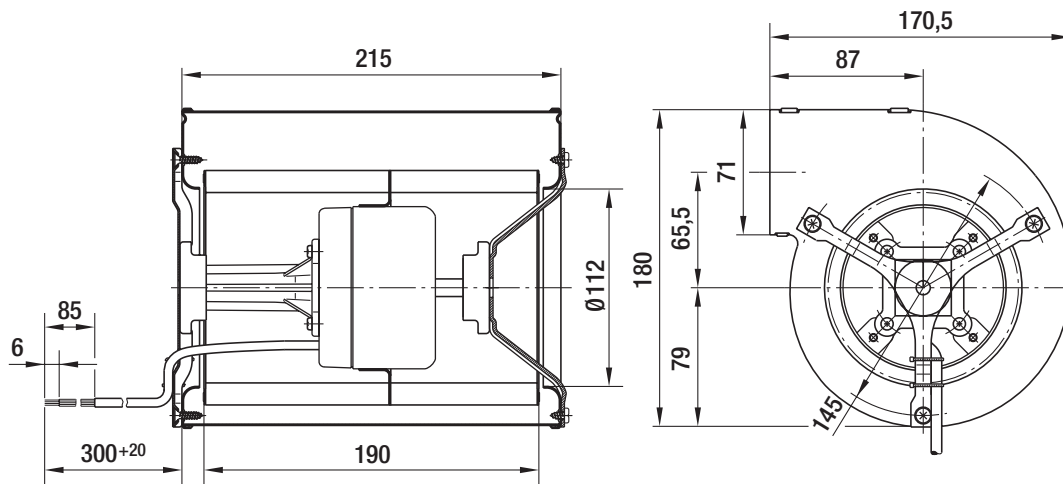


D1G133-AB29-52

EC centrifugal fan

forward curved, dual inlet
with housing (without flange)

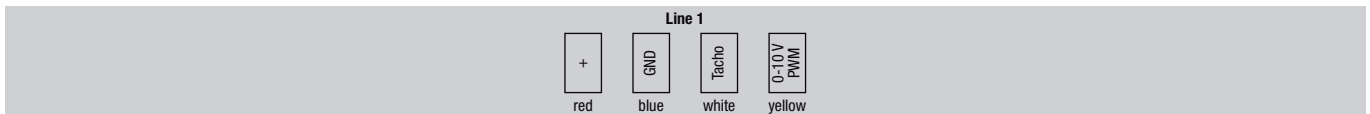
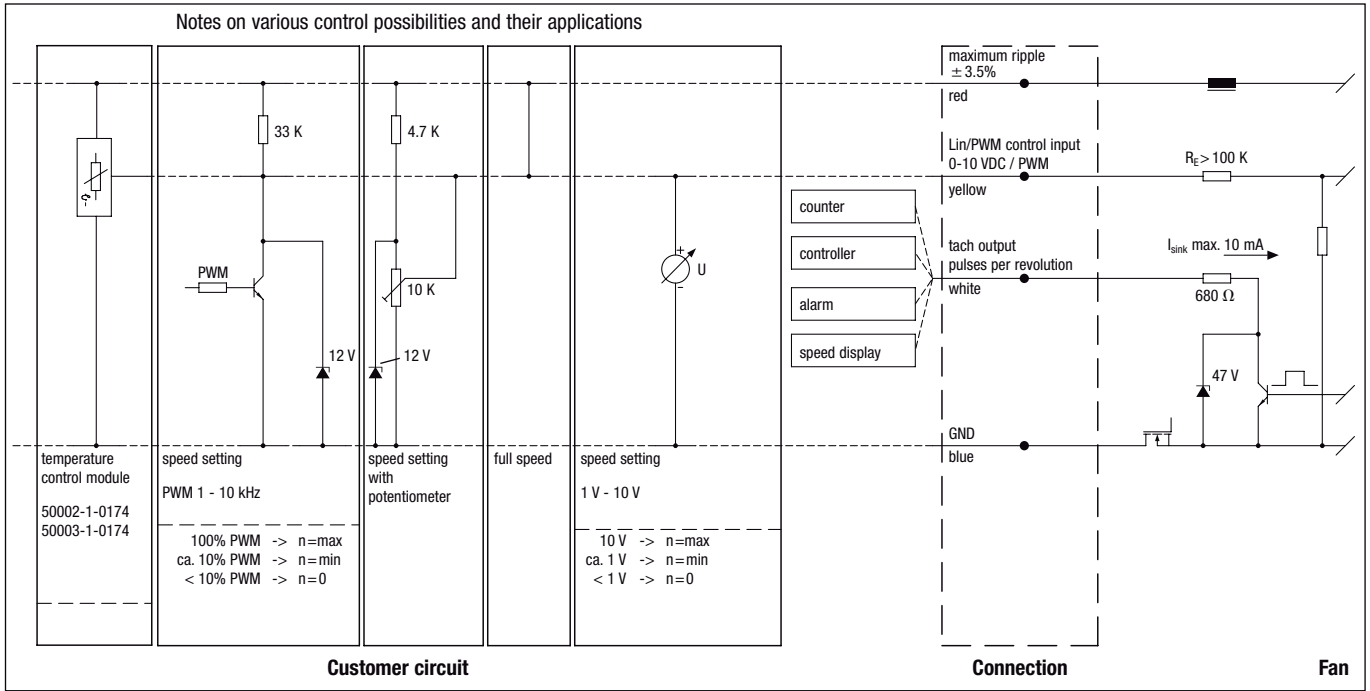
Product drawing



EC centrifugal fan

forward curved, dual inlet
with housing (without flange)

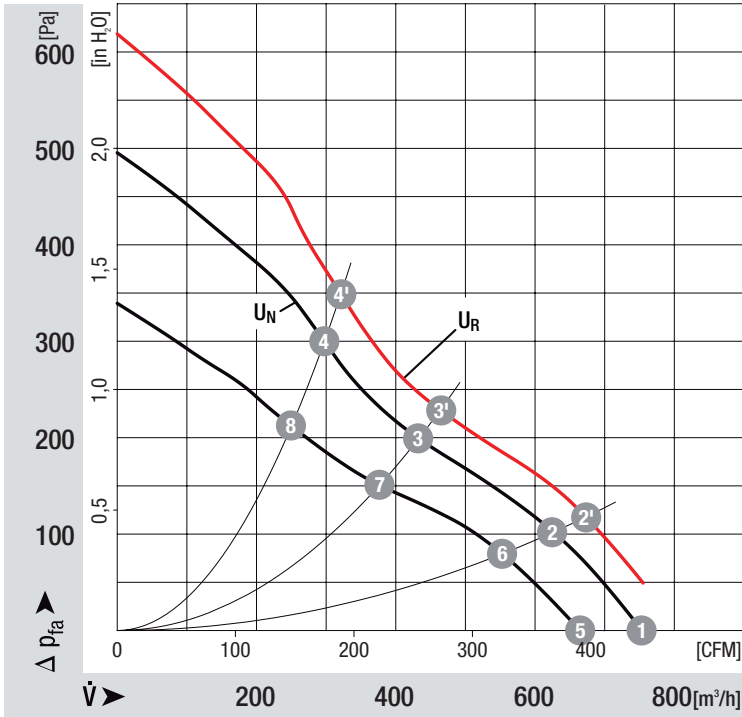
Connection screen



Line	Signal	Colour	Assignment / function	Line	Signal	Colour	Assignment / function
1	+	red	maximum ripple $\pm 3.5\%$	1	Tacho	white	Tach output: pulses per revolution
	GND	blue	GND		0-10 V / PWM	yellow	Control input



Charts: Air flow



Measured values

	n	P _e
	min ⁻¹	W
1'		
2'	2050	121
3'	2490	106
4'	2820	100
1	1780	105
2	1900	97
3	2310	86
4	2630	80
5	1500	73
6	1720	67
7	2020	58
8	2230	49