

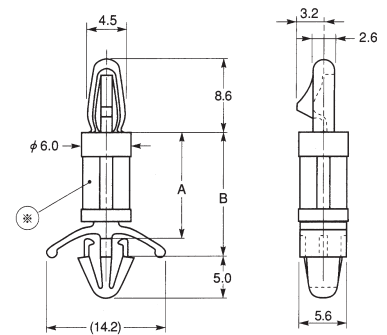
PART NUMBER	Dimensions					
	A	B	Mounting Holes $\phi$		Applicable Thickness	
			PCB	Chassis	PCB	Chassis
1645287	4.9	7.1	4	4.8	0.8~1.6	0.5~2.0
1645288	6.2	8.4	4	4.8	0.8~1.6	0.5~2.0
1645289	9.4	11.6	4	4.8	0.8~1.6	0.5~2.0
1645290	11.0	13.2	4	4.8	0.8~1.6	0.5~2.0
1645291	12.5	14.7	4	4.8	0.8~1.6	0.5~2.0
1645292	15.7	17.9	4	4.8	0.8~1.6	0.5~2.0
1645293	18.9	21.1	4	4.8	0.8~1.6	0.5~2.0
1645294	22.0	24.2	4	4.8	0.8~1.6	0.5~2.0
1645295	25.1	27.3	4	4.8	0.8~1.6	0.5~2.0
1645296	28.3	30.5	4	4.8	0.8~1.6	0.5~2.0
1645297	31.5	33.7	4	4.8	0.8~1.6	0.5~2.0
1645299	34.6	36.8	4	4.8	0.8~1.6	0.5~2.0



Material: Nylon 66  
 Flammability: UL94V-2  
 Colour: Natural

- Firmly and accurately maintains a constant distance between the chassis and PC board
- Quick and easy to install
- Easy to remove from the PC board

RoHS Directive 2002/95/EC compliant



\* The mid-section design of 1645287 is different

## Material Properties

Values measured at 23°C @ 50% RH

Mechanical/Physical Properties	Units	Value
Density	g/cm <sup>3</sup>	1.14
Water Absorption	%	2.8
Tensile Strength at Break	MPa	50
Elongation at Yield	%	30
Tensile Modulus	GPa	1.50

Electrical Properties	Units	Value
Electrical Resistivity	ohm-m	3.00e+13
Surface Resistivity	ohm	3.00e+14
Electrical Strength	MV/m	26

Thermal Properties	Units	Value
Melting Point	°C	263
Short Term Minimum Working Temperature	°C	-40
Short Term Maximum Working Temperature	°C	100
Flammability	UL94	V2

Above information is for guidance only and should not be used to establish specifications or as the basis of a design

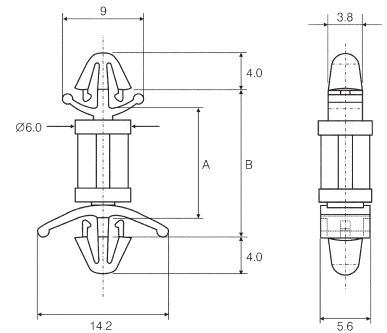
PART NUMBER	Dimensions					
	A	B	Mounting Holes $\phi$		Applicable Thickness	
			PCB	Chassis	PCB	Chassis
1645300	4.6	8.9	4.0	4.0	1.6	0.5~2.0
1645302	5.9	10.2	4.0	4.0	1.6	0.5~2.0
1645303	9.1	13.4	4.0	4.0	1.6	0.5~2.0
1645305	10.7	15.0	4.0	4.0	1.6	0.5~2.0
1645306	12.2	16.5	4.0	4.0	1.6	0.5~2.0
1645307	15.4	19.7	4.0	4.0	1.6	0.5~2.0
1645308	18.6	22.9	4.0	4.0	1.6	0.5~2.0
1645309	21.7	26.0	4.0	4.0	1.6	0.5~2.0



Material: Nylon 66  
 Flammability: UL94V-2  
 Colour: Natural

- Fixes the chassis and PC board at a constant distance between each other
- Uses  $\phi 4$  mounting holes on both the chassis and PC board

RoHS Directive 2002/95/EC compliant



## Material Properties

Values measured at 23 °C @ 50% RH

Mechanical/Physical Properties	Units	Value
Density	g/cm <sup>3</sup>	1.14
Water Absorption	%	2.8
Tensile Strength at Break	MPa	50
Elongation at Yield	%	30
Tensile Modulus	GPa	1.50

Electrical Properties	Units	Value
Electrical Resistivity	ohm-m	3.00e+13
Surface Resistivity	ohm	3.00e+14
Electrical Strength	MV/m	26

Thermal Properties	Units	Value
Melting Point	°C	263
Short Term Minimum Working Temperature	°C	-40
Short Term Maximum Working Temperature	°C	100
Flammability	UL94	V2

Above information is for guidance only and should not be used to establish specifications or as the basis of a design

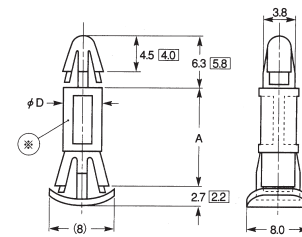
PART NUMBER	Dimensions					
	A	øD	Mounting Holes ø		Applicable Thickness	
			PCB	Chassis	PCB	Chassis
1645310	5.0	5.0	4.0	5.5	1.6	0.5~1.0
1645311	6.0	5.0	4.0	5.5	1.6	0.5~1.0
1645312	8.0	5.0	4.0	5.5	1.6	0.5~1.0
1645313	10.0	5.0	4.0	5.5	1.6	0.5~1.0
1645314	12.0	5.0	4.0	5.5	1.6	0.5~1.0
1645315	14.0	5.0	4.0	5.5	1.6	0.5~1.0
1645317	16.0	5.0	4.0	5.5	1.6	0.5~1.0
1645318	18.0	5.0	4.0	5.5	1.6	0.5~1.0
1645319	6.2	4.6	3.2	4.8	1.6	0.5~1.0
1645320	12.8	4.6	3.2	4.8	1.6	0.5~1.0



Material: Nylon 66  
 Flammability: UL94V-2  
 Colour: Natural

- Inserts into the underside of the chassis
- Protrusion below the chassis is less than 1.7, making this series ideal when space is limited

RoHS Directive 2002/95/EC compliant



□ Figures in boxes are the dimensions for 1645319 and 1645320

⊛ The mid-section designs of 1645310 and 1645311 are different

## Material Properties

Values measured at 23 °C @ 50% RH

Mechanical/Physical Properties	Units	Value
Density	g/cm <sup>3</sup>	1.14
Water Absorption	%	2.8
Tensile Strength at Break	MPa	50
Elongation at Yield	%	30
Tensile Modulus	GPa	1.50

Electrical Properties	Units	Value
Electrical Resistivity	ohm-m	3.00e+13
Surface Resistivity	ohm	3.00e+14
Electrical Strength	MV/m	26

Thermal Properties	Units	Value
Melting Point	°C	263
Short Term Minimum Working Temperature	°C	-40
Short Term Maximum Working Temperature	°C	100
Flammability	UL94	V2

Above information is for guidance only and should not be used to establish specifications or as the basis of a design

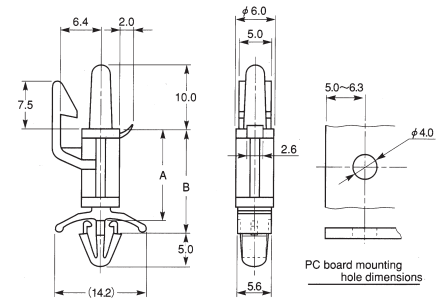
PART NUMBER	Dimensions					
	A	B	Mounting Holes $\phi$		Applicable Thickness	
			PCB	Chassis	PCB	Chassis
1645321	7.9	10.3	4.0	4.8	1.6	0.5~2.0
1645322	9.5	11.9	4.0	4.8	1.6	0.5~2.0
1645323	12.6	15.0	4.0	4.8	1.6	0.5~2.0
1645324	15.8	18.2	4.0	4.8	1.6	0.5~2.0



Material: Nylon 66  
 Flammability: UL94V-2  
 Colour: Natural

- Easily installed and removed, making inspection and maintenance of PC boards easier
- A hinging action can be achieved when used together with the SRF series of spacers
- Designed to accompany SRF series when creating a lifting hinge action with the PCB

RoHS Directive 2002/95/EC compliant



## Material Properties

Values measured at 23°C @ 50% RH

Mechanical/Physical Properties	Units	Value
Density	g/cm <sup>3</sup>	1.14
Water Absorption	%	2.8
Tensile Strength at Break	MPa	50
Elongation at Yield	%	30
Tensile Modulus	GPa	1.50

Electrical Properties	Units	Value
Electrical Resistivity	ohm-m	3.00e+13
Surface Resistivity	ohm	3.00e+14
Electrical Strength	MV/m	26

Thermal Properties	Units	Value
Melting Point	°C	263
Short Term Minimum Working Temperature	°C	-40
Short Term Maximum Working Temperature	°C	100
Flammability	UL94	V2

Above information is for guidance only and should not be used to establish specifications or as the basis of a design