

Accessories & Sockets

Plug-in Module Kit

The widespread popularity of the industrial plug-in type of mounting used the 219 frame relays results in many requests for the plug-in enclosure only. Some requests originate from a desire to match relays on the same panel, but many stem from applications requiring no relays.

These modules are furnished as disassembled kits of parts which include all necessary hardware. Many design engineers find these plug-in assemblies ideal for conveniently and quickly modularizing their control circuitry. Combinations of relays, resistors, capacitors, transforms, rectifiers and innumerable solid state devices are often combined in these envelopes to form pre-wired, pre-tested, sub-assemblies, or complete controls on some machines.



Part Number Chart

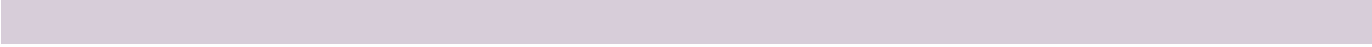
Part Numbers	Description	Mating socket
CX-3671	Kit - 12 Pin - short	27390D
CX-3672	Kit - 12 Pin - tall	27390D
CX-3736	Kit - 14 Pin - short	33377D

Accessories & Sockets

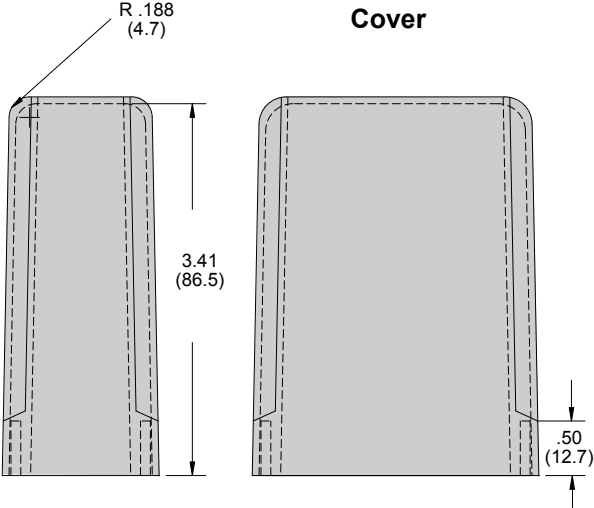
Plug-in Module Kit

Outline Dimensions

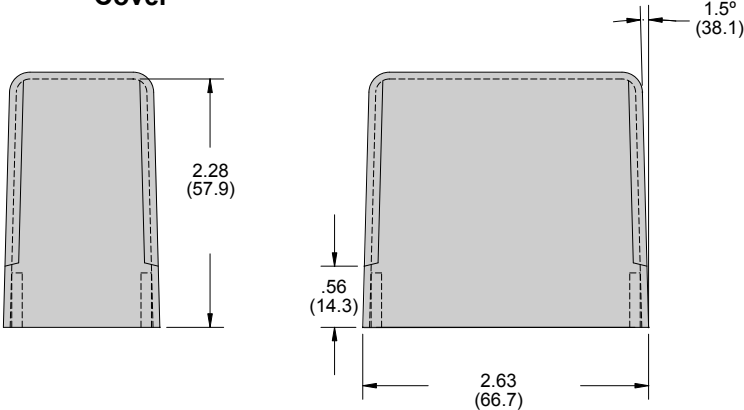
Dimensions Shown in inches & (millimeters)



12 Pin - Tall Cover



12 Pin - Short Cover



14 Pin - Short Cover

