

Locking Devices

E

Industrial Specification Grade Locking Devices	E-1, E-2, E-65
Industrial Specification Grade Hart-Lock® Locking Devices	E-3 – E-32
Commercial Specification Grade Locking Devices	E-33 – E-40
Commercial Specification Grade Hart-Lock® Locking Devices	E-41
Industrial Specification Grade Flat Cable Hart-Lock® Locking Devices	E-42
Industrial Specification Grade Insulated Hart-Lock® Locking Devices	E-43 – E-47
Industrial Specification Grade Watertight Hart-Lock® Locking Devices	E-48 – E-52
Industrial Specification Grade Midget Type Hart-Lock® Locking Devices	E-53
50A Hart-Lock® Locking Devices	E-54 – E-59
Hospital Use Mobile X-Ray™ Power-Lock® Locking Devices	E-60
Industrial Specification Grade Power-Lock® Devices	E-61 – E-64, E-66, E-68, E-69
Industrial Specification Grade 60 Amp Power-Lock® Locking Receptacles	E-67
Weather Protective Covers and Grips for 60 Amp Power-Lock® Locking Devices	E-70
Weather Protective Covers for Hart-Lock® Locking Devices	E-71
Weather Protective Boots for Hart-Lock® and Power-Lock® Locking Devices	E-72
Industrial Specification Grade Weather Protective Hart-Lock® Locking Device Switch Enclosure	E-73
Industrial Specification Grade Hart-Lock® Locking Device Switch Enclosure	E-74



Our comprehensive line of Industrial, Marine, and Commercial Grade locking devices is the broadest in the industry. It's the best made, too, providing unparalleled quality and superb performance in the most demanding environments.

Our Industrial Grade Hart-Lock® products include insulated and watertight plugs and connectors, receptacles, flanged inlets and outlets, midget plugs and California-style devices, in addition to our standard black and white devices. The more economical Commercial Grade plugs and connectors are available in most common configurations. Special Power-Lock® devices feature automatic, positive engagement, single-post designs for applications where the need for a secure connection is absolute.

Available in all NEMA configurations, and more than 20 non-NEMA configurations, our Hart-Lock® and Power-Lock® Industrial Specification Grade devices are UL listed, CSA, or cUL certified, and meet NEMA/ANSI standards and Federal Specification WC-596.



Locking Devices

Cooper Wiring Devices offers the industry's most diverse and complete line of Industrial Specification Grade, Marine Grade and Commercial Specification Grade locking receptacles, plugs, connectors, flanged inlets and outlets. Our line includes 15A, 20A, 30A, 50A and 60A ratings in 2-pole, 2-wire; 2-pole, 3-wire; 3-pole, 3-wire; 3-pole, 4-wire grounding; 4-pole, 4-wire; and 4-pole, 5-wire grounding. We also offer all design styles to meet any application, including: Hart-Lock®, AutoGrip®, PowerLock®, Safety Grip®, California standard, watertight, insulated, isolated ground, corrosion resistant, and midget.

All of our rugged devices are “contractor tough,” yet their locking action is easy to implement. A simple twist engages or disengages the mechanism.

Cooper's tough locking receptacles meet NEMA/ANSI standards, are UL listed, and many models are CSA approved. All of our locking devices meet or surpass the most stringent industry performance standards established by the National Electrical Manufacturers Association, Underwriters' Laboratories, and Federal Specifications.

Cooper's designs are easy to install, and each attractively finished product is inspected at the point of manufacture and tested for electrical and mechanical performance, as well as for safety characteristics, before packing.

Industrial Specification Grade Locking Receptacles

These locking receptacles are the top of the Cooper Wiring Devices line, featuring superior engineering and performance as well as outstanding appearance and ease of installation. Made to provide the safest, most dependable wiring device performance available, Industrial Specification Grade locking receptacles meet or surpass the most stringent industry standards.

Industrial Specification Grade Locking Plugs and Connectors

Only Cooper Wiring Devices offers tough Industrial Specification Grade plugs and connectors in two different cable clamping designs to meet your every need. All our AutoGrip® and Safety Grip® nylon devices are high performance connecting products for use in high abuse areas such as industrial plants, institutional locations and commercial job sites. They meet or exceed the latest requirements of industry performance standards and design standards such as NEMA, ANSI, UL, and Federal Specifications/GSA.

Nearly all of Cooper's locking devices are Underwriters' Laboratories (UL) Listed and most are also CSA certified or available as CSA certified. Please consult Cooper Wiring Devices Customer Service for availability.

INDUSTRIAL
COMMERCIAL

E-Intro-1
LOCKING
DEVICES

Industrial Specification Grade Hart-Lock® Locking Devices

Heavy duty, glass reinforced, high temperature, nylon body reduces breakage. Heat stabilized material suitable for 105°C/221°F continuous use. Body material meets UL 175 C.T.I. test.

One piece brass alloy contacts provide excellent plug retention and continuity in the grounding and power circuits.



Rugged heavy duty mounting strap. Double riveted to body for added strength.

Compact body design allows for adequate wire room in wallbox.

Heavy interior walls provide additional support to insure contact retention.

Back and side wired terminal design allows for fast installation. Large 10-32 power contact screws assure easy, efficient installation.

Serrated terminal plates bite wire to insure strong, reliable wiring connections.



INDUSTRIAL
COMMERCIAL

E-Intro-2
LOCKING
DEVICES



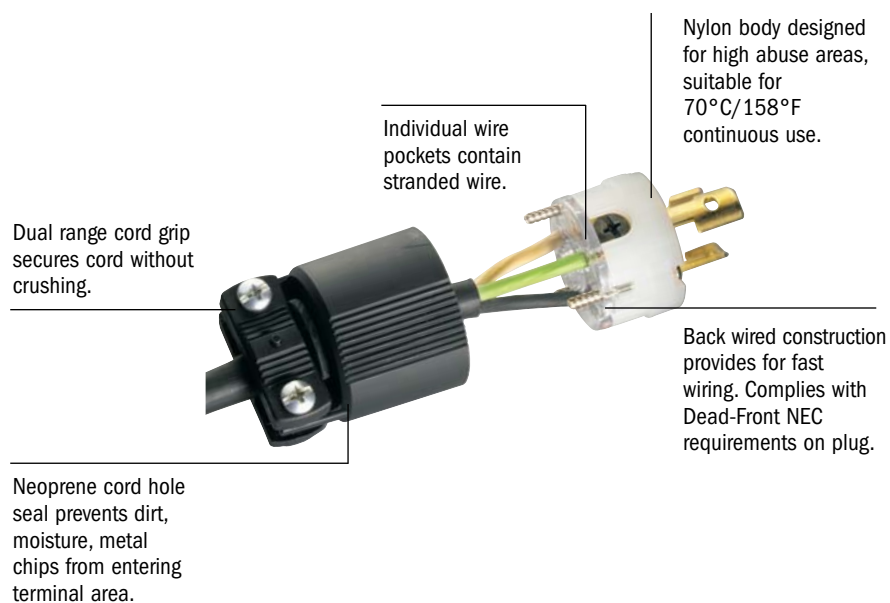
INDUSTRIAL
COMMERCIAL

E-Intro-3
LOCKING
DEVICES

Industrial Specification Grade 20 & 30A Hart-Lock® Locking Plugs and Connectors



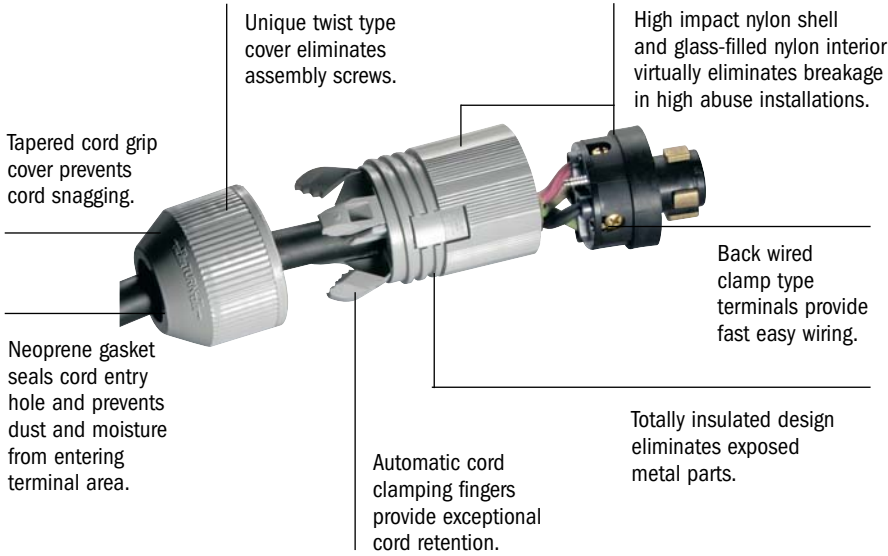
Industrial Specification Grade 15A Hart-Lock® Locking Plugs and Connectors



Power-Lock® Locking Devices

Power-Lock devices are designed for the high abuse of heavy-duty industrial, petrochemical, marine and construction applications. These units come in a complete line of plugs, connectors, receptacles, and accessories in 20, 30 and 60 ampere, 2-pole, 3-wire; 3-pole, 4-wire and 4-pole, 5-wire configurations.

Heavy-duty 30A Power-Lock®



INDUSTRIAL
COMMERCIAL

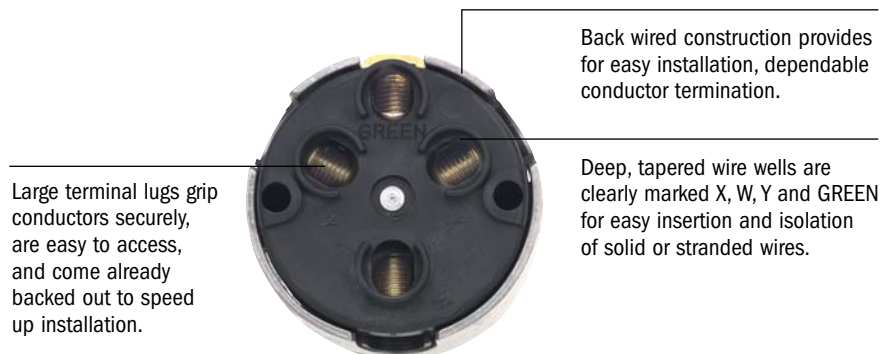
E-Intro-4
LOCKING
DEVICES



Hart-Lock® 50 Amp AutoGrip™ Plugs and Connectors

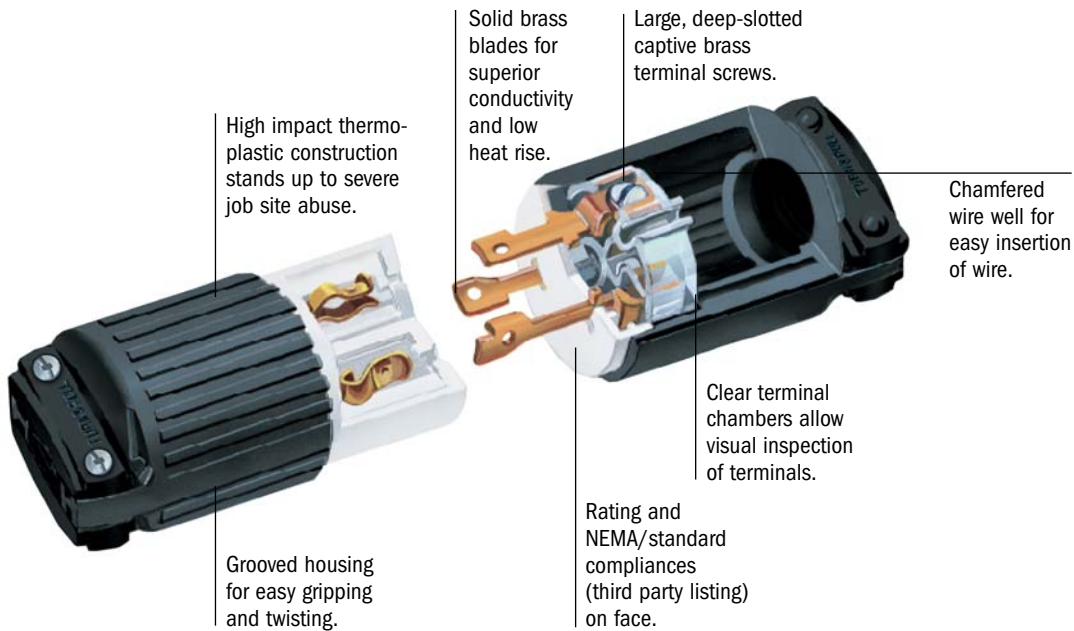
INDUSTRIAL
COMMERCIAL
RESIDENTIAL

E-Intro-5
LOCKING
DEVICES



Commercial Spec Grade Devices

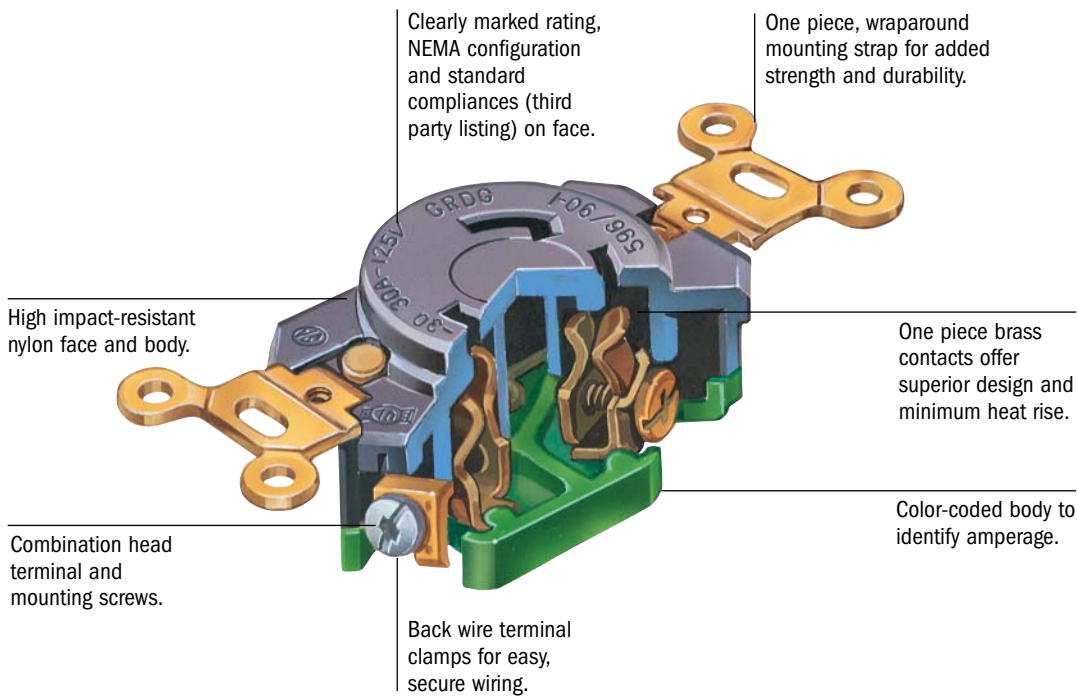
Commercial Specification Grade Locking Plugs and Connectors



INDUSTRIAL
COMMERCIAL
RESIDENTIAL

E-Intro-6
LOCKING
DEVICES

Commercial Specification Grade Locking Receptacles





Industrial Specification Grade Locking Devices

2 Pole, 2 Wire
NEMA L1-15, 15A 125V

15A 125V – 2 Pole, 2 Wire Industrial Specification Grade Locking Receptacles

FEATURES

- Rugged glass filled nylon construction.
- Industrial Grade receptacles provide side and back wire terminations.



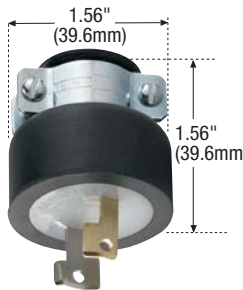
15 Amp Locking Receptacles

Rating A	V/AC	NEMA	Description	Color	Catalog No.
15	125	L1-15	Industrial Grade Single	Black	CWL115R
			Industrial Grade Duplex	Black	7540

15A 125V – 2 Pole, 2 Wire Industrial Specification Grade Plugs and Connectors

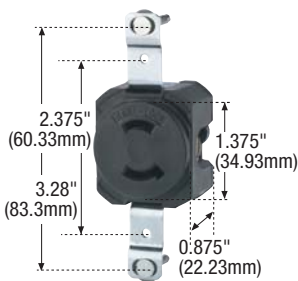
FEATURES

- Industrial grade plugs consist of chemically resistant rubber housing.
- Back wire Dead-Front design.
- External cable clamp provides firm strain relief.
- Back wire terminal clamps for easy secure wiring.



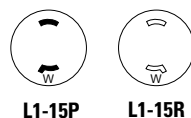
Industrial Specification Grade Plugs and Connectors

Rating A	V/AC	NEMA	Description	Cord Diameter	Color	Catalog No.	
						Plug	Connector
15	125	L1-15	Industrial Grade	0.312"-0.468" (7.9mm-11.9mm)	Black	7546	—
			Industrial Grade	0.625" (15.9mm)	Black	7548	—
			Industrial Grade,	0.296"-0.562" (7.5mm-14.3mm)	Black	—	7506



CWL115R

Note: Weather Protective Covers from Cooper Wiring Devices that may be used with these products are described on page E-71 in this section.



L1-15P

L1-15R

INDUSTRIAL
COMMERCIAL

E-1
LOCKING
DEVICES

TESTING & CODE COMPLIANCE

· Listed to UL 498, Plugs, Connectors: (file no. E3663).
Receptacles: (file no. E2369).
· CSA Certified to C22.2 no. 42 (file no. LR2087).

MATERIAL CHARACTERISTICS

Glass filled Nylon, except: 7506: glass filled Nylon and Phenolic; 7546 & 7548: Nylon and Rubber;
Environmental: Flammability per UL 94 requirements, VO rated, except 7546 & 7548.
Temperature Rating: -40°C to 105°C, except: 7546 and 7548: -40°C to 75°C.

Industrial Specification Grade Locking Devices

2 Pole, 2 Wire
NEMA L1-15, 15A 125V



15A 125V – 2 Pole, 2 Wire Industrial Specification Grade Flanged Inlets and Outlets

FEATURES

- Nickel-plated steel flange.
- Exposed terminals for easy wiring.
- CWL115FI: High temperature Phenolic interior.
- CWL115FO: Glass-filled Nylon interior.

Industrial Specification Grade Locking Flanged Inlets and Outlets

Rating		NEMA	Description	Color	Catalog No.
A	V/AC				
15	125	L1-15	Inlet	Black	CWL115FI
			Outlet	Black	CWL115FO

NOTE: Weather Protective Covers from Cooper Wiring Devices that may be used with these products are described on page E-71 in this section.



CWL115FI



CWL115FO

INDUSTRIAL
COMMERCIAL

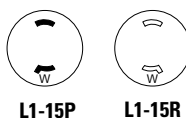
E-2
LOCKING
DEVICES

TESTING & CODE COMPLIANCE

- Listed to UL 498, Flanged Inlets: (file no. E3663) Flanged Outlets: (file no. E2369).
- CSA certified to C22.2 no. 42 (file no. LR2087).

MATERIAL CHARACTERISTICS

CWL115FO: Glass filled Nylon.
CWL115FI: Phenolic.
Environmental: Flammability per UL 94 requirements, VO rated.
Temperature Rating: CWL115FO: -40°C to 105°C; CWL115FI: -40°C to 150°C.





Industrial Specification Grade Hart-Lock® Locking Devices

2 Pole, 2 Wire Non-Grounding
NEMA L2-20, 20A 250V

INDUSTRIAL
COMMERCIAL
RESIDENTIAL

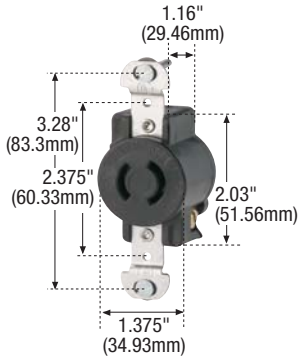
E-3 LOCKING DEVICES

TESTING & CODE COMPLIANCE

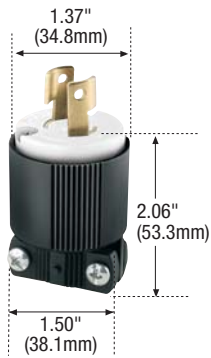
Listed to UL 498,
Plugs, Connectors:
(file no. E3663).
Receptacles &
Flanged Outlets:
(file no. E2369).

MATERIAL CHARACTERISTICS

Receptacles
& Outlets:
Glass filled Nylon.
Plugs & Connectors:
Nylon.
Environmental:
Flammability
per UL 94
requirements,
CWL220R &
CWL220FO V0 rated.
Temperature Rating:
Receptacles
& Outlets:
-40°C to 105°C,
Plugs & Connectors:
-40°C to 75°C.



CWL220R



CWL220P



CWL220C



CWL220FO

20A 250V – 2 Pole, 2 Wire Industrial Specification Grade Locking Receptacles

FEATURES

- Rugged glass filled nylon construction.
- Industrial Grade receptacles provide side and back wire terminations

20 Amp Locking Receptacle

Rating						
A	V/AC	NEMA	Description	Color	Catalog No.	
20	250	L2-20	Industrial Grade Single	Black	CWL220R	

20A 250V Safety Grip® Industrial Specification Grade Plugs, Connectors and Flanged Outlets

FEATURES

- Nylon construction.
- Back wire Dead-Front design.
- Neoprene gasket seals cord hole from dust and debris.
- Dual range cord grip provides solid cord clamp.
- Back wire terminal clamps for easy secure wiring.
- Individual wiring compartments with tapered channel for easy insertion of wires.
- Clear cover over wiring compartments allow easy inspection of wiring terminations.
- Combination head screws standard - slot/Phillips in the U.S.
- Add -C to catalog number for Canadian screws - slot/Robertson head combination.

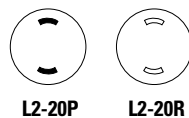
Safety Grip™ Locking Plugs and Connectors

Rating			Description	Cord Diameter	Color	Catalog No.	
A	V/AC	NEMA				Plug	Connector
20	250	L2-20	Straight	0.250"-0.656" (6.4mm-16.7mm)	Black & White	CWL220P	—
			Straight, Polarized	0.250"-0.656" (6.4mm-16.7mm)	Black & White	CWL220P-6	CWL220C

Industrial Grade 20 Amp Flanged Outlet

Rating						
A	V/AC	NEMA	Description	Color	Catalog No.	
20	250	L2-20	Flanged outlet, polarized	Black	CWL220FO	

NOTE: Weather Protective Covers and Boots from Cooper Wiring Devices that may be used with these products are described on pages E-71 – E-72 in this section.



Industrial Specification Grade Hart-Lock® Locking Devices

2 Pole, 3 Wire Grounding
3 Pole, 3 Wire Non-Grounding
NEMA L5-15, 15A 125V
NEMA L6-15, 15A 250V
NEMA L7-15, 15A 277V
Non-NEMA 15/10A 125/250V



INDUSTRIAL
COMMERCIAL

E-4 LOCKING DEVICES

15A 3 Wire Industrial Specification Grade Receptacles

FEATURES

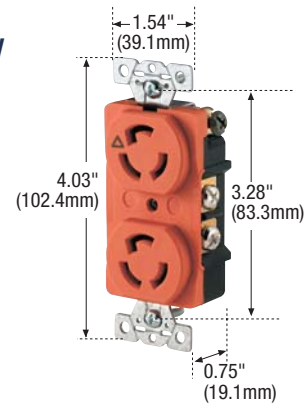
- Fiberglass reinforced nylon body and face.
- Clearly marked rating, NEMA configuration and approval listings on receptacle face.
- One piece brass contacts offer superior performance and minimum heat rise.
- Back wire terminal clamps for easy secure wiring.
- Combination head screws standard – slot/Phillips in the U.S.
- Add -C to catalog number for Canadian screws – slot/Robertson head combination.
- Break off tab for split circuit wiring.
- Safety ground clip provided for fast installation.

Industrial Specification Grade Duplex Receptacles

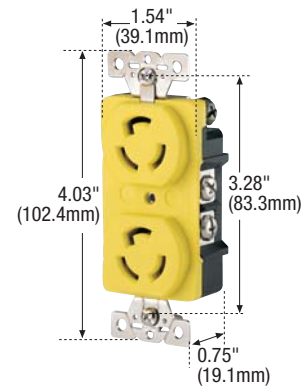
Rating A	V/AC	NEMA	Configuration	Description	Color	Catalog No.
15	125	L5-15	2 Pole, 3 Wire	Standard	Brown	4700
				Isolated ground	Orange	IG4700
				Corrosion Resistant	Yellow	CR4700
				Combination, one locking/ one straight blade	Brown	5792
				Combination, Isolated Ground	Orange	IG5792*
15	250	L6-15	2 Pole, 3 Wire	Standard	Brown	6580
				Isolated Ground	Orange	IG6580*
				With 4" (101.6mm) round metal cover	Brown	6581
15	277	L7-15	2 Pole, 3 Wire	Standard	Brown	4750
				Isolated Ground	Orange	IG4750
15/10	125/250	Non-NEMA	3 Pole, 3 Wire	Standard	Brown	7580*

*Not CSA certified.

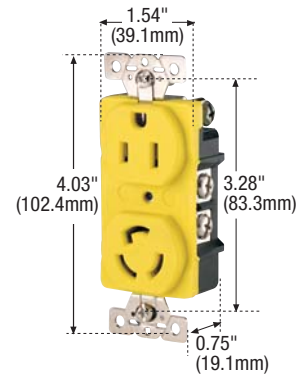
NOTE: Weather Protective Covers from Cooper Wiring Devices that may be used with these products are described on page E-71 in this section.



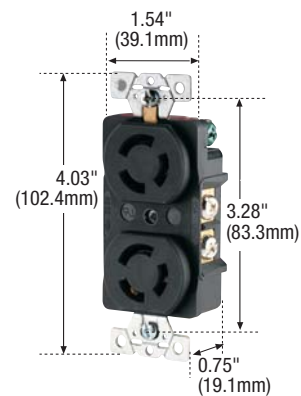
IG4700



CR4700



CR5792



7580



RECEPTACLE NON-NEMA 15A 125V 10A 250V
L5-15R L6-15R L7-15R

TESTING & CODE COMPLIANCE

- Listed to UL 498 (file no. E2369.)
- CSA Certified to C22.2 no. 42 (file no. LR7087) except as noted.

MATERIAL CHARACTERISTICS

Glass filled Nylon.
Temperature Rating:
-40°C to 115°C.



INDUSTRIAL
COMMERCIAL

E-5
LOCKING
DEVICES



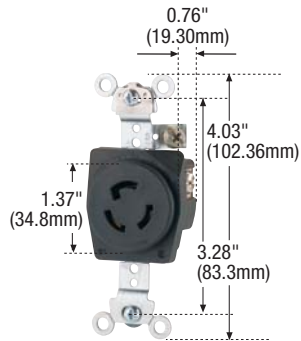
Industrial Specification Grade Hart-Lock® Locking Devices

2 Pole, 3 Wire Grounding
3 Pole, 3 Wire Non-Grounding
NEMA L5-15, 15A 125V
NEMA L6-15, 15A 250V
NEMA L7-15, 15A 277V
Non-NEMA 15/10A 125/250V

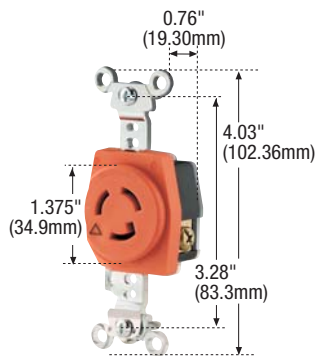
15A 3 Wire Industrial Specification Grade Receptacles

FEATURES

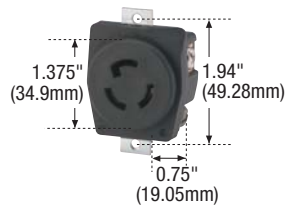
- Fiberglass reinforced nylon body and face.
- Clearly marked rating, NEMA configuration and approval listings on receptacle face.
- One piece brass contacts offer superior performance and minimum heat rise.
- Back wire terminal clamps for easy secure wiring.
- Combination head screws standard – slot/Phillips in the U.S.
- Add -C to catalog number for Canadian screws – slot/Robertson head combination.
- Safety ground clip provided for fast installation.



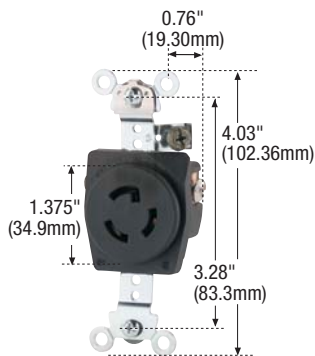
CWL515R



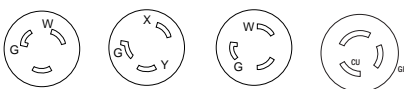
IGL515R



4712



CWL715R



L5-15R

L6-15R

L7-15R

**RECEPTACLE
NON-NEMA
15A 125V
10A 250V**

Industrial Specification Grade Single Receptacles

Rating	A	V/AC	NEMA	Configuration	Description	Color	Catalog No.
15	125	L5-15	2 Pole, 3 Wire	Standard	Brown	CWL515R	
				Isolated ground	Orange	IGL515R	
				Short Strap 1.94" (49.2mm) screw spacing	Brown	4712*	
15	250	L6-15	2 Pole, 3 Wire	Standard	Brown	CWL615R	
				Isolated Ground	Orange	IGL615R*	
				Short Strap 1.94" (49.2mm) screw spacing	Brown	6562	
15	277	L7-15	2 Pole, 3 Wire	Standard	Brown	CWL715R	
				Isolated Ground	Orange	IGL715R*	
				With 4" (101.6mm) round metal cover	Brown	4761	
				Short Strap 1.94" (49.2mm) screw spacing	Brown	4762	
15/10	125/250	Non-NEMA	3 Pole, 3 Wire	Standard	Brown	7582*	

*Not CSA certified

NOTE: Weather Protective Cover from Cooper Wiring Devices that may be used with these products are described on page E-71 in this section.

TESTING & CODE COMPLIANCE

Listed to UL 498, (file no. E2369.)
· CSA Certified to C22.2 no. 42 (file no. LR7087) except as noted.

MATERIAL CHARACTERISTICS

Receptacles:
Glass filled Nylon.
Temperature Rating:
Receptacles:
-40°C to 115°C.

Industrial Specification Grade Hart-Lock® Locking Devices

2 Pole, 3 Wire Grounding
3 Pole, 3 Wire Non-Grounding
NEMA L5-15, 15A 125V
NEMA L6-15, 15A 250V
NEMA L7-15, 15A 277V
Non-NEMA 15/10A 125/250V



INDUSTRIAL
COMMERCIAL

E-6
LOCKING
DEVICES

TESTING & CODE COMPLIANCE

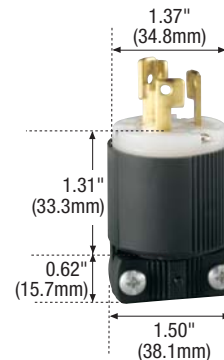
- Listed to UL 498, (file no. E3663).
- CSA Certified to C22.2 no. 42 (file no. LR7087) except as noted.

MATERIAL CHARACTERISTICS
Nylon.
Temperature Rating:
-40°C to 75°C.

15A 3 Wire Industrial Specification Grade Plugs and Connectors

FEATURES

- Nylon construction.
- Back wire Dead-Front design.
- Neoprene gasket seals cord hole from dust and debris.
- Dual range cord grip provides solid cord clamp.
- Back wire terminal clamps for easy secure wiring.
- Individual wiring compartments with tapered channel for easy insertion of wires.
- Clear cover over wiring compartments allow easy inspection of wiring terminations.
- Combination head screws standard - slot/Phillips in the U.S.
- Add "-C" to catalog number for Canadian screws - slot/Robertson head combination.



CWL515P



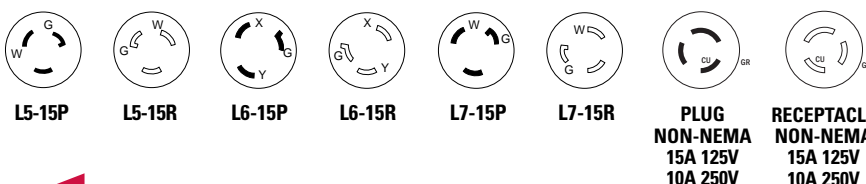
CWL515C

Safety Grip™ Industrial Specification Grade Locking Plugs and Connectors

Rating A	V/AC	NEMA	Config- uration	Description/ Cord Diameter	Color	Catalog No.	
						Plug	Connector
15	125	L5-15	2 Pole, 3 Wire	Straight: 0.250"-0.656" (6.4mm-16.7mm)	Black & White	CWL515P	CWL515C
				Straight: 0.250"-0.656" (6.4mm-16.7mm)	Black	4721BK	4731BK
				Angle: 0.300"-0.656" (7.62mm-16.7mm)	Black & White	CWL515PAN	CWL515CAN
15	250	L6-15	2 Pole, 3 Wire	Straight: 0.250"-0.656" (6.4mm-16.7mm)	Black & White	CWL615P	CWL615C
				Angle: 0.300"-0.656" (7.62mm-16.7mm)	Black & White	CWL615PAN	—
15	277	L7-15	2 Pole, 3 Wire	Straight: 0.250"-0.656" (6.4mm-16.7mm)	Black & White	CWL715P	CWL715C
				Angle: 0.300"-0.656" (7.62mm-16.7mm)	Black & White	CWL715PAN	—
15/ 10	125/ 250	Non- NEMA	3 Pole, 3 Wire	Straight: 0.250"-0.656" (6.4mm-16.7mm)	Black & White	4767*	4755*
				Angle: 0.300"-0.656" (7.62mm-16.7mm)	Black & White	4767AN*	—

*Not CSA certified

NOTE: Weather Protective Boots from Cooper Wiring Devices that may be used with these products are described on page E-72 in this section.





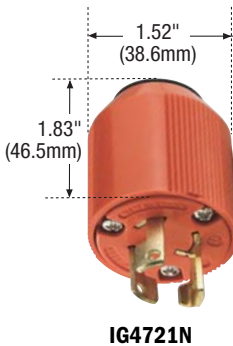
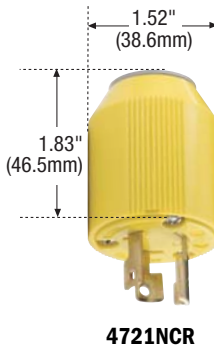
Industrial Specification Grade Hart-Lock® Locking Devices

2 Pole, 3 Wire Grounding
3 Pole, 3 Wire Non-Grounding
NEMA L5-15, 15A 125V
NEMA L6-15, 15A 250V
NEMA L7-15, 15A 277V
Non-NEMA, 10A 250V



INDUSTRIAL
COMMERCIAL

E-7
**LOCKING
DEVICES**



15A 125V AutoGrip™ Industrial Specification Grade Plugs and Connectors

FEATURES

- Nylon construction.
- Back wire Dead-Front design.
- Neoprene gasket seals cord hole from dust and debris.
- Automatic cord grip assembly saves wiring time.
- Back wire terminal clamps for easy secure wiring.
- Individual wiring compartments with tapered channel for easy insertion of wires.
- Combination head screws standard – slot/Phillips in the U.S.
- Add "-C" to catalog number for Canadian screws – slot/Robertson head combination.

AutoGrip™ Industrial Specification Grade Locking Plugs and Connectors

Rating A	V/AC	NEMA	Config- uration	Description/ Cord Diameter	Color	Catalog No.	
						Plug	Connector
15	125	L5-15	2 Pole, 3 Wire	Straight: 0.250"-0.656" (6.4mm-16.7mm)	Black & White	4721N	4731N
				Straight: 0.250"-0.656" (7.62mm-16.7mm)	Black	4721NBK	–
				Straight: 0.250"-0.656" (7.62mm-16.7mm)	Gray	–	4731NGY
				Corrosion Resistant: 0.250"-0.656" (6.4mm-16.7mm)	Yellow	4721NCR	4731NCR
				Isolated Ground: 0.250"-0.656" (6.4mm-16.7mm)	Orange	IG4721N	–
15	250	L6-15	2 Pole, 3 Wire	Straight: 0.250"-0.656" (6.4mm-16.7mm)	Black & White	6565N	6566N
				Isolated Ground: 0.250"-0.656" (6.4mm-16.7mm)	Orange	IG6565N	–
15	277	L7-15	2 Pole, 3 Wire	Straight: 0.250"-0.656" (6.4mm-16.7mm)	Black & White	4771N	4772N
				Straight: 0.250"-0.656" (6.4mm-16.7mm)	White	4771NW	–
15/ 10	125/ 250	Non- NEMA	3 Pole, 3 Wire	Straight: 0.250"-0.656" (6.4mm-16.7mm)	Black & White	7567N*	7565N*

*Not CSA certified

NOTE: Weather Protective Boots from Cooper Wiring Devices that may be used with these products are described on page E-72 in this section.



L5-15P



L5-15R



L6-15P



L6-15R



L7-15P



L7-15R



**PLUG
NON-NEMA
15A 125V
10A 250V**



**RECEPTACLE
NON-NEMA
15A 125V
10A 250V**

TESTING & CODE COMPLIANCE

- Listed to UL 498, (file no. E3663).
- CSA Certified to C22.2 no. 42 (file no. LR7087) except as noted.

MATERIAL CHARACTERISTICS

Nylon.
Temperature Rating:
-40°C to 75°C.

Industrial Specification Grade Hart-Lock® Locking Devices

2 Pole, 3 Wire Grounding
3 Pole, 3 Wire Non-Grounding
NEMA L5-15, 15A 125V
NEMA L6-15, 15A 250V
NEMA L7-15, 15A 277V
Non-NEMA, 15/10A 125/250V



INDUSTRIAL
COMMERCIAL

E-8
LOCKING
DEVICES

TESTING & CODE COMPLIANCE

· Flanged Inlet:
Listed to UL 498,
(file no. E3663).
Flanged Outlets:
Listed to UL 498
(file no. E2369.)
· CSA Certified to
C22.2 no. 42
(file no. LR7087)
except as noted.

MATERIAL CHARACTERISTICS

Nylon.
Environmental:
Flammability
per UL 94
requirements, V2 rated.
Temperature Rating:
-40°C to 75°C.

15A 125V Industrial Specification Grade Flanged Inlets and Outlets

FEATURES

- Nylon construction.
- Mounting holes interchangeable with competitive units.
- Back wire terminal clamps for easy secure wiring.
- Individual wiring compartments with tapered channel for easy insertion of wires.
- Combination head screws standard – slot/Phillips in the U.S.
- Add "-C" to catalog number for Canadian screws – slot/Robertson head combination.

Industrial Specification Grade Locking Flanged Inlets and Outlets

Rating A	V/AC	NEMA	Configuration	Color	Catalog No.	
					Inlet	Outlet
15	125	L5-15	2 Pole, 3 Wire	Black & White	CWL515FI	CWL515FO
15	250	L6-15	2 Pole, 3 Wire	Black & White	CWL615FI	CWL615FO
15	277	L7-15	2 Pole, 3 Wire	Black & White	CWL715FI	CWL715FO
15/10	125/250	Non-NEMA	3 Pole, 3 Wire	Black & White	7556C*	7557C*

*Not CSA certified.

NOTE: Weather Protective Covers from Cooper Wiring Devices that may be used with these products are described on page E-71 in this section.



CWL515FI



CWL515FO



L5-15P



L5-15R



L6-15P



L6-15R



L7-15P



L7-15R



**PLUG
NON-NEMA
15A 125V
10A 250V**



**RECEPTACLE
NON-NEMA
15A 125V
10A 250V**



Industrial Specification Grade Hart-Lock® Locking Devices

2 Pole, 3 Wire Grounding
NEMA L5-20, 20A 125V
NEMA L6-20, 20A 250V
NEMA L7-20, 20A 277V
NEMA L8-20, 20A 480V
NEMA L9-20, 20A 600V

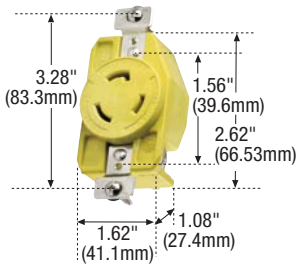
20A 2 Pole, 3 Wire Grounding Industrial Specification Grade Locking Receptacles

FEATURES

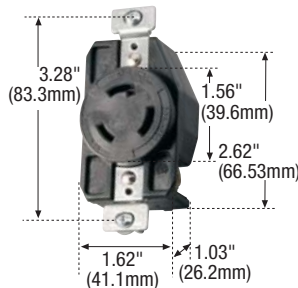
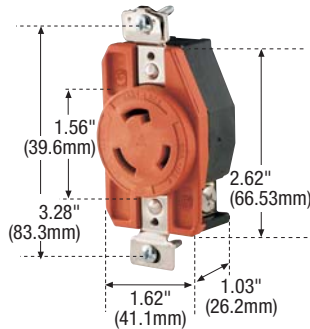
- Rugged fiberglass reinforced nylon body.
- Clearly marked rating, NEMA configuration and approval listings on receptacle face.
- One piece brass contacts offer superior performance and minimum heat rise.
- Back wire terminal clamps for easy secure wiring.
- Combination head screws standard - slot/Phillips in the U.S.
- Add -C to catalog number for Canadian screws - slot/Robertson head combination.
- Safety ground clip provided for fast installation.

INDUSTRIAL
COMMERCIAL

E-9 LOCKING DEVICES



CRL520R



Industrial Specification Grade Locking Receptacles

Rating	A	V/AC	NEMA	Description	Color	Catalog No.
20	125	L5-20	Standard	Black	CWL520R*	
			Corrosion Resistant	Yellow	CRL520R*	
			Isolated Ground	Orange	IGL520R	
20	250	L6-20	Standard	Black	CWL620R*	
			Corrosion Resistant	Yellow	CRL620R*	
			Isolated Ground	Orange	IGL620R	
20	277	L7-20	Standard	Black	CWL720R*	
			Isolated Ground	Orange	IGL720R	
20	480	L8-20	Standard	Black	CWL820R*	
			Isolated Ground	Orange	IGL820R	
20	600	L9-20	Standard	Black	CWL920R	

*UL Listed to Federal Spec. WC-596

NOTE: Weather Protective Covers from Cooper Wiring Devices that may be used with these products are described on page E-71 in this section.

TESTING & CODE COMPLIANCE

- Listed to UL 498 (file no. E2369).
- CSA Certified to C22.2 no. 42 (file no. LR7087).

MATERIAL CHARACTERISTICS

Glass filled Nylon.
 Environmental:
 Flammability per UL 94 requirements, VO rated.
 Temperature Rating:
 Receptacles:
 -40°C to 105°C.



Industrial Specification Grade Hart-Lock® Locking Devices

2 Pole, 3 Wire Grounding
NEMA L5-20, 20A 125V
NEMA L6-20, 20A 250V
NEMA L7-20, 20A 277V
NEMA L8-20, 20A 480V
NEMA L9-20, 20A 600V

20A 2 Pole, 3 Wire Grounding Industrial Specification Grade Plugs and Connectors

FEATURES

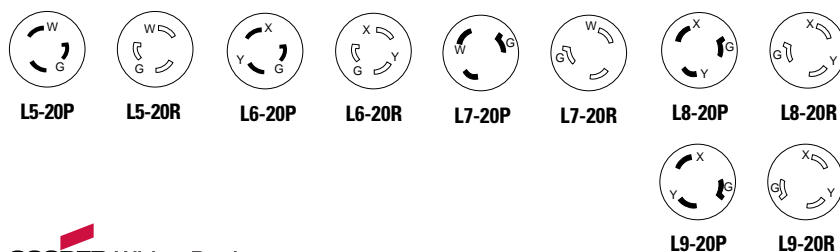
- All nylon construction.
- Back wire Dead-Front design.
- Neoprene gasket seals cord hole from dust and debris.
- Inserts included for three separate cord grip ranges.
- Back wire terminal clamps for easy secure wiring.
- Individual wiring compartments with tapered channel for easy insertion of wires.
- Clear cover over wiring compartments allow easy inspection of wiring terminations.
- Combination head screws standard - slot/Phillips in the U.S.
- Add "-C" to catalog number for Canadian screws - slot/Robertson head combination.

Industrial Specification Grade Locking Plugs and Connectors

Rating A	V/AC	NEMA	Description/ Cord Diameter	Color	Catalog No. Plug	Catalog No. Connector
15	125	L5-20	Straight: 0.38"-1.00" (9.5mm-25.4mm)	Black & White	CWL520P	CWL520C
			Straight: 0.38"-1.00" (9.5mm-25.4mm)	Black	CWL520PBK	CWL520CBK
			Corrosion Resistant: 0.38"-1.00" (9.5mm-25.4mm)	Yellow	CRL520P	CRL520C
			Isolated Ground: 0.38"-1.00" (9.5mm-25.4mm)	Orange	IGL520P	—
20	250	L6-20	Straight: 0.38"-1.00" (9.5mm-25.4mm)	Black & White	CWL620P	CWL620C
			Straight: 0.38"-1.00" (9.5mm-25.4mm)	Black	6212BK	6214BK
			Corrosion Resistant: 0.38"-1.00" (9.5mm-25.4mm)	Yellow	CRL620P	—
			Isolated Ground: 0.38"-1.00" (9.5mm-25.4mm)	Orange	IGL620P	—
20	277	L7-20	Straight: 0.38"-1.00" (9.5mm-25.4mm)	Black & White	CWL720P	CWL720C
20	480	L8-20	Straight: 0.38"-1.00" (9.5mm-25.4mm)	Black & White	CWL820P	CWL820C
20	600	L9-20	Straight: 0.30"-0.95" (7.6mm-24.1mm)	Black & White	CWL920P**	CWL920C**

** UL (file no E1381), CSA (file no. LR16215)

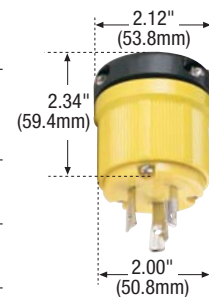
NOTE: Weather Protective Boots from Cooper Wiring Devices that may be used with these products are described on page E-72 in this section.



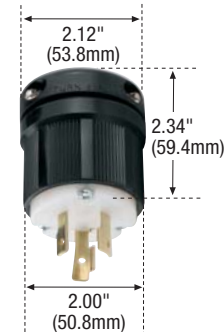
CWL520C



CWL520P



CRL520P



CWL620P



CRL520C



INDUSTRIAL
COMMERCIAL

E-10
LOCKING
DEVICES

TESTING & CODE COMPLIANCE

- Listed to UL 498 (file no. E3663).
- cUL Certified to CSA C22.2 no. 42. (file no. E3663).

MATERIAL CHARACTERISTICS

Nylon.
Temperature Rating:
-40°C to 75°C;
except CWL920P,
CWL920C,
-40°C to 60°C.



Industrial Specification Grade Hart-Lock® Locking Devices

2 Pole, 3 Wire Grounding
NEMA L5-20, 20A 125V
NEMA L6-20, 20A 250V
NEMA L7-20, 20A 277V
NEMA L8-20, 20A 480V
NEMA L9-20, 20A 600V



CWL520FO



CWL520FI



CWL920FI



CWL920FO

20A 2 Pole, 3 Wire Industrial Specification Grade Flanged Inlet and Outlet

FEATURES

- All nylon construction.
- Mounting holes interchangeable with competitive units.
- Back wire terminal clamps for easy secure wiring.
- Individual wiring compartments with tapered channel for easy insertion of wires.
- Combination head screws standard – slot/Phillips in the U.S.
- Add "-C" to catalog number for Canadian screws – slot/Robertson head combination.

Industrial Specification Grade Flanged Inlets and Outlets

Rating A	V/AC	NEMA	Color	Catalog No.	
				Inlet	Outlet
20	125	L5-20	Black & White	CWL520FI	CWL520FO
20	250	L6-20	Black & White	CWL620FI	CWL620FO
20	277	L7-20	Black & White	CWL720FI	CWL720FO
20	480	L8-20	Black & White	CWL820FI	CWL820FO
20	600	L9-20	White	CWL920FI*#	CWL920FO**#

*UL (file no. 1381)

**UL (file no. 2558)

#CSA Listed (file no. LR16215)

NOTE: Weather Protective Covers and Enclosures from Cooper Wiring Devices that may be used with these products are described on pages E-71, E-73 and E-74 in this section.

INDUSTRIAL
COMMERCIAL

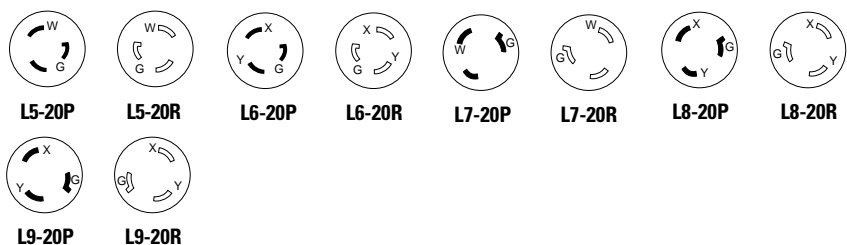
E-11
LOCKING
DEVICES

TESTING & CODE COMPLIANCE

Flanged Inlet:
Listed to UL 498,
(file no. E3663).
Flanged Outlets:
listed to UL 498
(file no. E2369).
· cUL Certified to
CSA C22.2 no. 42
(file no. E3663
and E2369)
except as noted.

MATERIAL CHARACTERISTICS

Nylon.
Environmental:
Flammability
per UL 94
requirements,
V2 rated except
CWL920FI,
CWL920FO
Temperature Rating:
Flanged Inlets
and Outlets:
-40°C to 80°C
except CWL920FI,
CWL920FO:
-40°C to 60°C.



Industrial Specification Grade Hart-Lock® Locking Devices

2 Pole, 3 Wire Grounding
NEMA L5-30, 30A 125V
NEMA L6-30, 30A 250V
NEMA L7-30, 30A 277V
NEMA L8-30, 30A 480V
NEMA L9-30, 30A 600V



INDUSTRIAL
COMMERCIAL

E-12 LOCKING DEVICES

TESTING & CODE COMPLIANCE

- Listed to UL 498 (file no. E2369).
- CSA Certified to C22.2 no. 42 (file no. LR7087).

MATERIAL CHARACTERISTICS

Glass filled Nylon.
Environmental:
Flammability per
UL 94 requirements,
V0 rated.
Temperature Rating:
-40°C to 105°C.

30A 2 Pole, 3 Wire Grounding Industrial Specification Grade Locking Receptacles

FEATURES

- Rugged fiberglass reinforced nylon body and face.
- Clearly marked rating, NEMA configuration and approval listings on receptacle face.
- One piece brass contacts offer superior performance and minimum heat rise.
- Back wire terminal clamps for easy secure wiring.
- Combination head screws standard – slot/Phillips in the U.S.
- Add -C to catalog number for Canadian screws – slot/Robertson head combination.
- Safety ground clip provided for fast installation.

Industrial Specification Grade Single Receptacles – Back and Side Wire

Rating	A	V/AC	NEMA	Description	Color	Catalog No.
30	125	L5-30	Standard	Black	CWL530R*	
			Corrosion Resistant	Yellow	CRL530R*	
			Isolated Ground	Orange	IGL530R	
30	250	L6-30	Standard	Black	CWL630R*	
			Corrosion Resistant	Yellow	CRL630R*	
			Isolated Ground	Orange	IGL630R	
30	277	L7-30	Standard	Black	CWL730R*	
			Isolated Ground	Orange	IGL730R	
30	480	L8-30	Standard	Black	CWL830R*	
			Isolated Ground	Orange	IGL830R	
30	600	L9-30	Standard	Black	CWL930R	

*UL Listed to Federal Spec. WC-596F

NOTE: Weather Protective Covers from Cooper Wiring Devices that may be used with these products are described on page E-71 in this section.



CWL530R



CWL630R





Industrial Specification Grade Hart-Lock® Locking Devices

2 Pole, 3 Wire Grounding
NEMA FSL1-30, 30A 28V/DC
NEMA FSL2-30, 30A 120V
NEMA L5-30, 30A 125V
NEMA L6-30, 30A 250V
NEMA L7-30, 30A 277V
NEMA L8-30, 30A 480V
NEMA L9-30, 30A 600V

30A 2 Pole, 3 Wire Grounding Industrial Specification Grade Plugs and Connectors

FEATURES

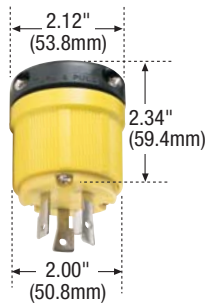
- Back wire Dead-Front design.
- Neoprene gasket seals cord hole from dust and debris.
- Inserts included for three separate cord grip ranges.
- Back wire terminal clamps for easy secure wiring.
- Individual wiring compartments with tapered channel for easy insertion of wires.
- Clear cover over wiring compartments allow easy inspection of wiring terminations.
- Combination head screws standard – slot/Phillips in the U.S.
- Add -C to catalog number for Canadian screws – slot/Robertson head combination.



CWL530P



CWL730P



CRL530P

Industrial Specification Grade Locking Plugs and Connectors

Rating A	V/AC	NEMA	Description/ Cord Diameter	Color	Catalog No. Plug	Connector
30	28V/DC	FSL1-30	Straight: 0.30"-0.95" (7.6mm-24.1mm)	Black & White	FSL130P*	FSL130C*
30	120, 400Hz	FSL2-30	Straight: 0.30"-0.95" (7.6mm-24.1mm)	Black & White	FSL230P*	FSL230C*
30	125	L5-30	Straight: 0.38"-1.00" (9.5mm-25.4mm)	Black & White	CWL530P	CWL530C
			Straight: 0.38"-1.00" (9.5mm-25.4mm)	Black	6332BK	6334BK
			Corrosion Resistant: 0.38"-1.00" (9.5mm-25.4mm)	Yellow	CRL530P	CRL530C
30	250	L6-30	Straight: 0.38"-1.00" (9.5mm-25.4mm)	Black & White	CWL630P	CWL630C
			Corrosion Resistant: 0.38"-1.00" (9.5mm-25.4mm)	Yellow	CRL630P	CRL630C
30	277	L7-30	Straight: 0.38"-1.00" (9.5mm-25.4mm)	Black & White	CWL730P	CWL730C
30	480	L8-30	Straight: 0.38"-1.00" (9.5mm-25.4mm)	Black & White	CWL830P	CWL830C
30	600	L9-30	Straight: 0.30"-0.95" (7.6mm-24.1mm)	Black & White	CWL930P*	CWL930C*

*UL (file no. E1381), CSA (file no. LR16215).

NOTE: Weather Protective Boots from Cooper Wiring Devices that may be used with these products are described on page E-72.



FSL1P



FSL1R



FSL2P



FSL2R



L5-30P



L5-30R



L6-30P



L6-30R



L7-30P



L7-30R



L8-30P



L8-30R



L9-30P



L9-30R

INDUSTRIAL
COMMERCIAL

E-13
LOCKING
DEVICES

TESTING & CODE COMPLIANCE

· Listed to UL 498
(file no. E3663).
· cUL Certified to
CSA C22.2 no. 42
(file no. E3663)
except as noted.

MATERIAL CHARACTERISTICS

Nylon.
Temperature Rating:
-40°C to 75°C;
except CWL930P,
CWL930C,
-40°C to 60°C.

Industrial Specification Grade Hart-Lock® Locking Devices

2 Pole, 3 Wire Grounding
NEMA L5-30, 30A 125V
NEMA L6-30, 30A 250V
NEMA L7-30, 30A 277V
NEMA L8-30, 30A 480V
NEMA L9-30, 30A 600V



INDUSTRIAL
COMMERCIAL

E-14 LOCKING DEVICES

TESTING & CODE COMPLIANCE

Flanged Inlet:
Listed to UL 498
(file no. E3663).
Flanged Outlets:
Listed to UL 498
(file no. E2369).
· cUL Certified to
CSA C22.2 no. 42
(file no. E3663
and E2369)
except as noted.

MATERIAL CHARACTERISTICS

Nylon.
Environmental:
Flammability
per UL 94
requirements,
V2 rated except
CWL930FI, CWL930FO.
Temperature Rating:
-40°C to 80°C except
CWL930FI, CWL930FO:
-40°C to 60°C.

30A 2 Pole, 3 Wire Industrial Specification Grade Flanged Inlet and Outlet

FEATURES

- Mounting holes interchangeable with competitive units.
- Back wire terminal clamps for easy secure wiring.
- Individual wiring compartments with tapered channel for easy insertion of wires.
- Combination head screws standard - slot/Phillips in the U.S.
- Add -C to catalog number for Canadian screws - slot/Robertson head combination.

Industrial Specification Grade Flanged Inlets and Outlets

Rating A	V/AC	NEMA	Color	Catalog No. Inlet	Outlet
30	125	L5-30	Black & White	CWL530FI	CWL530FO
30	250	L6-30	Black & White	CWL630FI	CWL630FO
30	277	L7-30	Black & White	CWL730FI	CWL730FO
30	480	L8-30	Black & White	CWL830FI	CWL830FO
30	600	L9-30	White	CWL930FI*#	CWL930FO†#

* UL (file no. E1381)

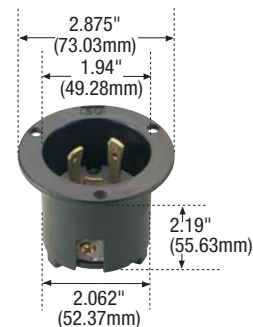
† UL (file no. E2258)

CSA (file no. LR16215)

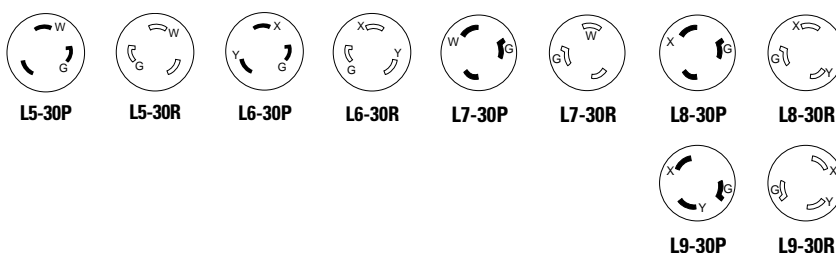
NOTE: Weather Protective Covers and Enclosures from Cooper Wiring Devices that may be used with these products are described on pages E-71, E-73 and E-74 in this section.



CWL530FI



CWL730FI





Industrial Specification Grade Hart-Lock® Locking Devices

**3 Pole, 3 Wire Non-Grounding
Non-NEMA, 20A 125/250V
NEMA L10-20, 20A 125/250V
NEMA L11-20, 20A 250V 3Ø
NEMA L12-20, 20A 480V 3Ø**

INDUSTRIAL
COMMERCIAL

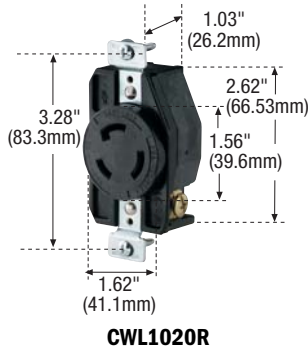
E-15 LOCKING DEVICES

TESTING & CODE COMPLIANCE

Listed to UL 498,
Plugs & Connectors:
(file no. E3663).
Receptacles:
(file no. E2369)
except as noted.

MATERIAL CHARACTERISTICS

Receptacles:
Glass filled Nylon,
Plugs & Connectors:
Nylon.
Environmental:
Flammability
per UL 94
requirements,
Receptacles VO rated.
Temperature Rating:
Receptacles:
-40°C to 105°C;
Plugs & Connectors:
-40°C to 75°C
except CWL1220P,
CWL1220C:
-40°C to 60°C.



20A 3 Pole, 3 Wire Grounding Industrial Specification Grade Locking Receptacles

FEATURES

- Rugged fiberglass reinforced nylon body.
- Clearly marked rating, NEMA configuration and approval listings on receptacle face.
- One piece brass contacts offer superior performance and minimum heat rise.
- Back wire terminal clamps for easy secure wiring.
- Combination head screws standard - slot/Phillips in the U.S.
- Add -C to catalog number for Canadian screws - slot/Robertson head combination.
- Safety ground clip provided for fast installation.

Industrial Specification Grade Single Receptacles - Back and Side Wire

Rating A	V/AC	NEMA	Description	Color	Catalog No.
20	125/250	Non-NEMA	Standard	Black	7310B
20	125/250	L10-20	Standard	Black	CWL1020R
20	250V 3Ø	L11-20	Standard	Black	CWL1120R
20	480V 3Ø	L12-20	Standard	Black	CWL1220R

20A 3 Pole, 3 Wire Grounding Industrial Specification Grade Plugs and Connectors

FEATURES

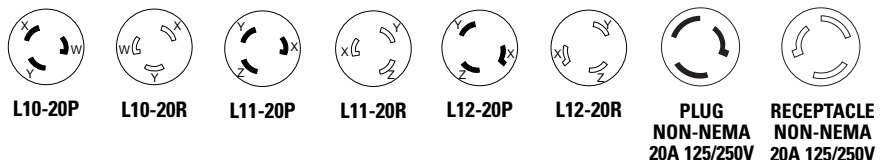
- Nylon construction.
- Back wire Dead-Front design.
- Neoprene gasket seals cord hole from dust and debris.
- Inserts included for three separate cord grip ranges.
- Back wire terminal clamps for easy secure wiring.
- Individual wiring compartments with tapered channel for easy insertion of wires.
- Clear cover over wiring compartments allow easy inspection of wiring terminations.
- Combination head screws standard - slot/Phillips in the U.S.
- Add -C to catalog number for Canadian screws - slot/Robertson head combination.

Industrial Specification Grade Locking Plugs and Connectors

Rating A	V/AC	NEMA	Description/ Cord Diameter	Color	Catalog No. Plug	Catalog No. Connector
20	125/250	Non-NEMA	Straight: 0.38"-1.00" (9.5mm-25.4mm)	Black & White	9965C	7314C
20	125/250	L10-20	Straight: 0.38"-1.00" (9.5mm-25.4mm)	Black & White	CWL1020P	CWL1020C
20	250V 3Ø	L11-20	Straight: 0.38"-1.00" (9.5mm-25.4mm)	Black & White	CWL1120P	CWL1120C
20	480V 3Ø	L12-20	Straight: 0.30"-0.95" (7.6mm-24.1mm)	Black & White	CWL1220P*	CWL1220C*

*UL (file no. E1381)

NOTE: Weather Protective Covers and Boots from Cooper Wiring Devices that may be used with these products are described on pages E-71 and E-72 in this section.



Industrial Specification Grade Hart-Lock® Locking Devices

3 Pole, 3 Wire Non-Grounding
Non-NEMA, 20A 125/250V
NEMA L10-20, 20A 125/250V
NEMA L11-20, 20A 250V 3Ø
NEMA L12-20, 20A 480V 3Ø



INDUSTRIAL
COMMERCIAL

E-16 LOCKING DEVICES

20A 3 Pole, 3 Wire Industrial Specification Grade Flanged Inlets and Outlets

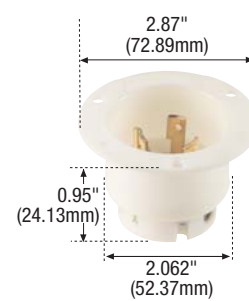
FEATURES

- All nylon construction.
- Mounting holes interchangeable with competitive units.
- Back wire terminal clamps for easy secure wiring.
- Individual wiring compartments with tapered channel for easy insertion of wires.
- Combination head screws standard – slot/Phillips in the US.
- Add -C to catalog number for Canadian screws – slot/Robertson head combination.

Industrial Specification Grade Flanged Inlets and Outlets

Rating		Catalog No.			
A	V/AC	NEMA	Color	Inlet	Outlet
20	125/250	Non-NEMA	Black & White	7327N	7328N
20	125/250	L10-20	Black & White	CWL1020FI	CWL1020FO
20	250V 3Ø	L11-20	Black & White	CWL1120FI	CWL1120FO
20	480V 3Ø	L12-20	White	CWL1220FI*	CWL1220FO**

*UL (file no. 1381)
**UL (file no. 2558)



CWL1220FI

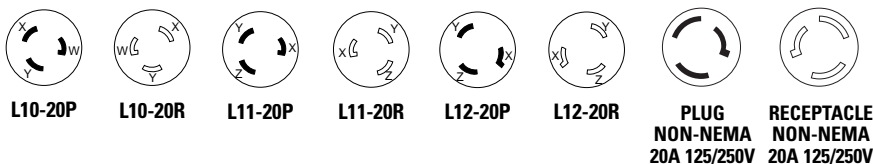
NOTE: Weather Protective Covers and Enclosures from Cooper Wiring Devices that may be used with these products are described on pages E-71, E-73 and E-74 in this section.

TESTING & CODE COMPLIANCE

Flanged Inlet:
Listed to UL 498, (file no. E3663).
Flanged Outlets:
Listed to UL 498 (file no. E2369) except as noted.

MATERIAL CHARACTERISTICS

Nylon.
Environmental:
Flammability per UL 94 requirements, V2 rated except CWL1220FI, CWL1220FO
Temperature Rating:
Flanged Inlets and Outlets:
-40°C to 80°C except CWL1220FI, CWL1220FO:
-40°C to 60°C.





INDUSTRIAL
COMMERCIAL

E-17 LOCKING DEVICES

TESTING & CODE COMPLIANCE

Listed to UL 498,
Plugs & Connectors:
(file no. E3663)
except CWL1230P,
CWL1230C,
CWPL1330P
CWL1330C,
(file no. E1381).
Receptacles:
(file no. E2369).

MATERIAL CHARACTERISTICS

Receptacles:
Glass filled Nylon,
Plugs & Connectors:
Nylon.
Environmental:
Flammability
per UL 94
requirements,
Receptacles VO rated.
Temperature Rating:
Receptacles:
-40°C to 105°C;
Plugs & Connectors:
-40°C to 75°C
except CWL1230P, C
& CWL1330P, C:
-40°C to 60°C.



Industrial Specification Grade Hart-Lock® Locking Devices

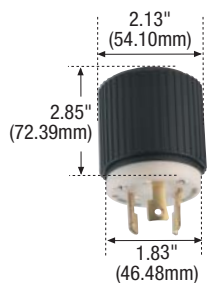
**3 Pole, 3 Wire Non-Grounding
Non-NEMA, 30A 125/250V
NEMA L10-30, 30A 125/250V
NEMA L11-30, 30A 250V 3Ø
NEMA L12-30, 30A 480V 3Ø
NEMA L13-30, 30A 600V 3Ø**



CWL1130P



CWL1030R



CWL1230P



CWL1230C

30A 3 Pole, 3 Wire Non-Grounding Industrial Specification Grade Locking Receptacles

FEATURES

- Rugged fiberglass reinforced nylon body.
- Clearly marked rating, NEMA configuration and approval listings on receptacle face.
- One piece brass contacts offer superior performance and minimum heat rise.
- Back wire terminal clamps for easy secure wiring.
- Combination head screws standard - slot/Phillips in the U.S.
- Add -C to catalog number for Canadian screws - slot/Robertson head combination.
- Safety ground clip provided for fast installation.

Industrial Specification Grade Single Receptacles - Back and Side Wire

Rating	A	V/AC	NEMA	Description	Color	Catalog No.
30	125/250	Non-NEMA	Single	Black	3330-2	
30	125/250	L10-30	Single	Black	CWL1030R	
30	250V 3Ø	L11-30	Single	Black	CWL1130R	
30	480V 3Ø	L12-30	Single	Black	CWL1230R	
30	600V 3Ø	L13-30	Single	Black	CWL1330R	

30A 3 Pole, 3 Wire Non-Grounding Industrial Specification Grade Plugs and Connectors

FEATURES

- Nylon construction.
- Back wire "Dead-Front" design.
- Neoprene gasket seals cord hole from dust and debris.
- Inserts included for three separate cord grip ranges.
- Back wire terminal clamps for easy secure wiring.
- Individual wiring compartments with tapered channel for easy insertion of wires.
- Clear cover over wiring compartments allow easy inspection of wiring terminations.
- Combination head screws standard - slot phillips in the U.S.

Industrial Specification Grade Locking Plugs and Connectors

Rating	A	V/AC	NEMA	Cord Diameter	Color	Plug	Catalog No. Connector
30	125/250	Non-NEMA	0.38"-1.00" (9.5mm-25.4mm)	Black & White	3331N	3333N	
30	125/250	L10-30	0.38"-1.00" (9.5mm-25.4mm)	Black & White	CWL1030P	CWL1030C	
30	250V 3Ø	L11-30	0.38"-1.00" (9.5mm-25.4mm)	Black & White	CWL1130P	CWL1130C	
30	480V 3Ø	L12-30	Straight: 0.30"-0.95" (7.6mm-24.1mm)	Black & White	CWL1230P	CWL1230C	
30	600V 3Ø	L13-30	Straight: 0.30"-0.95" (7.6mm-24.1mm)	Black & White	CWL1330P	CWL1330C	

NOTE: Weather Protective Covers and Boots from Cooper Wiring Devices that may be used with these products are described on pages E-71 and E-72 in this section.



**PLUG
NON-NEMA
30A 125/250V**



**RECEPTACLE
NON-NEMA
30A 125/250V**



L10-30P



L10-30R



L11-30P



L11-30R



L12-30P



L12-30R



L13-30P



L13-30R

Industrial Specification Grade Hart-Lock® Locking Devices

3 Pole, 3 Wire Non-Grounding
Non-NEMA, 30A 125/250V
NEMA L10-30, 30A 125/250V
NEMA L11-30, 30A 250V 3Ø
NEMA L12-30, 30A 480V 3Ø
NEMA L13-30, 30A 600V 3Ø



INDUSTRIAL
COMMERCIAL

E-18 LOCKING DEVICES

TESTING & CODE COMPLIANCE

Flanged Inlet:
Listed to UL 498,
(file no. E3663).
Flanged Outlets:
Listed to UL 498
(file no. E2369)
except as noted.

MATERIAL CHARACTERISTICS

Nylon.
Environmental:
Flammability
per UL 94
requirements,
V2 rated except
CWL1230FI, FO &
CWL1330FI, FO.
Temperature Rating:
Flanged Inlets
and Outlets:
-40°C to 80°C
except CWL1230FI, FO
& CWL1330FI, FO:
-40°C to 60°C.

30A 3 Pole, 3 Wire Industrial Grade Flanged Inlet and Outlet

FEATURES

- All nylon construction.
- Mounting holes interchangeable with competitive units.
- Back wire terminal clamps for easy secure wiring.
- Individual wiring compartments with tapered channel for easy insertion of wires.
- Combination head screws standard - slot/Phillips in the U.S.
- Add -C to catalog number for Canadian screws - slot/Robertson head combination.

Industrial Specification Grade Flanged Inlets and Outlets

Rating A	V/AC	NEMA	Color	Catalog No.	
				Inlet	Outlet
30	125/250	Non-NEMA	Black & White	3337N	3336N
30	125/250	L10-30	Black & White	CWL1030FI	CWL1030FO
30	250V 3Ø	L11-30	Black & White	CWL1130FI	CWL1130FO
30	480V 3Ø	L12-30	White	CWL1230FI*	CWL1230FO**
30	600V 3Ø	L13-30	White	CWL1330FI*	CWL1330FO**

*UL (file no. 1381)

**UL (file no. 2558)

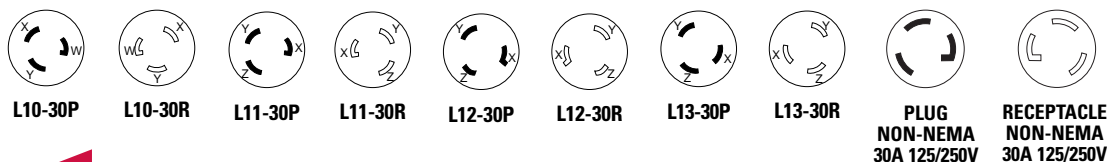
NOTE: Weather Protective Covers and Enclosures from Cooper Wiring Devices that may be used with these products are described on pages E-71, E-73 and E-74 in this section.



CWL1230FI



CWL1230FO





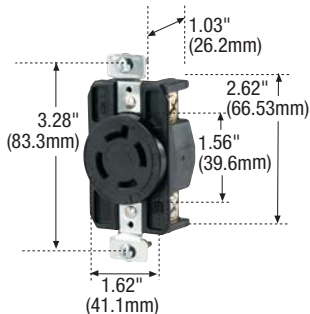
Industrial Specification Grade Hart-Lock® Locking Devices

3 Pole, 4 Wire Grounding
NEMA L14-20, 20A 125/250V
NEMA L15-20, 20A 250V 3Ø
NEMA L16-20, 20A 480V 3Ø

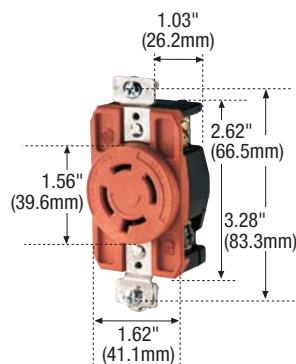
20A 3 Pole, 4 Wire Grounding Industrial Specification Grade Locking Receptacles

FEATURES

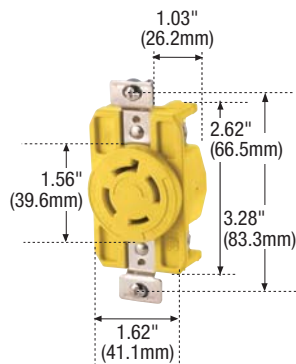
- Rugged fiberglass reinforced nylon body.
- Clearly marked rating, NEMA configuration and approval listings on receptacle face.
- One piece brass contacts offer superior performance and minimum heat rise.
- Back wire terminal clamps for easy secure wiring.
- Combination head screws standard - slot/Phillips in the U.S.
- Add -C to catalog number for Canadian screws - slot/Robertson head combination.
- Safety ground clip provided for fast installation.



CWL1420R



IGL1420R



CRL1420R

Industrial Specification Grade Single Receptacles - Back and Side Wire

Rating	A	V/AC	NEMA	Description	Color	Catalog No.
20	125/250	L14-20	Standard	Black	CWL1420R	
			Corrosion Resistant	Yellow	CRL1420R	
			Isolated Ground	Orange	IGL1420R*	
20	250V 3Ø	L15-20	Standard	Black	CWL1520R	
			Corrosion Resistant	Yellow	CRL1520R	
			Isolated Ground	Orange	IGL1520R*	
20	480V 3Ø	L16-20	Standard	Black	CWL1620R*	
			Isolated Ground	Orange	IGL1620R*	

*Not Federal spec. listed

NOTE: Weather Protective Covers from Cooper Wiring Devices that may be used with these products are described on page E-71 in this section.

INDUSTRIAL
COMMERCIAL

E-19
LOCKING
DEVICES

TESTING & CODE COMPLIANCE

- Listed to UL 498 (file no. E2369).
- UL Listed to Federal Spec. W-C-596 except as noted.
- CSA Certified to C22.2 no. 42 (file no. LR7087).

MATERIAL CHARACTERISTICS

Glass filled Nylon.
Meets flammability per UL 94 requirements, VO rated.
Temperature Rating: -40°C to 105°C.



L14-20R



L15-20R



L16-20R

Industrial Specification Grade Hart-Lock® Locking Devices

3 Pole, 4 Wire Grounding
NEMA L14-20, 20A 125/250V
NEMA L15-20, 20A 250V 3Ø
NEMA L16-20, 20A 480V 3Ø



20A 3 Pole, 4 Wire Grounding Industrial Specification Grade Plugs and Connectors

FEATURES

- Back wire Dead-Front design.
- Neoprene gasket seals cord hole from dust and debris.
- Inserts included for three separate cord grip ranges.
- Back wire terminal clamps for easy secure wiring.
- Individual wiring compartments with tapered channel for easy insertion of wires.
- Clear cover over wiring compartments allows easy inspection of wiring terminations.
- Combination head screws standard – slot/Phillips in the U.S.
- Add -C to catalog number for Canadian screws – slot/Robertson head combination.



CWL1520P

Industrial Specification Grade Locking Plugs and Connectors

Rating A	V/AC	NEMA	Description/ Cord Diameter	Color	Catalog No.	
					Plug	Connector
20	125/250	L14-20	Standard: 0.38"-1.00" (9.5mm-25.4mm)	Black & White	CWL1420P	CWL1420C
			Standard: 0.38"-1.00"	Black	CWL1420PBK	CWL1420CBK
			Corrosion Resistant: .38"-1.00" (9.5mm-25.4mm)	Yellow	CRL1420P	CRL1420C
20	250V 3Ø	L15-20	Standard: 0.38"-1.00" (9.5mm-25.4mm)	Black & White	CWL1520P	CWL1520C
			Corrosion Resistant: .38"-1.00" (9.5mm-25.4mm)	Yellow	CRL1520P	CRL1520C
20	480V 3Ø	L16-20	Standard: 0.38"-1.00" (9.5mm-25.4mm)	Black & White	CWL1620P	CWL1620C
			Standard: 0.38"-1.00"	Black	CWL1620PBK	CWL1620CBK



CWL1420FO



6405BK



CWL1620FO

20A 3 Pole, 4 Wire Industrial Specification Grade Flanged Inlet and Outlet

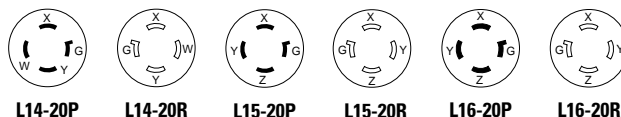
FEATURES

- Mounting holes interchangeable with competitive units.
- Back wire terminal clamps for easy secure wiring.
- Individual wiring compartments with tapered channel for easy insertion of wires.
- Combination head screws standard – slot/Phillips in the U.S.
- Add "-C" to catalog number for Canadian screws – slot/Robertson head combination.

Industrial Specification Grade Flanged Inlets and Outlets

Rating A	V/AC	NEMA	Color	Catalog No.	
				Inlet	Outlet
20	125/250	L14-20	Black & White	CWL1420FI	CWL1420FO
			Black	6405BK	6406BK
20	250V 3Ø	L15-20	Black & White	CWL1520FI	CWL1520FO
20	480V 3Ø	L16-20	Black & White	CWL1620FI	CWL1620FO

NOTE: Weather Protective Covers, Enclosures and Boots Cooper Wiring Devices that may be used with these products are described on pages E-71 – E-74 in this section.



INDUSTRIAL
COMMERCIAL

E-20
LOCKING
DEVICES

TESTING & CODE COMPLIANCE

- Listed to UL 498 Plugs, Connectors, Flanged Inlet: (file no. E3663). Flanged Outlets: (file no. E2369).
- cUL Certified to CSA C22.2 no. 42 (file no. E3663 and E2369).

MATERIAL CHARACTERISTICS

Nylon.
Environmental:
Flammability per UL 94 requirements.
Flanged Inlets and Outlets are V2 rated.
Temperature Rating:
Plugs, Connectors: -40°C to 75°C;
Flanged Inlets, Outlets: -40°C to 80°C.



INDUSTRIAL
COMMERCIAL

E-21 LOCKING DEVICES

TESTING & CODE COMPLIANCE

- Listed to UL 498 (file no. E2369); UL Listed to Federal Spec. WC-596.
- CSA Certified to C22.2 no. 42 (file no. LR7087) except as noted.

MATERIAL CHARACTERISTICS

Glass filled Nylon except FSL330R is Urea.

Environmental:
Flammability per UL 94 requirements, VO rated except FSL330R.

Temperature Rating:
-40°C to 105°C except FSL330R:
-40°C to 60°C.

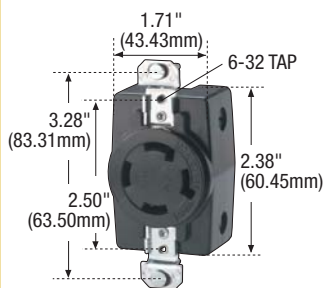


Industrial Specification Grade Hart-Lock® Locking Devices

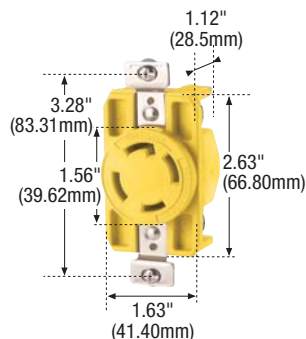
3 Pole, 4 Wire Grounding
NEMA FSL3-30, 30A 120V 3Ø
NEMA L14-30, 30A 125/250V
NEMA L15-30, 30A 250V 3Ø
NEMA L16-30, 30A 480V 3Ø
NEMA L17-30, 30A 600V 3Ø



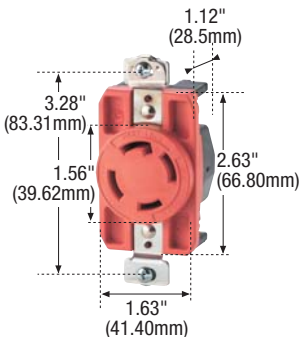
CWL1430R



FSL330R



CRL1430R



IGL1430R

30A 3 Pole, 4 Wire Grounding Industrial Specification Grade Locking Receptacles

FEATURES

- Rugged fiberglass reinforced nylon body.
- Clearly marked rating, NEMA configuration and approval listings on receptacle face.
- One piece brass contacts offer superior performance and minimum heat rise.
- Back wire terminal clamps for easy secure wiring.
- Combination head screws standard - slot/Phillips in the U.S.
- Add -C to catalog number for Canadian screws - slot/Robertson head combination.
- Safety ground clip provided for fast installation.

Industrial Specification Grade Single Receptacles - Back and Side Wire

Rating		NEMA	Description	Color	Catalog No.
A	V/AC				
30	120V 3Ø 400HZ	FSL3-30	Standard	Black	FSL330R*#
30	125/250	L14-30	Standard	Black	CWL1430R
			Corrosion Resistant	Yellow	CRL1430R
30	250V 3Ø	L15-30	Standard	Black	CWL1530R
			Isolated Ground	Orange	IGL1530R*
30	480V 3Ø	L16-30	Standard	Black	CWL1630R*
			Isolated Ground	Orange	IGL1630R*
30	600V 3Ø	L17-30	Standard	Black	CWL1730R*

*Not Federal spec. listed
 #UL (file no. 2258), CSA (file no. LR16215)

NOTE: Weather Protective Covers from Cooper Wiring Devices that may be used with these products are described on page E-71 in this section.



FSL3R



L14-30R



L15-30R



L16-30R



L17-30R

Industrial Specification Grade Hart-Lock® Locking Devices

3 Pole, 4 Wire Grounding
NEMA FSL3-30, 30A 120V 3Ø
NEMA L14-30, 30A 125/250V
NEMA L15-30, 30A 250V 3Ø
NEMA L16-30, 30A 480V 3Ø
NEMA L17-30, 30A 600V 3Ø



INDUSTRIAL
COMMERCIAL

E-22
LOCKING
DEVICES

30A 3 Pole, 4 Wire Grounding Industrial Specification Grade Plugs and Connectors

FEATURES

- Nylon construction.
- Back wire Dead-Front design.
- Neoprene gasket seals cord hole from dust and debris.
- Inserts included for three separate cord grip ranges.
- Back wire terminal clamps for easy secure wiring.
- Individual wiring compartments with tapered channel for easy insertion of wires.
- Clear cover over wiring compartments allow easy inspection of wiring terminations.
- Combination head screws standard - slot/Phillips in the U.S.
- Add -C to catalog number for Canadian screws - slot/Robertson head combination.



CRL1430C



FSL330P



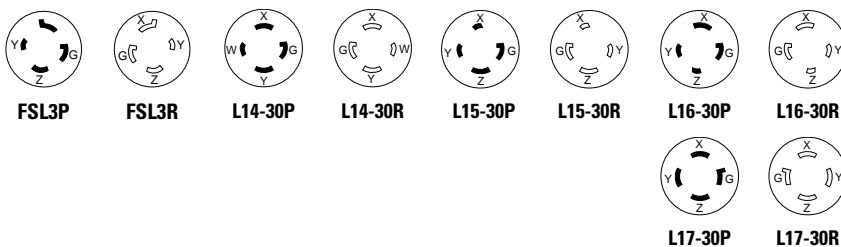
CWL1730P

Industrial Specification Grade Locking Plugs and Connectors

Rating A	V/AC	NEMA	Description/ Cord Diameter	Color	Catalog No.	
					Plug	Connector
30	120V 3Ø 400Hz	FSL3-30	Standard: 0.347"-1.15" (11.9mm-29.5mm)	Black & White	FSL330P*	FSL330C*
30	125/250	L14-30	Standard: 0.63"-1.16" (15.9mm-29.4mm)	Black & White	CWL1430P	CWL1430C
			Standard: 0.63"-1.16" (15.9mm-29.4mm)	Black	6512BK	6514BK
			Corrosion Resistant: 0.63"-1.16" (15.9mm-29.4mm)	Yellow	CRL1430P	CRL1430C
30	250V 3Ø	L15-30	Standard: 0.63"-1.16" (15.9mm-29.4mm)	Black & White	CWL1530P	CWL1530C
			Corrosion Resistant: 0.63"-1.16" (15.9mm-29.4mm)	Yellow	CRL1530P	CRL1530C
			Standard: 0.63"-1.16" (15.9mm-29.4mm)	Black & White	CWL1630P	CWL1630C
30	480V 3Ø	L16-30	Standard: 0.63"-1.16" (15.9mm-29.4mm)	Black & White	CWL1630P	CWL1630C
			Corrosion Resistant: 0.63"-1.16" (15.9mm-29.4mm)	Yellow	CRL1630P	—
30	600V 3Ø	L17-30	Standard: 0.63"-1.16" (15.9mm-29.4mm)	Black & White	CWL1730P	CWL1730C

*UL (file no. E1381), CSA (file no. LR16215)

NOTE: Weather Protective Boots from Cooper Wiring Devices that may be used with these products are described on page E-72 in this section.



TESTING & CODE COMPLIANCE

- Listed to UL 498 (file no. E3663), except as noted.
- cUL Certified to CSA C22.2 no. 42 (file no. E3663) except as noted.

MATERIAL CHARACTERISTICS

Nylon.
Temperature Rating:
Receptacles:
-40°C to 75°C,
except FSL330P
& FSL330C:
-20°C to 60°C.



Industrial Specification Grade Hart-Lock® Locking Devices

3 Pole, 4 Wire Grounding
NEMA L14-30, 30A 125/250V
NEMA L15-30, 30A 250V 3Ø
NEMA L16-30, 30A 480V 3Ø
NEMA L17-30, 30A 600V 3Ø

30A 3 Pole, 4 Wire Industrial Specification Grade Flanged Inlet and Outlet

FEATURES

- All nylon construction.
- Mounting holes interchangeable with competitive units.
- Back wire terminal clamps for easy secure wiring.
- Individual wiring compartments with tapered channel for easy insertion of wires.
- Combination head screws standard – slot/Phillips in the US.
- Add -C to catalog number for Canadian screws – slot/Robertson head combination.



CWL1430FI



CWL1530FI



CWL1730FI

Industrial Specification Grade Flanged Inlets and Outlets

Rating A	V/AC	NEMA	Color	Catalog No.	
				Inlet	Outlet
30	125/250	L14-30	Black & White	CWL1430FI	CWL1430FO
30	250V 3Ø	L15-30	Black & White	CWL1530FI	CWL1530FO
30	480V 3Ø	L16-30	Black & White	CWL1630FI	CWL1630FO
30	600V 3Ø	L17-30	Black & White	CWL1730FI	CWL1730FO

NOTE: Weather Protective Covers and Enclosures from Cooper Wiring Devices that may be used with these products are described on pages E-71, E-73 and E-74 in this section.

INDUSTRIAL
COMMERCIAL

E-23
LOCKING
DEVICES

TESTING & CODE COMPLIANCE

- Listed to UL 498 Flanged Inlets: (file no. E3663); Flanged Outlets (file no. E2369).
- cUL Certified to CSA C22.2 no.42 (file no. E3663 and E2369).

MATERIAL CHARACTERISTICS

Nylon.
 Environmental flammability per UL 94 requirements, V2 rated.
 Temperature Rating: -40°C to 80°C.



Industrial Specification Grade Hart-Lock® Locking Devices

**4 Pole, 4 Wire Non-Grounding
Non-NEMA, 20A 120/208V 3ØY
NEMA L18-20, 20A 120/208V 3ØY
NEMA L19-20, 20A 277/480V 3ØY
NEMA L20-20, 20A 347/600V 3ØY**



20A 4 Pole, 4 Wire Non-Grounding Industrial Specification Grade Locking Receptacles

FEATURES

- Clearly marked rating, NEMA configuration and approval listings on receptacle face.
- One piece brass contacts offer superior performance and minimum heat rise.
- Back wire terminal clamps for easy secure wiring.
- Combination head screws standard - slot/Phillips in the U.S.
- Add -C to catalog number for Canadian screws - slot/Robertson head combination.
- Safety ground clip provided for fast installation.

Industrial Specification Grade Single Receptacles - Back and Side Wire

Rating A	V/AC	NEMA	Description	Color	Catalog No.
20	120/208V 3ØY	L18-20	Single	Black	CWL1820R
20	120/208V 3ØY	Non-NEMA	Single	Black	7410B
20	277/480V 3ØY	L19-20	Single	Black	CWL1920R
20	347/600V 3ØY	L20-20	Single	Black	CWL2020R



CWL1820R



CWL1920P



CWL1920C



CWL2020P

20A 4 Pole, 4 Wire Non-Grounding Industrial Specification Grade Plugs and Connectors

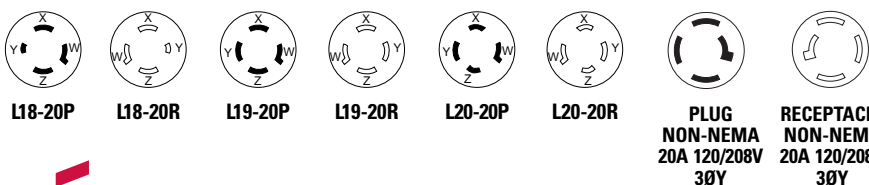
FEATURES

- Nylon construction.
- Back wire Dead-Front design.
- Neoprene gasket seals cord hole from dust and debris.
- Inserts included for three separate cord grip ranges.
- Back wire terminal clamps for easy secure wiring.
- Individual wiring compartments with tapered channel for easy insertion of wires.
- Clear cover over wiring compartments allow easy inspection of wiring terminations.
- Combination head screws standard - slot/Phillips in the U.S.
- Add -C to catalog number for Canadian screws - slot/Robertson head combination.

Industrial Specification Grade Locking Plugs and Connectors

Rating A	V/AC	NEMA	Cord Diameter	Color	Plug	Connector
20	120/208V 3ØY	L18-20	0.63"- 1.16" (15.9mm-29.4mm)	Black & White	CWL1820P	CWL1820C
20	120/208V 3ØY	Non-NEMA	0.63"- 1.16" (15.9mm-29.4mm)	Black & White	7411C	7413C
20	277/480V 3ØY	L19-20	0.63"- 1.16" (15.9mm-29.4mm)	Black & White	CWL1920P	CWL1920C
20	347/600V 3ØY	L20-20	0.63"- 1.16" (15.9mm-29.4mm)	Black & White	CWL2020P	CWL2020C

NOTE: Weather Protective Covers and Boots from Cooper Wiring Devices that may be used with these products are described on pages E-71 and E-72 in this section.



INDUSTRIAL
COMMERCIAL

E-24
LOCKING
DEVICES

TESTING & CODE COMPLIANCE

· Listed to UL 498, Plugs, Connectors: (file no. E3663).
Receptacles: (file no. E2369).
CWL1820R
UL Listed to Federal Spec. WC-596.

MATERIAL CHARACTERISTICS

Receptacles: Glass filled Nylon.
Plugs & Connectors: Nylon.
Environmental: Flammability per UL 94 requirements, Receptacles V0 rated.
Temperature Rating: Receptacles: -40°C to 105°C; Plugs & Connectors: -40°C to 75°C.



INDUSTRIAL
COMMERCIAL

E-25 LOCKING DEVICES

TESTING & CODE COMPLIANCE

Listed to UL 498
Flanged Inlets:
(file no. E3663);
Flanged Outlets
(file no. E2369).

MATERIAL CHARACTERISTICS

Nylon.
Environmental
flammability
per UL 94
requirements,
V2 rated.
Temperature Rating:
-40°C to 80°C.



Industrial Specification Grade Hart-Lock® Locking Devices

4 Pole, 4 Wire Non-Grounding
Non-NEMA, 20A 120/208V 3ØY
NEMA L18-20, 20A 120/208V 3ØY
NEMA L19-20, 20A 277/480V 3ØY
NEMA L20-20, 20A 347/600V 3ØY

20A 4 Pole, 4 Wire Industrial Specification Grade Flanged Inlet and Outlet



CWL1920FI



CWL1820FI



CWL1920FO

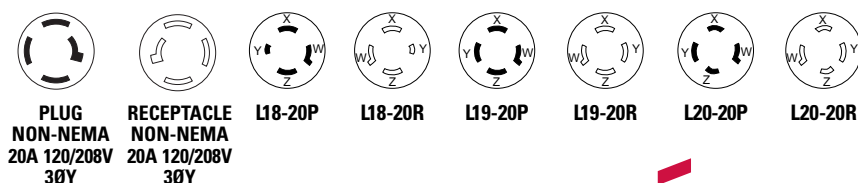
FEATURES

- All nylon construction.
- Mounting holes interchangeable with competitive units.
- Back wire terminal clamps for easy secure wiring.
- Individual wiring compartments with tapered channel for easy insertion of wires.
- Combination head screws standard - slot/Phillips in the U.S.
- Add -C to catalog number for Canadian screws - slot/Robertson head combination.

Industrial Specification Grade Flanged Inlets and Outlets

Rating A	V/AC	NEMA	Color	Catalog No.	
				Inlet	Outlet
20	120/208V 3ØY	L18-20	Black & White	CWL1820FI	CWL1820FO
20	120/208V 3ØY	Non-NEMA	Black & White	7408N	7409N
20	277/480V 3ØY	L19-20	Black & White	CWL1920FI	CWL1920FO
20	347/600V 3ØY	L20-20	Black & White	CWL2020FI	CWL2020FO

NOTE: Weather Protective Covers and Enclosures from Cooper Wiring Devices that may be used with products on pages E-25 and E-26 are described on pages E-71 - E-74 in this section.



Industrial Specification Grade Hart-Lock® Locking Devices

4 Pole, 4 Wire Non-Grounding
Non-NEMA, 30A 120/208V 3ØY
NEMA L18-30, 30A 120/208V 3ØY
NEMA L19-30, 30A 277/480V 3ØY
NEMA L20-30, 30A 347/600V 3ØY



INDUSTRIAL
COMMERCIAL

E-26 LOCKING DEVICES

TESTING & CODE COMPLIANCE

· Listed to UL 498
Plugs & Connectors:
(file no. E3663).
Receptacles:
(file no. E2369)

MATERIAL CHARACTERISTICS

Receptacles:
Glass filled Nylon.
Plugs, Connectors:
Nylon.
Environmental:
Flammability
per UL 94
requirements
Receptacles V0 rated.
Temperature Rating:
Receptacles:
-40°C to 105°C;
Plugs, Connectors:
-40°C to 75°C.

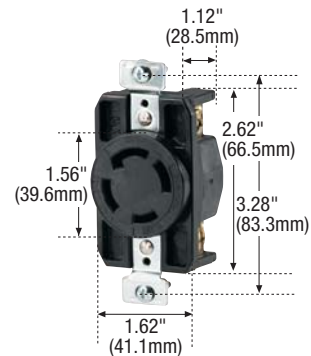
30A 4 Pole, 4 Wire Non-Grounding Industrial Specification Grade Locking Receptacles

FEATURES

- Rugged fiberglass reinforced nylon body.
- Clearly marked rating, NEMA configuration and approval listings on receptacle face.
- One piece brass contacts offer superior performance and minimum heat rise.
- Back wire terminal clamps for easy secure wiring.
- Combination head screws standard – slot/Phillips in the U.S.
- Add -C to catalog number for Canadian screws – slot/Robertson head combination.
- Safety ground clip provided for fast installation.

Industrial Specification Grade Single Receptacles – Back and Side Wire

Rating		NEMA	Description	Color	Catalog No.
A	V/AC				
30	120/208V 3ØY	L18-30	Single	Black	CWL1830R
30	120/208V 3ØY	Non-NEMA	Single	Black	3430
30	277/480V 3ØY	L19-30	Single	Black	CWL1930R
30	347/600V 3ØY	L20-30	Single	Black	CWL2030R



CWL1830R

30A 4 Pole, 4 Wire Grounding Industrial Specification Grade Plugs and Connectors

FEATURES

- Nylon construction.
- Back wire Dead-Front design.
- Neoprene gasket seals cord hole from dust and debris.
- Inserts included for three separate cord grip ranges.
- Back wire terminal clamps for easy secure wiring.
- Individual wiring compartments with tapered channel for easy insertion of wires.
- Clear cover over wiring compartments allow easy inspection of wiring terminations.
- Combination head screws standard – slot/Phillips in the U.S.
- Add -C to catalog number for Canadian screws – slot/Robertson head combination.

Industrial Specification Grade Locking Plugs and Connectors

Rating		NEMA	Cord Diameter	Color	Catalog No.	
A	V/AC				Plug	Connector
30	120/208V 3ØY	L18-30	0.63"- 1.16" (15.9mm-29.4mm)	Black & White	CWL1830P	CWL1830C
30	120/208V 3ØY	Non-NEMA	0.63"- 1.16" (15.9mm-29.4mm)	Black & White	3431N	3433N
30	277/480V 3ØY	L19-30	0.63"- 1.16" (15.9mm-29.4mm)	Black & White	CWL1930P	CWL1930C
30	347/600V 3ØY	L20-30	0.63"- 1.16" (15.9mm-29.4mm)	Black & White	CWL2030P	CWL2030C



CWL1930C



L18-30P



L18-30R



L19-30P



L19-30R



L20-30P



L20-30R



PLUG
NON-NEMA
20A 120/208V
3ØY



RECEPTACLE
NON-NEMA
20A 120/208V
3ØY



Industrial Specification Grade Hart-Lock® Locking Devices

4 Pole, 4 Wire Non-Grounding
Non-NEMA, 30A 120/208V 3ØY
NEMA L18-30, 30A 120/208V 3ØY
NEMA L19-30, 30A 277/480V 3ØY
NEMA L20-30, 30A 347/600V 3ØY

INDUSTRIAL
COMMERCIAL

E-27
LOCKING
DEVICES



CWL1930FO



CWL1830FI

30A 4 Pole, 4 Wire Industrial Specification Grade Flanged Inlet and Outlet

FEATURES

- All nylon construction.
- Mounting holes interchangeable with competitive units.
- Back wire terminal clamps for easy secure wiring.
- Individual wiring compartments with tapered channel for easy insertion of wires.
- Combination head screws standard – slot/Phillips in the U.S.
- Add -C to catalog number for Canadian screws – slot/Robertson head combination.

Industrial Specification Grade Flanged Inlets and Outlets

Rating A	V/AC	NEMA	Color	Catalog No.	
				Inlet	Outlet
30	120/208V 3ØY	L18-30	Black & White	CWL1830FI	CWL1830FO
30	120/208V 3ØY	Non-NEMA	Black & White	3434N	3436N
30	277/480V 3ØY	L19-30	Black & White	CWL1930FI	CWL1930FO
30	347/600V 3ØY	L20-30	Black & White	CWL2030FI	CWL2030FO

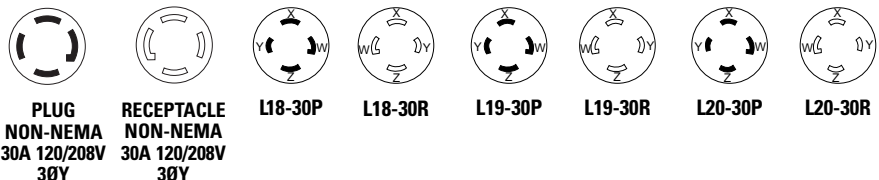
NOTE: Weather Protective Covers and Enclosures from Cooper Wiring Devices that may be used with these products are described on pages E-71, E-73 and E-74 in this section.

TESTING & CODE COMPLIANCE

· Listed to UL 498,
Flanged Inlet:
(file no. E3663);
Flanged Outlets:
(file no. E2369).

MATERIAL CHARACTERISTICS

Nylon.
Environmental:
Flammability
per UL 94
requirements.
V2 rated.
Temperature Rating:
-40°C to 80°C.



Industrial Specification Grade Hart-Lock® Locking Devices

4 Pole, 5 Wire Grounding
 Non-NEMA, 20A 120/208V 3ØY 400HZ
 NEMA L21-20, 20A 120/208V 3ØY
 NEMA L22-20, 20A 277/480V 3ØY
 NEMA L23-20, 20A 347/600V 3ØY



INDUSTRIAL COMMERCIAL

E-28 LOCKING DEVICES

20A 4 Pole, 5 Wire Grounding Industrial Specification Grade Locking Receptacles

FEATURES

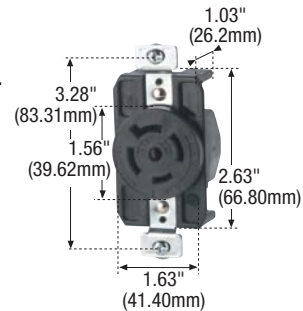
- Rugged fiberglass reinforced nylon body.
- Clearly marked rating, NEMA configuration and approval listings on receptacle face.
- One piece brass contacts offer superior performance and minimum heat rise.
- Back wire terminal clamps secure wiring.
- Combination head screws standard - slot/Phillips in the U.S.
- Add -C to catalog number for Canadian screws - slot/Robertson head combination.
- Safety ground clip provided for fast installation.

Industrial Specification Grade Single Receptacles - Back and Side Wire

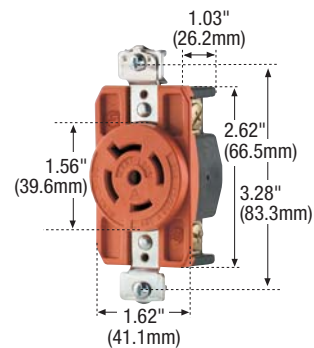
Rating		NEMA	Description	Color	Catalog No.
A	V/AC				
20	120/208V 3ØY	L21-20	Standard	Black	CWL2120R
			Isolated Ground	Orange	IGL2120R
20	120/208V 3ØY 400Hz	Non-NEMA	Standard	Black	6110*
			Standard	Black	CWL2220R
20	277/480V 3ØY	L22-20	Standard	Black	CWL2220R
			Isolated Ground	Orange	IGL2220R
20	347/600V 3ØY	L23-20	Standard	Black	CWL2320R
			Isolated Ground	Orange	IGL2320R

*UL (file no. E2258), CSA (file no. LR16215)

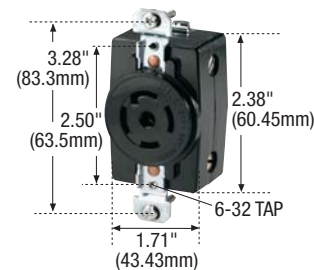
NOTE: Weather Protective Covers from Cooper Wiring Devices that may be used with these products are described on pages E-71 in this section.



CWL2120R



IGL2120R



6110

TESTING & CODE COMPLIANCE

- Listed to UL 498, (file no. E2369).
- CWL2120R:
 UL Listed to Federal Spec. WC-596.
- CSA Certified to C22.2 no. 42 (file no. LR7087) except as noted.

MATERIAL CHARACTERISTICS

Receptacles:
 Glass filled Nylon except 6110: Urea.
 Environmental:
 Flammability per UL 94 requirements,
 Receptacles V0 rated except 6110.
 Temperature Rating:
 Receptacles:
 -40°C to 105°C except 6110:
 -40°C to 60°C.



RECEPTACLE NON-NEMA 20A 120/208V 3ØY 400 Hz

L21-20R

L22-20R

L23-20R



Industrial Specification Grade Hart-Lock® Locking Devices

4 Pole, 5 Wire Grounding
 Non-NEMA, 20A 120/208V 3ØY 400Hz
 Non-NEMA 20/10A 250/600V
 NEMA L21-20, 20A 120/208V 3ØY
 NEMA L22-20, 20A 277/480V 3ØY
 NEMA L23-20, 20A 347/600V 3ØY



CWL2120C

20A 4 Pole, Wire Grounding Industrial Specification Grade Plugs and Connectors

FEATURES

- Nylon construction.
- Back wire Dead-Front design.
- Neoprene gasket seals cord hole from dust and debris.
- Inserts included for three separate cord grip ranges.
- Back wire terminal clamps for easy secure wiring.
- Individual wiring compartments with tapered channel for easy insertion of wires.
- Clear cover allows easy inspection of wiring terminations.
- Combination head screws standard - slot/Phillips in the U.S.
- Add -C to catalog number for Canadian screws - slot/Robertson head combination.

Industrial Specification Grade Locking Plugs and Connectors

Rating A	V/AC	NEMA	Cord Diameter	Color	Catalog No.	
					Plug	Connector
20	120/208V 3ØY	L21-20	0.63-1.16" (15.9-29.4mm)	Black & White	CWL2120P	CWL2120C
				Black	CWL2120PBK	CWL2120CBK
20	120/208V 3ØY 400Hz	Non-NEMA	0.47-1.15" (11.9-29.2mm)	Black & White	6112*	6114*
20/10	250/600	Non-NEMA	0.63-1.16" (15.9-29.4mm)	Gray	3521	3523
				Black	3521BK	3523BK
20	277/480V 3ØY	L22-20	0.63-1.16" (15.9-29.4mm)	Black & White	CWL2220P	CWL2220C
20	347/600V 3ØY	L23-20	0.63-1.16" (15.9-29.4mm)	Black & White	CWL2320P	CWL2320C

*UL (file no. E1381), CSA (file no. LR16215)

NOTE: Weather Protective Boots from Cooper Wiring Devices that may be used with these products are described on page E-72 in this section.



CWL2120P

INDUSTRIAL COMMERCIAL

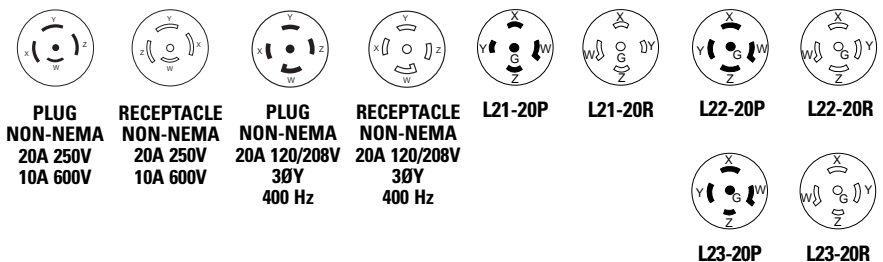
E-29 LOCKING DEVICES

TESTING & CODE COMPLIANCE

- Listed to UL 498, (file no. E3663);
- UL Listed to Federal Spec. WC-596.
- cUL Certified to CSA C22.2 no. 42 (file no. E3663) except as noted.

MATERIAL CHARACTERISTICS

Nylon.
 Temperature Rating:
 -40°C to 75°C
 except 6112, 6114:
 -40°C to 60°C.



Industrial Specification Grade Hart-Lock® Locking Devices

4 Pole, 5 Wire Grounding
 Non-NEMA, 20A 120/208V 3ØY 400Hz
 Non-NEMA 20/10A 250/600V
 NEMA L21-20, 20A 120/208V 3ØY
 NEMA L22-20, 20A 277/480V 3ØY
 NEMA L23-20, 20A 347/600V 3ØY



INDUSTRIAL COMMERCIAL

E-30 LOCKING DEVICES

TESTING & CODE COMPLIANCE

- Listed to UL 498 Flanged Inlets: (file no. E3663);
- Flanged Outlets: Listed to UL 498, (file no. E2369).
- cUL Certified to CSA C22.2 no. 42 (file no. E3663 and E2369) except as noted.

MATERIAL CHARACTERISTICS

Nylon.
 Environmental:
 Flammability per UL 94 requirements.
 V2 rated except 6116, 6118.
 Temperature Rating:
 -40°C to 80°C except 6116, 6118:
 -40°C to 60°C.

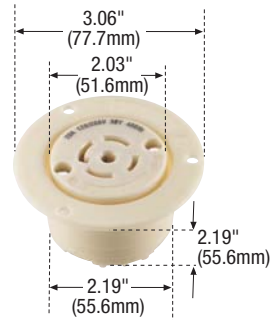
20A 4 Pole, 5 Wire Industrial Specification Grade Flanged Inlet and Outlet

FEATURES

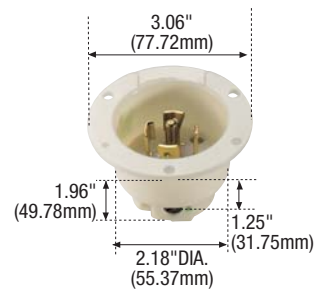
- All nylon construction.
- Mounting holes interchangeable with competitive units.
- Back wire terminal clamps for easy secure wiring.
- Individual wiring compartments with tapered channel for easy insertion of wires.
- Combination head screws standard - slot/Phillips in the U.S.
- Add -C to catalog number for Canadian screws - slot/Robertson head combination.



CWL2120FI



6118



6116

Industrial Specification Grade Flanged Inlets and Outlets

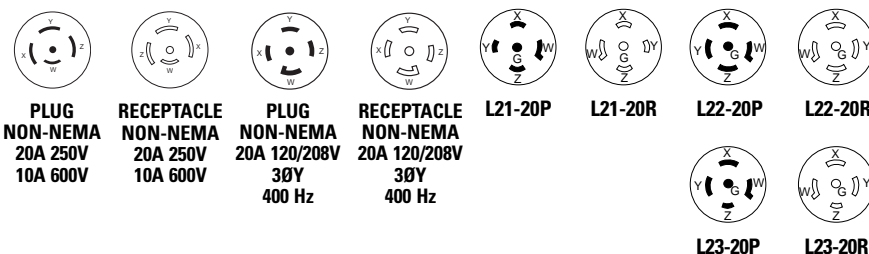
Rating A	V/AC	NEMA	Color	Catalog No.	
				Inlet	Outlet
20	120/208V 3ØY	L21-20	Black & White	CWL2120FI	CWL2120FO
20	120/208V 3ØY 400 HZ	Non-NEMA	White	6116*†	6118*#
20/10	250/600V	Non-NEMA	Gray	3524	3525
			Black	3524BK	3525BK
20	277/480V 3ØY	L22-20	Black & White	CWL2220FI	CWL2220FO
20	347/600V 3ØY	L23-20	Black & White	CWL2320FI	CWL2320FO

†UL (file no. E1381)

#UL (file no. E2258)

*CSA (file no. LR16215)

NOTE: Weather Protective Covers and Enclosures from Cooper Wiring Devices that may be used with these products are described on pages E-71, E-73 and E-74 in this section.





Industrial Specification Grade Hart-Lock® Locking Devices

4 Pole, 5 Wire Grounding
 NEMA L21-30, 30A 120/208V 3ØY
 NEMA FSL4-30, 30A 120/208V 3ØY 400Hz
 NEMA L22-30, 30A 277/480V 3ØY
 NEMA L23-30, 30A 347/600V 3ØY

INDUSTRIAL COMMERCIAL

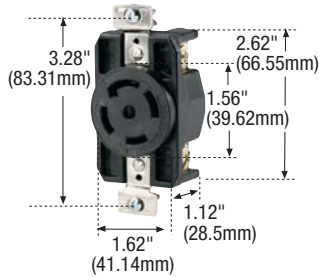
E-31 LOCKING DEVICES

TESTING & CODE COMPLIANCE

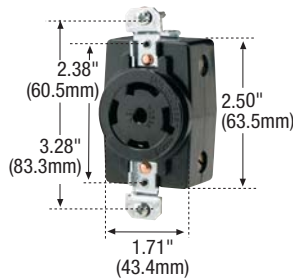
· Listed to UL 498 (file no. E2369) except Flanged Inlets: (file no. E3663).
 CWL2130R
 UL Listed to Federal Spec. WC-596.
 Receptacles:
 · CSA Certified to C22.2 no. 42 (file no. LR7087)
 Inlets and Outlets:
 cUL Certified to CSA C22.2 no. 42, Inlets (file no. E3663), Outlets (file no. E2369).

MATERIAL CHARACTERISTICS

Glass filled Nylon
 Environmental:
 Flammability per UL 94 requirements.
 VO rated except FSL430R,
 Inlets/Outlets:
 V2 rated.
 Temperature Rating:
 -40°C to 105°C except FSL430R:
 -40°C to 60°C.
 Inlets/Outlets:
 -40°C to 80°C.



CWL2130R



FSL430R



CWL2130FI



CWL2330FO

30A 4 Pole, 5 Wire Non-Grounding Industrial Specification Grade Locking Receptacles

FEATURES

- Rugged fiberglass reinforced nylon body.
- Clearly marked rating, NEMA configuration and approval listings on receptacle face.
- One piece brass contacts offer superior performance and minimum heat rise.
- Back wire terminal clamps for secure wiring.
- Combination head screws standard - slot/Phillips in the U.S.
- Add -C to catalog number for Canadian screws - slot/Robertson head combination.
- Safety ground clip provided for fast installation.

Industrial Specification Grade Single Receptacles - Back and Side Wire

Rating	A	V/AC	NEMA	Description	Color	Catalog No.
30	120/208V	3ØY	L21-30	Standard	Black	CWL2130R
				Isolated Ground	Orange	IGL2130R
30	120/208V	3ØY 400HZ	FSL4-30	Standard	Black	FSL430R*
				Isolated Ground	Orange	IGL2230R
30	277/480V	3ØY	L22-30	Standard	Black	CWL2230R
				Isolated Ground	Orange	IGL2230R
30	347/600V	3ØY	L23-30	Standard	Black	CWL2330R
				Isolated Ground	Orange	IGL2330R

*UL (file no. 2558), CSA (file no. LR16215), Urea.

30A 4 Pole, 5 Wire Industrial Specification Grade Flanged Inlet and Outlet

FEATURES

- All nylon construction.
- Mounting holes interchangeable with competitive units.
- Back wire terminal clamps for easy secure wiring.
- Individual wiring compartments with tapered channel for easy insertion of wires.
- Combination head screws standard - slot/Phillips in the U.S.
- Add -C to catalog number for Canadian screws - slot/Robertson head combination.

Industrial Specification Grade Flanged Inlets and Outlets

Rating	A	V/AC	NEMA	Color	Catalog No.	
					Inlet	Outlet
30	120/208V	3ØY	L21-30	Black & White	CWL2130FI	CWL2130FO
30	277/480V	3ØY	L22-30	Black & White	CWL2230FI	CWL2230FO
30	347/600V	3ØY	L23-30	Black & White	CWL2330FI	CWL2330FO

NOTE: Weather Protective Covers and Enclosures from Cooper Wiring Devices that may be used with these products are described on pages E-71, E-73 and E-74 in this section.



Industrial Specification Grade Hart-Lock® Locking Devices

4 Pole, 5 Wire Grounding
 NEMA L21-30, 30A 120/208V 3ØY
 NEMA FSL4-30, 30A 120/208V 3ØY 400Hz
 NEMA L22-30, 30A 277/480V 3ØY
 NEMA L23-30, 30A 347/600V 3ØY



INDUSTRIAL COMMERCIAL

E-32 LOCKING DEVICES

TESTING & CODE COMPLIANCE

· Listed to UL 498 (file no. E3663) except FSL430P, FSL430C (file no. E1381).
 cUL Certified to CSA C22.2 no. 42 (file no. E3663) except FSL430P and FSL430C:
 CSA Certified to C22.2 no. 42 (file no. LR16215).

MATERIAL CHARACTERISTICS

Nylon.
 Temperature Rating:
 -40°C to 75°C
 except FSL430P, FSL430C:
 -40°C to 60°C.

30A 4 Pole, 5 Wire Grounding Industrial Specification Grade Plugs and Connectors

FEATURES

- Nylon construction.
- Back wire Dead-Front design.
- Neoprene gasket seals cord hole from dust and debris.
- Inserts included for three separate cord grip ranges.
- Back wire terminal clamps for secure wiring.
- Individual wiring compartments with tapered channel for easy insertion of wires.
- Clear cover allows easy inspection of wiring terminations.
- Combination head screws standard - slot/Phillips in the U.S.
- Add -C to catalog number for Canadian screws - slot/Robertson head combination.

Industrial Specification Grade Locking Plugs and Connectors

Rating A	V/AC	NEMA	Cord Diameter	Color	Catalog No.	
					Plug	Connector
30	120/208V 3ØY	L21-30	0.63"-1.16" (15.9mm-29.4mm)	Black & White	CWL2130P	CWL2130C
			0.63"-1.16" (15.9mm-29.4mm)	Black	6612BK	6614BK
30	120/208V 3ØY 400Hz	FSL4-30	0.47"-1.15" (11.9mm-29.2mm)	Black & White	FSL430P	FSL430C
30	277/480V 3ØY	L22-30	0.63"-1.16" (15.9mm-29.4mm)	Black & White	CWL2230P	CWL2230C
30	347/600V 3ØY	L23-30	0.63"-1.16" (15.9mm-29.4mm)	Black & White	CWL2330P	CWL2330C

NOTE: Weather Protective Boots from Cooper Wiring Devices that may be used with these products are described on page E-72 in this section.





Commercial Specification Grade Locking Devices

2 Pole, 2 Wire Non-Grounding
 2 Pole, 3 Wire Grounding
 NEMA L1-15, 15A 125V
 NEMA L5-15, 15A 125V
 NEMA L6-15, 15A 250V
 NEMA L7-15, 15A 277V

15A 2 Pole 3 Wire Commercial Specification Grade Locking Plugs and Connectors

FEATURES

- Abuse resistant thermoplastic construction.
- Back wire Dead-Front design.
- Thermoplastic plugs have external cable clamp which provides firm strain relief.
- Nylon plugs have internal Autogrip® style strain relief for fast wiring.
- Back wire terminal clamps for easy secure wiring.
- Individual wiring compartments with tapered channel for easy insertion of wires.
- Clear cover over wiring compartments allow easy inspection of wiring terminations.
- Clearly marked rating, NEMA configuration and standard compliances on face of plug or connector.
- Nylon Plugs and connectors have slot/Phillips combination head screws.



4579



L115P



4720



4570

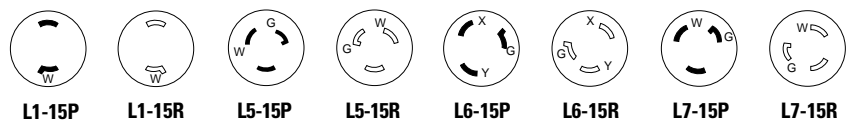
Commercial Specification Grade Thermoplastic Locking Plugs and Connectors

Rating A	V/AC	NEMA	Description/ Cord Diameter	Color	Catalog No.	
					Plug	Connector
15	125	L1-15	Commercial Grade: 0.25"-0.69" (6.4mm-17.5mm)	Black & White	L115P	—
15	125	L5-15	Straight: 0.25"-0.69" (6.4mm-17.5mm)	Black & White	4720	4729
			Angle: 0.25"-0.69" (6.4mm-17.5mm)	Black & White	4720AN	—
15	250	L6-15	Straight: 0.25"-0.69" (6.4mm-17.5mm)	Black & White	4570	4579
			Angle: 0.25"-0.69" (6.4mm-17.5mm)	Black & White	4570AN	—
15	277	L7-15	Straight: 0.25"-0.69" (6.4mm-17.5mm)	Black & White	4770	4779

Commercial Specification Grade Nylon Locking Plugs and Connectors

Rating A	V/AC	NEMA	Description/ Cord Diameter	Color	Catalog No.	
					Plug	Connector
15	125	L5-15	Straight: 0.250"-0.656" (6.4mm-16.7mm)	Yellow	3473-3	3493-3
15	250	L6-15	Straight: 0.250"-0.656" (6.4mm-17.5mm)	Yellow	3474-3	3494-3
15	277	L7-15	Straight: 0.250"-0.656" (6.4mm-17.5mm)	Yellow	3475-3	3495-3

NOTE: Weather Protective Boots from Cooper Wiring Devices that may be used with these products are described on page E-72 in this section.



INDUSTRIAL
COMMERCIAL

E-33 LOCKING DEVICES

TESTING & CODE COMPLIANCE

- Listed to UL 498, (file no. E15012) except Nylon Plugs, Connectors, (file no. E3663).
- CSA Certified to C22.2 no. 42 (file no. LR2081 (6221-02)) except Nylon Plugs, Connectors (file no. LR7087).

MATERIAL CHARACTERISTICS

Thermoplastic Plugs & Connectors: Polycarbonate and PVC.
 Nylon Plugs, Connectors: Nylon.
 Environmental: Flammability per UL 94 requirements.
 Thermoplastic Plugs & Connectors V2 rated.
 Temperature Rating: Thermoplastic Plugs, Connectors: -20°C to 60°C.
 Nylon Plugs, Connectors: -40°C to 75°C.

Commercial Specification Grade Locking Devices

2 Pole, 3 Wire Grounding
 NEMA L5-20, 20A 125V
 NEMA L6-20, 20A 250V
 NEMA L7-20, 20A 277V
 NEMA L24-20, 20A 347V
 NEMA L8-20, 20A 480V
 NEMA L9-20, 20A 600V



INDUSTRIAL
 COMMERCIAL

E-34 LOCKING DEVICES

TESTING & CODE COMPLIANCE

- Listed to UL 498 Plugs, Connectors: (file no. E15012) Receptacles: (file no. E15058).
- Receptacles are UL Listed to Federal Spec WC-596.
- CSA Certified. C22.2 no. 42, Receptacles (file no. LR6914 (6233-01)); Plugs, Connectors (file no. LR2081 (6221-02)).
- NOM Certified, except as noted.

MATERIAL CHARACTERISTICS
 Receptacles: Nylon.
 Plugs, Connectors: Polycarbonate & PVC. Meets flammability requirements per UL 94, V2 rated.
 Temperature Rating: Receptacles: -40°C to 70°C; Plugs & Connectors: -20°C to 60°C.

20A 2 Pole, 3 Wire Commercial Specification Grade Receptacles

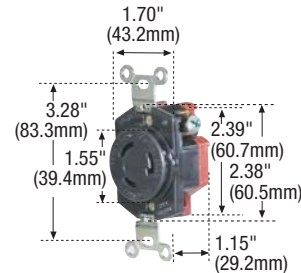
FEATURES

- Rugged nylon face and body.
- Clearly marked rating, NEMA configuration and approval listings on receptacle face.
- One piece brass contacts offer superior performance and minimum heat rise.
- Back wire terminal clamps for easy secure wiring.
- Combination head screws standard - slot/Phillips.

Commercial Specification Grade Receptacles

Rating	A	V/AC	NEMA	Description	Color	Catalog No.
20	125		L5-20	Single	Black	L520R
20	250		L6-20	Single	Black	L620R
20	277		L7-20	Single	Black	L720R*
20	347		L24-20	Single	Black	L2420R*
20	480		L8-20	Single	Black	L820R*
20	600		L9-20	Single	Black	L920R*

*Not NOM



L520R



L620P



L620C



L520C

20A 2 Pole, 3 Wire Commercial Specification Grade Locking Plugs and Connectors

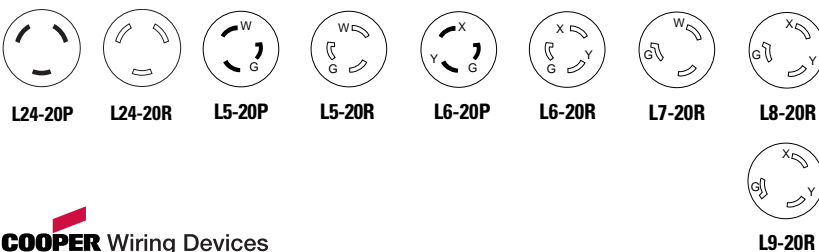
FEATURES

- Abuse resistant thermoplastic construction.
- Back wire Dead-Front design.
- External cable clamp provides firm strain relief.
- Back wire terminal clamps for easy secure wiring.
- Individual wiring compartments with tapered channel for easy insertion of wires.
- Triple combination head screws standard - slot/Phillips/Robertson for use in the U.S. and Canada.
- Clear cover over wiring compartments allow easy inspection of wiring terminations.

Commercial Specification Grade Locking Plugs and Connectors

Rating	A	V/AC	NEMA	Description/ Cord Diameter	Color	Plug	Connector
20	125		L5-20	Straight: 0.25"-0.69" (6.35mm-17.5mm)	Black & White	L520P	L520C
20	250		L6-20	Straight: 0.25"-0.69" (6.35mm-17.5mm)	Black & White	L620P	L620C
20	347		L24-20	Straight: 0.25"-0.69" (6.35mm-17.5mm)	Black & White	L2420P	L2420C

NOTE: Weather Protective Covers from Cooper Wiring Devices that may be used with these products are described on page E-71 in this section.

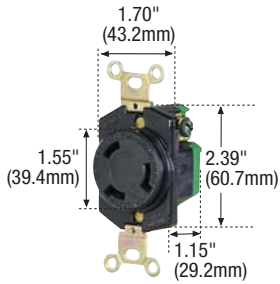




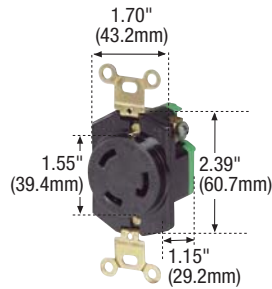
Commercial Specification Grade Locking Devices

2 Pole, 3 Wire Grounding
 NEMA FSL1-30, 30A 28V/DC
 NEMA FSL2-30, 30A 120V
 NEMA L5-30, 30A 125V
 NEMA L6-30, 30A 250V
 NEMA L7-30, 30A 277V
 NEMA L8-30, 30A 480V
 NEMA L9-30, 30A 600V

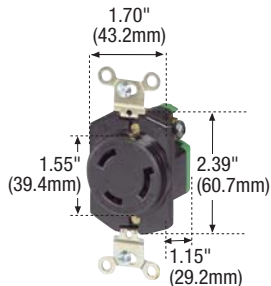
30A 2 Pole, 3 Wire Commercial Specification Grade Receptacles



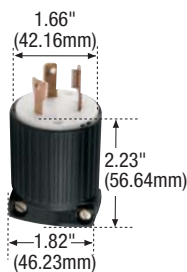
FSL130R



L530R



L930R



L530P



L530C

FEATURES

- Rugged nylon face and body.
- Clearly marked rating, NEMA configuration and approval listings on receptacle face.
- One piece brass contacts offer superior performance and minimum heat rise.
- Back wire terminal clamps for easy secure wiring.
- Combination head screws standard - slot/Phillips.

Commercial Specification Grade Receptacles

Rating	A	V/AC	NEMA	Description	Color	Catalog No.
	30	28V/DC	FSL1-30	Single	Black	FSL130R*
	30	120, 400HZ	FSL2-30	Single	Black	FSL230R*
	30	125	L5-30	Single	Black	L530R
	30	250	L6-30	Single	Black	L630R
	30	277	L7-30	Single	Black	L730R*
	30	480	L8-30	Single	Black	L830R*
	30	600	L9-30	Single	Black	L930R*

*Not NOM

30A 2 Pole, 3 Wire Commercial Grade Locking Plugs and Connectors

FEATURES

- Abuse resistant thermoplastic construction.
- Back wire Dead-Front design.
- External cable clamp provides firm strain relief.
- Back wire terminal clamps for easy secure wiring.
- Individual wiring compartments with tapered channel for easy insertion of wires.
- Triple combination head screws standard - slot/Phillips/Robertson for use in the U.S. and Canada.
- Clear cover over wiring compartments allow easy inspection of wiring terminations.
- Clearly marked rating, NEMA configuration and standard compliances on face of plug or connector.

Commercial Grade Locking Plugs and Connectors

Rating	A	V/AC	NEMA	Description/ Cord Diameter	Color	Plug	Catalog No. Connector
	30	125	L5-30	Straight: 0.25"-0.69" (6.35mm-17.5mm)	Black & White	L530P	L530C*
	30	250	L6-30	Straight: 0.25"-0.69" (6.35mm-17.5mm)	Black & White	L630P	L630C*

*Not Federal Spec.

NOTE: Weather Protective Covers from Cooper Wiring Devices that may be used with these products are described on pages E-71 in this section.



FSL1R



FSL2R



L5-30P



L5-30R



L6-30P



L6-30R



L7-30R



L8-30R



L9-30R

INDUSTRIAL
COMMERCIAL

E-35
LOCKING
DEVICES

TESTING & CODE COMPLIANCE

- Listed to UL 498 Receptacles (file no. E15058) Plugs & Connectors: (file no. E15012).
- UL Listed to Federal Spec. WC-596.
- CSA Certified to C22.2 no. 42. Receptacles: (file no. LR6914 (6233-01)). Plugs & Connectors: (file no. LR2081 (6221-01)).
- NOM Certified, except as noted.

MATERIAL CHARACTERISTICS

- Receptacles: Nylon.
- Plugs, Connectors: Polycarbonate.
- Meets flammability requirements per UL 94. V2 rated.
- Temperature Rating: Receptacles: -40°C to 70°C. Plugs & Connectors: -20°C to 60°C.

Commercial Specification Grade Locking Devices

3 Pole, 3 Wire Non-Grounding
NEMA L10-20, 20A 125/250V
NEMA L11-20, 20A 250V 3Ø
NEMA L12-20, 20A 480V 3Ø



INDUSTRIAL
COMMERCIAL

E-36 LOCKING DEVICES

20A 3 Pole, 3 Wire Commercial Specification Grade Receptacles

FEATURES

- Rugged nylon face and body.
- Clearly marked rating, NEMA configuration and approval listings on receptacle face.
- One piece brass contacts offer superior performance and minimum heat rise.
- Back wire terminal clamps for easy secure wiring.
- Combination head screws standard - slot/Phillips.

Commercial Specification Grade Receptacles

Rating					
A	V/AC	NEMA	Description	Color	Catalog No.
20	125/250	L10-20	Single	Black	L1020R
20	250V 3Ø	L11-20	Single	Black	L1120R
20	480V 3Ø	L12-20	Single	Black	L1220R*

*Not NOM

20A 3 Pole, 3 Wire Commercial Grade Locking Plugs and Connectors

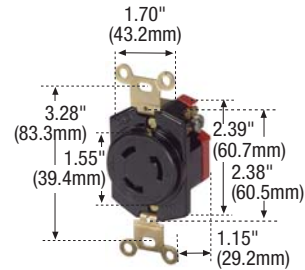
FEATURES

- Abuse resistant thermoplastic construction.
- Back wire Dead-Front design.
- External cable clamp provides firm strain relief.
- Back wire terminal clamps for easy secure wiring.
- Individual wiring compartments with tapered channel for easy insertion of wires.
- Triple combination head screws standard - slot/Phillips/Robertson for use in the U.S. and Canada.
- Clear cover over wiring compartments allow easy inspection of wiring terminations.
- Clearly marked rating, NEMA configuration and standard compliances on face of plug or connector.

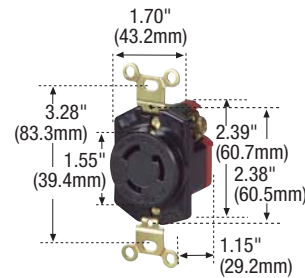
Commercial Grade Locking Plugs and Connectors

Rating			Description/ Cord Diameter	Color	Catalog No.	
A	V/AC	NEMA			Plug	Connector
20	125/250	L10-20	Straight: 0.25"-0.69" (6.35mm-17.5mm)	Black & White	L1020P	L1020C
20	250V 3Ø	L11-20	Straight: 0.25"-0.69" (6.35mm-17.5mm)	Black & White	L1120P	L1120C

NOTE: Weather Protective Covers from Cooper Wiring Devices that may be used with these products are described on pages E-71 in this section.



L1020R



L1120R



L1020P



L1120C

TESTING & CODE COMPLIANCE

- Listed to UL 498 Receptacles: (file no. E15058) Plugs & Connectors: (file no. E15012).
- NOM Certified, except as noted.

MATERIAL CHARACTERISTICS

- Receptacles: Nylon.
- Plugs, Connectors: Polycarbonate & PVC.
- Meets flammability requirements per UL 94. V2 rated.
- Temperature Rating: Receptacles: -40°C to 70°C. Plugs & Connectors: -20°C to 60°C.



INDUSTRIAL
COMMERCIAL

E-37 LOCKING DEVICES

TESTING & CODE COMPLIANCE

- Listed to UL 498 (file no. E15058).
- UL Listed to Federal Spec. WC-596.
- NOM Certified, except as noted.

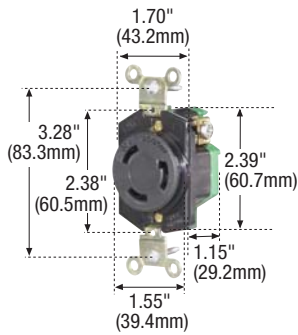
MATERIAL CHARACTERISTICS

Nylon.
Meets flammability requirements per UL 94, V2 rated.
Temperature Rating:
-40°C to 70°C.

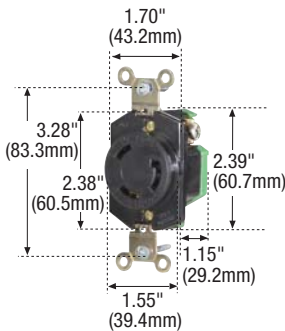


Commercial Specification Grade Locking Devices

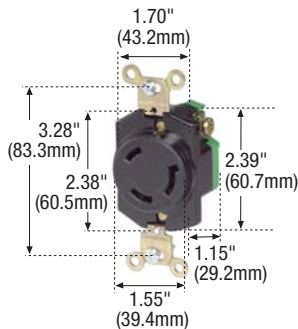
**3 Pole, 3 Wire Non-Grounding
Non-NEMA, 30A 125/250V
NEMA L10-30, 30A 125/250V
NEMA L11-30, 30A 250V 3Ø
NEMA L12-30, 30A 480V 3Ø
NEMA L13-30, 30A 600V 3Ø**



3330



L1030R



L1230R

30A 3 Pole, 3 Wire Commercial Specification Grade Receptacles

FEATURES

- Rugged nylon face and body.
- Clearly marked rating, NEMA configuration and approval listings on receptacle face.
- One piece brass contacts offer superior performance and minimum heat rise.
- Back wire terminal clamps for easy secure wiring.
- Combination head screws standard – slot/Phillips in the U.S.

Commercial Specification Grade Receptacles

Rating					
A	V/AC	NEMA	Description	Color	Catalog No.
30	125/250	Non-NEMA	Single	Black	3330*
30	125/250	L10-30	Single	Black	L1030R
30	250V 3Ø	L11-30	Single	Black	L1130R
30	480V 3Ø	L12-30	Single	Black	L1230R*
30	600V 3Ø	L13-30	Single	Black	L1330R*

*Not NOM

NOTE: Weather Protective Covers from Cooper Wiring Devices that may be used with these products are described on page E-71 in this section.



L10-30R



L11-30R



L12-30R



L13-30R



**RECEPTACLE
NON-NEMA
30A 125/250V**

Commercial Specification Grade Locking Devices

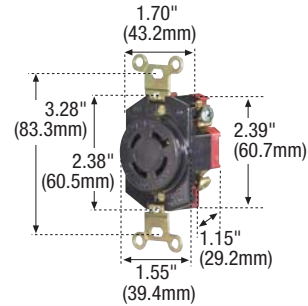
3 Pole, 4 Wire Grounding
NEMA L14-20, 20A 125/250V
NEMA L15-20, 20A 250V 3Ø
NEMA L16-20, 20A 480V 3Ø



20A 3 Pole, 4 Wire Commercial Specification Grade Receptacles

FEATURES

- Rugged nylon face and body.
- Clearly marked rating, NEMA configuration and approval listings on receptacle face.
- One piece brass contacts offer superior performance and minimum heat rise.
- Back wire terminal clamps for easy secure wiring.
- Combination head screws standard - slot/Phillips in the U.S.



L1620R

Commercial Specification Grade Receptacles

Rating	A	V/AC	NEMA	Description	Color	Catalog No.
20		125/250	L14-20	Single	Black	L1420R
20		250V 3Ø	L15-20	Single	Black	L1520R
20		480V 3Ø	L16-20	Single	Black	L1620R*

*Not CSA or NOM

20A 3 Pole, 4 Wire Commercial Specification Grade Locking Plugs and Connectors

FEATURES

- Abuse resistant thermoplastic construction.
- Back wire Dead-Front design.
- External cable clamp provides firm strain relief.
- Back wire terminal clamps for easy secure wiring.
- Individual wiring compartments with tapered channel for easy insertion of wires.
- Triple combination head screws standard - slot/Phillips/Robertson for use in the U.S. and Canada.
- Clear cover over wiring compartments allow easy inspection of wiring terminations.
- Clearly marked rating, NEMA configuration and standard compliances on face of plug or connector.

Commercial Specification Grade Locking Plugs and Connectors

Rating	A	V/AC	NEMA	Description/ Cord Diameter	Color	Plug	Connector
20		125/250	L14-20	Straight: 0.25"-0.69" (6.35mm-17.5mm)	Black & White	L1420P	L1420C
20		250V 3Ø	L15-20	Straight: 0.25"-0.69" (6.35mm-17.5mm)	Black & White	L1520P	L1520C

NOTE: Weather Protective Covers and Boots from Cooper Wiring Devices that may be used with these products are described on pages E-71 and E-72 in this section.



L14-20P

L14-20R

L15-20P

L15-20R

L16-20R



L1420P



L1420C



L1520C

INDUSTRIAL
 COMMERCIAL
 RESIDENTIAL

E-38 LOCKING DEVICES

TESTING & CODE COMPLIANCE

- Listed to UL 498 Receptacles: (file no. E15058). UL verified to Federal Spec. WC-596; Plugs & Connectors: (file no. E15012).
- Certified to CSA C22.2 no.42. Receptacles: (file no. LR6914 (6233-01)). Plugs & Connectors: (file no. LR2081 (6221-02)).
- NOM Certified, except as noted.

MATERIAL CHARACTERISTICS

- Receptacles: Nylon.
- Plugs, Connectors: Polycarbonate & PVC. Meets flammability requirements per UL 94, V2 rated.
- Temperature Rating: Receptacles: -40°C to 70°C Plugs & Connectors: -20°C to 60°C.



INDUSTRIAL
COMMERCIAL

E-39 LOCKING DEVICES

TESTING & CODE COMPLIANCE

- Listed to UL 498 Receptacles: (file no. E15058); UL verified to Federal Spec. WC-596;
- Plugs & Connectors: (file no. E15012).
- CSA Certified to C22.2 no. 42. Receptacles: (file no. LR6914 (6233-01)), Plugs & Connectors: (file no. LR2081 (6221-02)).
- NOM Certified, except as noted.

MATERIAL CHARACTERISTICS

- Receptacles: Nylon.
- Plugs, Connectors: Polycarbonate.
- Meets flammability requirements per UL 94, V2 rated.
- Temperature Rating: Receptacles: -40°C to 70°C. Plugs & Connectors: -20°C to 60°C.



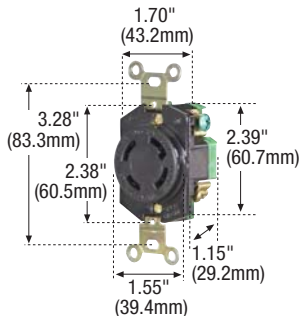
Commercial Specification Grade Locking Devices

3 Pole, 4 Wire Grounding
NEMA L14-30, 30A 125/250V
NEMA L15-30, 30A 250V 3Ø
NEMA L16-30, 30A 480V 3Ø
NEMA L17-30, 30A 600V 3Ø

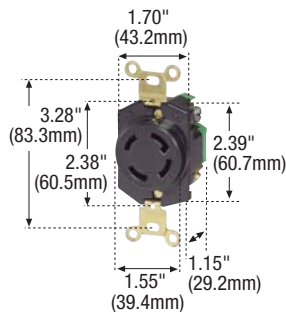
30A 3 Pole, 4 Wire Commercial Specification Grade Receptacles

FEATURES

- Rugged nylon face and body.
- Clearly marked rating, NEMA configuration and approval listings on receptacle face.
- One piece brass contacts offer superior performance and minimum heat rise.
- Back wire terminal clamps for easy secure wiring.
- Combination head screws standard - slot/Phillips in the U.S.



L1430R



L1630R



L1430P

Commercial Specification Grade Receptacles

Rating

A	V/AC	NEMA	Description	Color	Catalog No.
30	125/250	L14-30	Single	Black	L1430R
30	250V 3Ø	L15-30	Single	Black	L1530R
30	480V 3Ø	L16-30	Single	Black	L1630R*
30	600V 3Ø	L17-30	Single	Black	L1730R*

*Not NOM

30A 3 Pole, 4 Wire Commercial Specification Grade Locking Plugs and Connectors

FEATURES

- Abuse resistant thermoplastic construction.
- Back wire Dead-Front design.
- External cable clamp provides firm strain relief.
- Back wire terminal clamps for easy secure wiring.
- Individual wiring compartments with tapered channel for easy insertion of wires.
- Triple combination head screws standard - slot/Phillips/Robertson for use in the U.S. and Canada.
- Clear cover over wiring compartments allow easy inspection of wiring terminations.
- Clearly marked rating, NEMA configuration and standard compliances on face of plug or connector.

Commercial Specification Grade Locking Plugs and Connectors

Rating	A	V/AC	NEMA	Description/ Cord Diameter	Color	Plug	Catalog No. Connector
30	125/250	L14-30	Straight: 0.25"-0.69" (6.35mm-17.5mm)	Black & White	L1430P	L1430C	
30	250V 3Ø	L15-30	Straight: 0.25"-0.69" (6.35mm-17.5mm)	Black & White	L1530P	L1530C	
30	480V 3Ø	L16-30	Straight: 0.25"-0.69" (6.35mm-17.5mm)	Black & White	L1630P	L1630C	

NOTE: Weather Protective Covers from Cooper Wiring Devices that may be used with these products are described on pages E-71 in this section.



Commercial Specification Grade Locking Devices

4 Pole, 4 Wire Non-Grounding
 NEMA L18-20, 20A 120/208V 3ØY
 NEMA L19-20, 20A 277/480V 3ØY
 NEMA L20-20, 20A 347/600V 3ØY
 NEMA L18-30, 30A 120/208V 3ØY
 NEMA L19-30, 30A 277/480V 3ØY
 NEMA L20-30, 30A 347/600V 3ØY



INDUSTRIAL
COMMERCIAL

E-40 LOCKING DEVICES

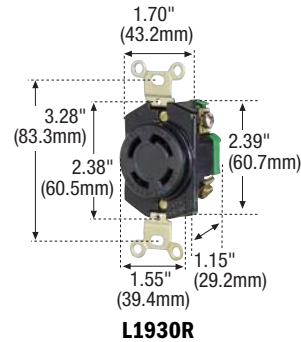
20A 4 Pole, 4 Wire Commercial Specification Grade Receptacles

FEATURES

- Rugged nylon face and body.
- Clearly marked rating, NEMA configuration and approval listings on receptacle face.
- One piece brass contacts offer superior performance and minimum heat rise.
- Back wire terminal clamps for easy secure wiring.
- Combination head screws standard - slot/Phillips.

Commercial Specification Grade Receptacles

Rating					
A	V/AC	NEMA	Description	Color	Catalog No.
20	120/208V 3ØY	L18-20	Single	Black	L1820R
20	277/480V 3ØY	L19-20	Single	Black	L1920R
20	347/600V 3ØY	L20-20	Single	Black	L2020R



L1930R

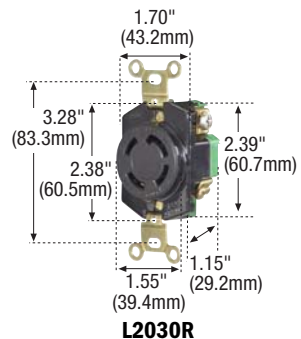
30A 4 Pole, 4 Wire Commercial Specification Grade Receptacles

FEATURES

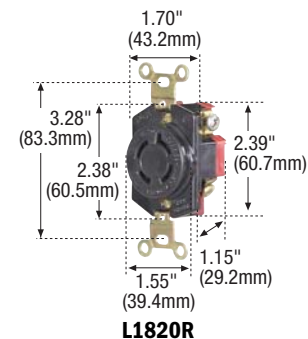
- Rugged nylon face and body.
- Clearly marked rating, NEMA configuration and approval listings on receptacle face.
- One piece brass contacts offer superior performance and minimum heat rise.
- Back wire terminal clamps for easy secure wiring.
- Combination head screws standard - slot/Phillips.

Commercial Specification Grade Receptacles

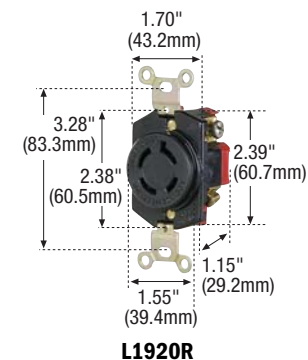
Rating					
A	V/AC	NEMA	Description	Color	Catalog No.
30	120/208V 3ØY	L18-30	Single	Black	L1830R
30	277/480V 3ØY	L19-30	Single	Black	L1930R
30	347/600V 3ØY	L20-30	Single	Black	L2030R



L2030R



L1820R



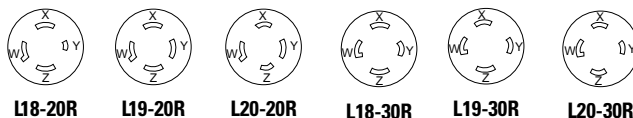
L1920R

TESTING & CODE COMPLIANCE

· Listed to UL 498 (file no. E15058).
 UL Listed to Federal Spec. WC-596.

MATERIAL CHARACTERISTICS

Nylon.
 Meets flammability requirements per UL 94, V2 rated.
 Temperature Rating: -40°C to 70°C.





INDUSTRIAL
COMMERCIAL

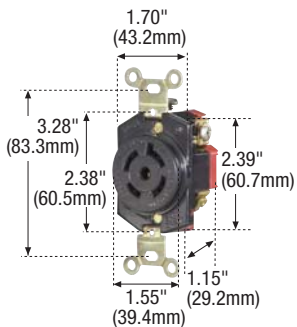
E-41 LOCKING DEVICES

TESTING & CODE COMPLIANCE

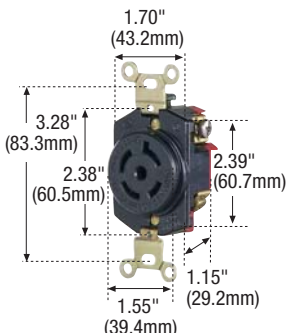
- Listed to UL 498 (file no. E15058). UL verified to Federal Spec. WC-596.
- Meets all CSA requirements, CSA Certified C22.2 no. 42. (file no. LR6914 (6233-01)).
- NOM Certified.

MATERIAL CHARACTERISTICS

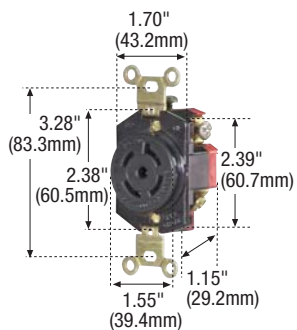
Nylon.
Meets flammability requirements per UL 94, V2 rated.
Temperature Rating: -40°C to 70°C.



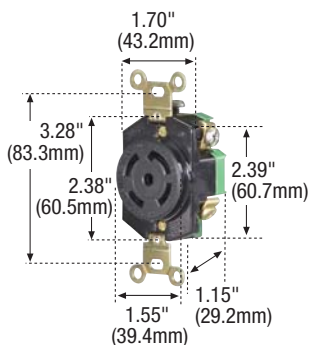
L2120R



L2220R



L2320R



L2130R

Commercial Specification Grade Locking Devices

4 Pole, 5 Wire Grounding
NEMA L21-20/30, 20/30A 120/208V 3ØY
NEMA L22-20/30, 20/30A 277/480V 3ØY
NEMA L23-20/30, 20/30A 347/600V 3ØY

20A 4 Pole, 5 Wire Commercial Specification Grade Receptacles

FEATURES

- Rugged nylon face and body.
- Clearly marked rating, NEMA configuration and approval listings on receptacle face.
- One piece brass contacts offer superior performance and minimum heat rise.
- Back wire terminal clamps for secure wiring.
- Combination head screws standard - slot/Phillips.

Commercial Specification Grade Receptacles

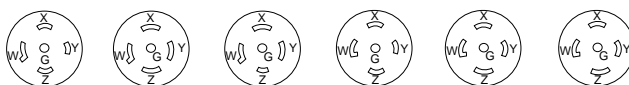
Rating	A	V/AC	NEMA	Description	Color	Catalog No.
20	120/208V 3ØY	L21-20	Single	Black	L2120R	
20	277/480V 3ØY	L22-20	Single	Black	L2220R	
20	347/600V 3ØY	L23-20	Single	Black	L2320R	

30A 4 Pole, 5 Wire Commercial Specification Grade Receptacles

Commercial Specification Grade Receptacles

Rating	A	V/AC	NEMA	Description	Color	Catalog No.
30	120/208V 3ØY	L21-30	Single	Black	L2130R	
30	277/480V 3ØY	L22-30	Single	Black	L2230R	
30	347/600V 3ØY	L23-30	Single	Black	L2330R	

NOTE: Weather Protective Covers from Cooper Wiring Devices that may be used with these products are described on page E-71 in this section.



L21-20R

L22-20R

L23-20R

L21-30R

L22-30R

L23-30R

Industrial Specification Grade Flat Cable Hart-Lock® Locking Devices

4 Pole, 5 Wire Grounding
 NEMA L21-20, 20A 120/208V 3ØY
 NEMA L21-30, 30A 120/208V 3ØY
 Non-NEMA, 20/10A 250V/600V



30A 4 Pole, 5 Wire Industrial Specification Grade Receptacles

FEATURES

- Designed to securely clamp 5 wires and up to #10 flat cables.
- Solves convention, exhibit high traffic area applications.
- Nylon housing suitable for 75°C/167°F continuous use.

Safety Grip™ Flat Cable Plugs and Connectors

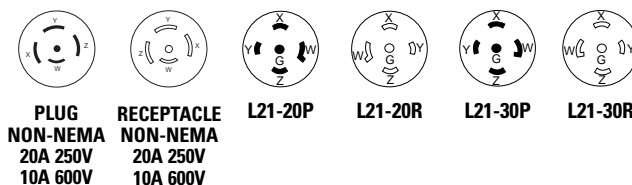
Rating		Catalog No.				
A	V/AC	NEMA	Description	Color	Plug	Connector
20	120/208V 3ØY	L21-20	Flat Cable	Gray	L2120PF	L2120CF
30	120/208V 3ØY	L21-30	Flat Cable	Gray	L2130PF	L2130CF
20/10	250/600	Non-NEMA	Convention Center	Gray	3521F	3523F



L2120PF

INDUSTRIAL
COMMERCIAL

E-42
LOCKING
DEVICES



MATERIAL CHARACTERISTICS

Nylon.
 Temperature Rating:
 -40°C to 75°C.



Industrial Specification Grade Insulated Hart-Lock® Locking Devices

2 Pole, 3 Wire
15, 20, 30A
NEMA L5-15/20/30, 125V
NEMA L6-15/20/30, 250V
NEMA L7-15/20/30, 277V
NEMA L8-20/30, 480V

Insulated Industrial Specification Grade Locking Plugs and Connectors

FEATURES

- Thermoplastic elastomeric exteriors outperform rubber when exposed to moisture, chemicals, oils, and the effects of ultraviolet radiation and ozone attack.
- Connector and plug exteriors can be exchanged to shroud plug blades.
- Available closure cap can be used on plug or connector to protect from abuse, dirt or moisture.
- High visibility safety yellow for identification.
- Contacts, blades and terminal screws nickel plated for corrosion resistance.
- Stainless steel assembly and cord grip screws for corrosion resistance.

INDUSTRIAL
COMMERCIAL

E-43 LOCKING DEVICES



L520PY



L520CY



2447



2547

2 Pole 3 Wire Watertight Industrial Specification Grade Locking Plugs and Connectors

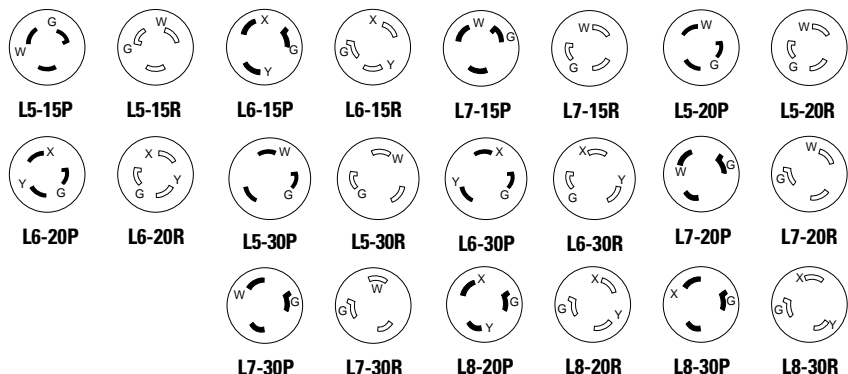
Rating	A	V/AC	NEMA	Wire Gauge	Cord Diameter	Color	Plug	Catalog No. Connector
15	125	L5-15	18-12 AWG	0.375"-1.000" (19.05mm-25.4mm)	Yellow	2447	2547	
15	250	L6-15	18-12 AWG	0.375"-1.000" (19.05mm-25.4mm)	Yellow	2449	2549	
15	277	L7-15	18-12 AWG	0.375"-1.000" (19.05mm-25.4mm)	Yellow	2434	2534	
20	125	L5-20	14-10 AWG	0.375"-1.000" (19.05mm-25.4mm)	Yellow	L520PY	L520CY	
20	250	L6-20	14-10 AWG	0.375"-1.000" (19.05mm-25.4mm)	Yellow	L620PY	L620CY	
20	277	L7-20	14-10 AWG	0.375"-1.000" (19.05mm-25.4mm)	Yellow	L720PY	L720CY	
20	480	L8-20	14-10 AWG	0.375"-1.000" (19.05mm-25.4mm)	Yellow	L820PY	L820CY	
30	125	L5-30	12-8 AWG	0.375"-1.000" (19.05mm-25.4mm)	Yellow	L530PY	L530CY	
30	250	L6-30	12-8 AWG	0.375"-1.000" (19.05mm-25.4mm)	Yellow	L630PY	L630CY	
30	277	L7-30	12-8 AWG	0.375"-1.000" (19.05mm-25.4mm)	Yellow	L730PY	L730CY	
30	480	L8-30	12-8 AWG	0.375"-1.000" (19.05mm-25.4mm)	Yellow	L830PY	L830CY	

TESTING & CODE COMPLIANCE

- Listed to UL 498 (file no. E3663).
- cUL Certified for Canada to CSA C22.2 no. 42 (file no. E3663).

MATERIAL CHARACTERISTICS

Thermoplastic elastomeric (TPE) exterior. Glass filled nylon and glass filled polypropylene interior. Temperature Rating: -40°C to 75°C.



Industrial Specification Grade Insulated Hart-Lock® Locking Devices

3 Pole, 3 Wire
NEMA L10-20, 20A 125/250V
NEMA L11-20, 20A 250V 3Ø
NEMA L10-30, 30A 125/250V
NEMA L11-30, 30A 250V 3Ø
Non-NEMA 30A 125/250V
Non-NEMA 20A 125/250V



INDUSTRIAL
COMMERCIAL

E-44
LOCKING
DEVICES

Insulated Industrial Specification Grade Locking Plugs and Connectors

FEATURES

- Thermoplastic elastomeric exteriors outperform rubber when exposed to moisture, chemicals, oils, and the effects of ultraviolet radiation and ozone attack.
- Connector and plug exteriors can be reversed to shroud plug blades.
- Available closure cap can be used on plug or connector to protect from abuse, dirt or moisture.
- High visibility safety yellow for identification.
- Contacts, blades and terminal screws nickel plated for corrosion resistance.
- Stainless steel assembly and cord grip screws for corrosion resistance.

3 Pole, 3 Wire Insulated Industrial Specification Grade Locking Plugs and Connectors

Rating A	V/AC	NEMA	Wire Gauge	Cord Diameter	Color	Catalog No.	
						Plug	Connector
20	125/ 250	Non- NEMA	14-10 AWG	0.375"-1.000" (19.05mm-25.4mm)	Yellow	9965PY	9965CY*
20	125/ 250	L10-20	14-10 AWG	0.375"-1.000" (19.05mm-25.4mm)	Yellow	L1020PY	L1020CY
20	250V 3Ø	L11-20	14-10 AWG	0.375"-1.000" (19.05mm-25.4mm)	Yellow	L1120PY	L1120CY
30	125/ 250	L10-30	12-8 AWG	0.375"-1.000" (19.05mm-25.4mm)	Yellow	L1030PY	L1030CY
30	125/ 250	Non- NEMA	12-8 AWG	0.375"-1.000" (19.05mm-25.4mm)	Yellow	L3331PY	L3333CY
30	250V 3Ø	L11-30	12-8 AWG	0.375"-1.000" (19.05mm-25.4mm)	Yellow	L1130PY	L1130CY



L1020PY



L1020CY



L1130PY



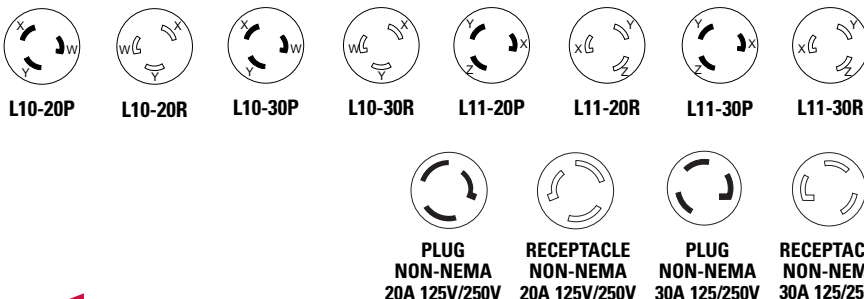
L1130CY

TESTING & CODE COMPLIANCE

· Listed to UL 498
(file no. E3663).

MATERIAL CHARACTERISTICS

Thermoplastic elastomeric (TPE) exterior. Glass filled nylon and glass filled polypropylene interior. Temperature Rating: -40°C to 75°C.





Industrial Specification Grade Insulated Hart-Lock® Locking Devices

3 Pole, 4 Wire Grounding
20, 30A
NEMA L14-20/30, 125/250V
NEMA L15-20/30, 250V 3Ø
NEMA L16-20/30, 480V 3Ø
NEMA L17-30, 600V 3Ø

Insulated Industrial Specification Grade Locking Plugs and Connectors

FEATURES

- Thermoplastic elastomeric exteriors outperform rubber when exposed to moisture, chemicals, oils, and the effects of ultraviolet radiation and ozone attack.
- Connector and plug exteriors can be reversed to shroud plug blades.
- High visibility safety yellow for identification.
- Contacts, blades and terminal screws nickel plated for corrosion resistance.
- Stainless steel assembly and cord grip screws for corrosion resistance.

INDUSTRIAL COMMERCIAL

E-45 LOCKING DEVICES



L1420CY



L1630PY



L1630CY

3 Pole, 4 Wire Insulated Industrial Specification Grade Locking Plugs and Connectors

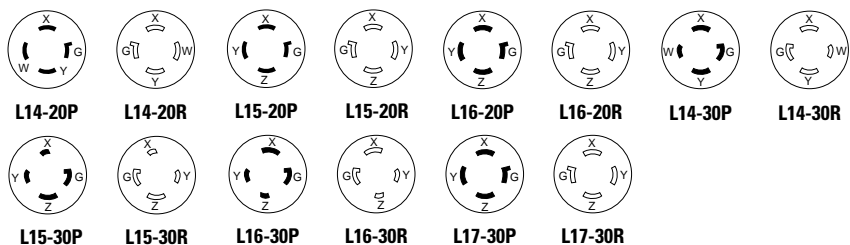
Rating A	V/AC	NEMA	Wire Gauge	Cord Diameter	Color	Plug	Catalog No. Connector
20	125/250	L14-20	14-10 AWG	0.625"-1.156" (15.90mm-29.36mm)	Yellow	L1420PY	L1420CY
20	250V 3Ø	L15-20	14-10 AWG	0.625"-1.156" (15.90mm-29.36mm)	Yellow	L1520PY	L1520CY
20	480V 3Ø	L16-20	14-10 AWG	0.625"-1.156" (15.90mm-29.36mm)	Yellow	L1620PY	L1620CY
30	125/250	L14-30	12-8 AWG	0.625"-1.156" (15.90mm-29.36mm)	Yellow	L1430PY	L1430CY
30	250V 3Ø	L15-30	12-8 AWG	0.625"-1.156" (15.90mm-29.36mm)	Yellow	L1530PY	L1530CY
30	480V 3Ø	L16-30	12-8 AWG	0.625"-1.156" (15.90mm-29.36mm)	Yellow	L1630PY	L1630CY
30	600V 3Ø	L17-30	12-8 AWG	0.625"-1.156" (15.90mm-29.36mm)	Yellow	L1730PY	L1730CY

TESTING & CODE COMPLIANCE

- Listed to UL 498 (file no. E3663).
- cUL Certified for Canada to CSA C22.2 no. 42 (file no. E36637).

MATERIAL CHARACTERISTICS

Thermoplastic elastomeric (TPE) exterior, Glass filled nylon and glass filled polypropylene interior. Temperature Rating: -40°C to 75°C.



Industrial Specification Grade Insulated Hart-Lock® Locking Devices

4 Pole, 4 Wire Non-Grounding 20, 30A
Non-NEMA, 20A, 30A 120/208V 3ØY
NEMA L18-20/30, 120/208V 3ØY
NEMA L19-20/30, 277/480V 3ØY
NEMA L20-20/30, 347/600V 3ØY



INDUSTRIAL COMMERCIAL

E-46 LOCKING DEVICES

Insulated Industrial Specification Grade Locking Plugs and Connectors

FEATURES

- Thermoplastic elastomeric exteriors outperform rubber when exposed to moisture, chemicals, oils, and the effects of ultraviolet radiation and ozone attack.
- Connector and plug exteriors can be reversed to shroud plug blades.
- High visibility safety yellow for identification.
- Contacts, blades and terminal screws nickel plated for corrosion resistance.
- Stainless steel assembly and cord grip screws for corrosion resistance.

4 Pole, 4 Wire Insulated Industrial Specification Grade Locking Plugs and Connectors

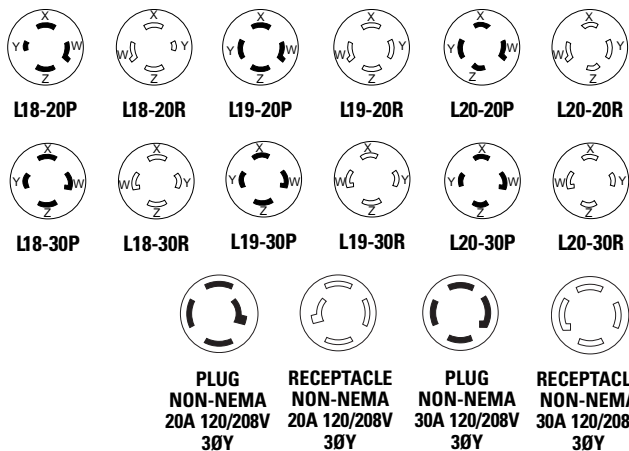
Rating A	V/AC	NEMA	Wire Gauge	Cord Diameter	Color	Plug	Connector
20	120/208V 3ØY	Non-NEMA	14-10 AWG	0.625"-1.156" (15.90mm-29.36mm)	Yellow	7411PY	7411CY
20	120/208V 3ØY	L18-20	14-10 AWG	0.625"-1.156" (15.90mm-29.36mm)	Yellow	L1820PY	L1820CY
20	277/480V 3ØY	L19-20	14-10 AWG	0.625"-1.156" (15.90mm-29.36mm)	Yellow	L1920PY	L1920CY
20	347/600V 3ØY	L20-20	14-10 AWG	0.625"-1.156" (15.90mm-29.36mm)	Yellow	L2020PY	L2020CY
30	120/208V 3ØY	Non-NEMA	12-8 AWG	0.625"-1.156" (15.90mm-29.36mm)	Yellow	3431PY	3431CY
30	120/208V 3ØY	L18-30	12-8 AWG	0.625"-1.156" (15.90mm-29.36mm)	Yellow	L1830PY	L1830CY
30	277/480V 3ØY	L19-30	12-8 AWG	0.625"-1.156" (15.90mm-29.36mm)	Yellow	L1930PY	L1930CY
30	347/600V 3ØY	L20-30	12-8 AWG	0.625"-1.156" (15.90mm-29.36mm)	Yellow	L2030PY	L2030CY



L1820PY



L1820CY



TESTING & CODE COMPLIANCE

· Listed to UL 498 (file no. E3663).

MATERIAL CHARACTERISTICS

Thermoplastic elastomeric (TPE) exterior. Glass filled nylon and glass filled polypropylene interior. Temperature Rating: -40°C to 75°C.



Industrial Specification Grade Insulated Hart-Lock® Locking Devices

4 Pole, 5 Wire Grounding
 20, 30A
 NEMA L21-20/30, 120/208V 3ØY
 NEMA L22-20/30, 277/480V 3ØY
 NEMA L23-20/30, 347/600V 3ØY

INDUSTRIAL
 COMMERCIAL

E-47 LOCKING DEVICES

Insulated Industrial Specification Grade Locking Plugs and Connectors

FEATURES

- Thermoplastic elastomeric exteriors outperform rubber when exposed to moisture, chemicals, oils, and the effects of ultraviolet radiation and ozone attack.
- Connector and plug exteriors can be reversed to shroud plug blades.
- High visibility safety yellow for identification.
- Contacts, blades and terminal screws nickel plated for corrosion resistance.
- Stainless steel assembly and cord grip screws for corrosion resistance.

4 Pole, 5 Wire Grounding Insulated Industrial Spec. Grade Locking Plugs and Connectors

Rating A	V/AC	NEMA	Wire Gauge	Cord Diameter	Color	Catalog No.	
						Plug	Connector
20	120/ 208V 3ØY	L21-20	14-10 AWG	0.625"-1.156" (15.90mm-29.36mm)	Yellow	L2120PY	L2120CY
20	277/ 480V 3ØY	L22-20	14-10 AWG	0.625"-1.156" (15.90mm-29.36mm)	Yellow	L2220PY	L2220CY
20	347/ 600V 3ØY	L23-20	14-10 AWG	0.625"-1.156" (15.90mm-29.36mm)	Yellow	L2320PY	L2320CY
30	120/ 208V 3ØY	L21-30	12-8 AWG	0.625"-1.156" (15.90mm-29.36mm)	Yellow	L2130PY	L2130CY
30	277/ 480V 3ØY	L22-30	12-8 AWG	0.625"-1.156" (15.90mm-29.36mm)	Yellow	L2230PY	L2230CY
30	347/ 600V 3ØY	L23-30	12-8 AWG	0.625"-1.156" (15.90mm-29.36mm)	Yellow	L2330PY	L2330CY



L2120PY



L2120CY

Closure Caps

FEATURES

- Fits insulated plugs and connectors to protect from dirt and moisture.

Closure Caps

Description	Catalog No.
Closure cap for 20A devices	20PW#
Closure cap for 30A devices	30PW#

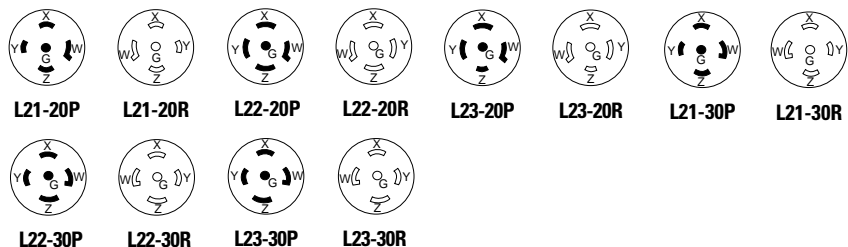
not UL or cUL listed

TESTING & CODE COMPLIANCE

- Listed to UL 498 (file no. E3663).
- cUL Certified for Canada to CSA C22.2 no. 42 (file no. E3663).

MATERIAL CHARACTERISTICS

Thermoplastic elastomeric (TPE) exterior. Glass filled nylon and glass filled polypropylene interior. Temperature Rating: -40°C to 75°C.



Industrial Specification Grade Watertight Hart-Lock® Locking Devices

2 Pole, 3 Wire
 15, 20, 30A
 NEMA L5-15/20/30, 125V
 NEMA L6-15/20/30, 250V
 NEMA L7-15/20/30, 277V
 NEMA L8-20/30, 480V



INDUSTRIAL COMMERCIAL

E-48 LOCKING DEVICES

Watertight Industrial Specification Grade Locking Plugs and Connectors

FEATURES

- Thermoplastic elastomeric exteriors out-perform rubber when exposed to moisture, chemicals, oils, and the effects of ultraviolet radiation and ozone attack.
- Mated plug and connector form a watertight seal that meets the requirements of NEMA 3R, 4X, IEC IP67 and withstands water spray test at 800 psi.
- Connector supplied with closure cap for watertight seal when connector not in use. Optional closure cap for plugs available.
- High visibility safety yellow for identification.
- Contacts, blades and terminal screws nickel plated for corrosion resistance.
- Quick drive, stainless steel assembly screws for corrosion resistance and fast installation.
- Color coded neoprene grommets for a watertight seal on a wide range of cord sizes.

2 Pole 3 Wire Watertight Industrial Specification Grade Locking Plugs and Connectors

Rating A	V/AC	NEMA	Wire Gauge	Cord Diameter	Color	Plug	Catalog No. Connector
15	125	L5-15	18-12 AWG	0.30"-0.65" (7.6mm-16.5mm)	Yellow	24W47	25W47
15	250	L6-15	18-12 AWG	0.30"-0.65" (7.6mm-16.5mm)	Yellow	24W49	25W49
15	277	L7-15	18-12 AWG	0.30"-0.65" (7.6mm-16.5mm)	Yellow	24W34	25W34
20	125	L5-20	14-10 AWG	0.36"-0.84" (9.1mm-21.3mm)	Yellow	L520PW	L520CW
20	250	L6-20	14-10 AWG	0.36"-0.84" (9.1mm-21.3mm)	Yellow	L620PW	L620CW
20	277	L7-20	14-10 AWG	0.36"-0.84" (9.1mm-21.3mm)	Yellow	L720PW	L720CW
20	480	L8-20	14-10 AWG	0.36"-0.84" (9.1mm-21.3mm)	Yellow	L820PW	L820CW
30	125	L5-30	12-8 AWG	0.43"-1.15" (10.9mm-29.2mm)	Yellow	L530PW	L530CW
30	250	L6-30	12-8 AWG	0.43"-1.15" (10.9mm-29.2mm)	Yellow	L630PW	L630CW
30	277	L7-30	12-8 AWG	0.43"-1.15" (10.9mm-29.2mm)	Yellow	L730PW	L730CW
30	480	L8-30	12-8 AWG	0.43"-1.15" (10.9mm-29.2mm)	Yellow	L830PW	L830CW



24W47



25W47



L620PW



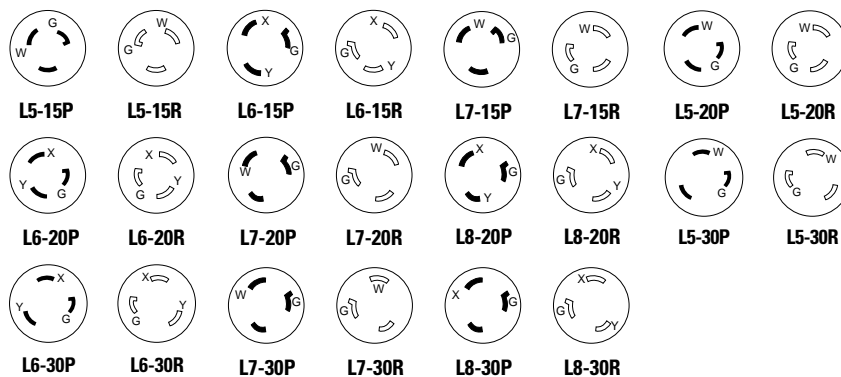
L620CW

TESTING & CODE COMPLIANCE

- Listed to UL 498 (file no. E3663).
- cUL Certified for Canada to CSA C22.2 no. 42 (file no. E36637).

MATERIAL CHARACTERISTICS

Thermoplastic elastomeric (TPE) exterior. Glass filled nylon and glass filled polypropylene interior. Temperature Rating: -40°C to 75°C.





Industrial Specification Grade Watertight Hart-Lock® Locking Devices

3 Pole, 3 Wire Non-Grounding 20, 30A
Non-NEMA, 20/30A 125/250V
NEMA L10-20/30, 125/250V
NEMA L11-20/30, 250V 3Ø

Watertight Industrial Specification Grade Locking Plugs and Connectors

FEATURES

- Thermoplastic elastomeric exteriors outperform rubber when exposed to moisture, chemicals, oils, and the effects of ultraviolet radiation and ozone attack.
- Mated plug and connector form a watertight seal that meets the requirements of NEMA 3R, 4X, IEC IP67 and withstands water spray test at 800 psi.
- Connector supplied with closure cap for watertight seal when connector not in use. Optional closure cap for plugs available.
- High visibility safety yellow for identification.
- Contacts, blades and terminal screws nickel plated for corrosion resistance.
- Quick drive, stainless steel assembly screws for corrosion resistance and fast installation.
- Color coded neoprene grommets for a watertight seal on a wide range of cord sizes.

INDUSTRIAL COMMERCIAL

E-49
LOCKING DEVICES



L1020PW



L1020CW

3 Pole 3 Wire Watertight Industrial Specification Grade Locking Plugs and Connectors

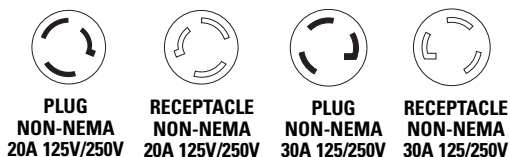
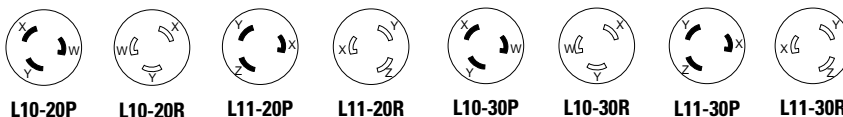
Rating	A	V/AC	NEMA	Wire Gauge	Cord Diameter	Color	Catalog No. Plug	Connector
20		125/250	Non-NEMA	14-10 AWG	0.36"-0.84" (9.1mm-21.3mm)	Yellow	9965PW	9965CW*
20		125/250	L10-20	14-10 AWG	0.36"-0.84" (9.1mm-21.3mm)	Yellow	L1020PW	L1020CW
20		250V 3Ø	L11-20	14-10 AWG	0.36"-0.84" (9.1mm-21.3mm)	Yellow	L1120PW	L1120CW
30		125/250	L10-30	12-8 AWG	0.43"-1.15" (10.9mm-29.2mm)	Yellow	L1030PW	L1030CW
30		125/250	Non-NEMA	12-8 AWG	0.43"-1.15" (10.9mm-29.2mm)	Yellow	L3331PW	L3333CW
30		250V 3Ø	L11-30	12-8 AWG	0.43"-1.15" (10.9mm-29.2mm)	Yellow	L1130PW	L1130CW

TESTING & CODE COMPLIANCE

· Listed to UL 498 (file no. E3663).

MATERIAL CHARACTERISTICS

Thermoplastic elastomeric (TPE) exterior, Glass filled nylon and glass filled polypropylene interior. Temperature Rating: -40°C to 75°C.



Industrial Specification Grade Watertight Hart-Lock® Locking Devices

**3 Pole, 4 Wire Grounding
20, 30A**
NEMA L14-20/30, 125/250V
NEMA L15-20/30, 250V 3Ø
NEMA L16-20/30, 480V 3Ø
NEMA L17-30, 600V 3Ø



INDUSTRIAL
COMMERCIAL

E-50 LOCKING DEVICES

Watertight Industrial Specification Grade Locking Plugs and Connectors

FEATURES

- Thermoplastic elastomeric exteriors outperform rubber when exposed to moisture, chemicals, oils, and the effects of ultraviolet radiation and ozone attack.
- Mated plug and connector form a watertight seal that meets the requirements of NEMA 3R, 4X, IEC IP67 and withstands water spray test at 800 psi.
- Connector supplied with closure cap for watertight seal when connector not in use. Optional closure cap for plug available.
- High visibility safety yellow for identification.
- Contacts, blades and terminal screws nickel plated for corrosion resistance.
- Quick drive, stainless steel assembly screws for corrosion resistance and fast installation.
- Color coded neoprene grommets for a watertight seal on a wide range of cord sizes.

3 Pole, 4 Wire Grounding Watertight Industrial Spec. Grade Locking Plugs and Connectors

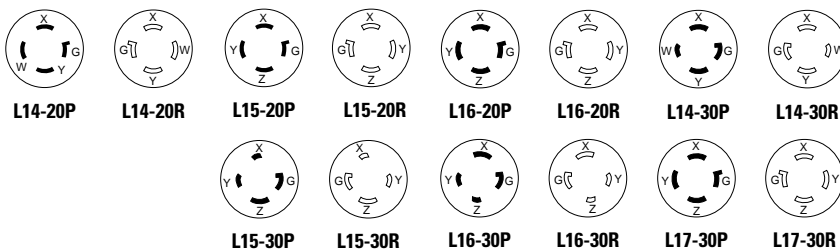
Rating A	V/AC	NEMA	Wire Gauge	Cord Diameter	Color	Catalog No.	
						Plug	Connector
20	125/ 250	L14-20	14-10 AWG	0.36"-0.84" (9.1mm-21.3mm)	Yellow	L1420PW	L1420CW
20	250V 3Ø	L15-20	14-10 AWG	0.36"-0.84" (9.1mm-21.3mm)	Yellow	L1520PW	L1520CW
20	480V 3Ø	L16-20	14-10 AWG	0.36"-0.84" (9.1mm-21.3mm)	Yellow	L1620PW	L1620CW
30	125/ 250	L14-30	12-8 AWG	0.43"-1.15" (10.9mm-29.2mm)	Yellow	L1430PW	L1430CW
30	250V 3Ø	L15-30	12-8 AWG	0.43"-1.15" (10.9mm-29.2mm)	Yellow	L1530PW	L1530CW
30	480V 3Ø	L16-30	12-8 AWG	0.43"-1.15" (10.9mm-29.2mm)	Yellow	L1630PW	L1630CW
30	600V 3Ø	L17-30	12-8 AWG	0.43"-1.15" (10.9mm-29.2mm)	Yellow	L1730PW	L1730CW



L1420PW



L1420CW



TESTING & CODE COMPLIANCE

- Listed to UL 498 (file no. E3663).
- cUL Certified for Canada to CSA C22.2 no. 42 (file no. E3663).

MATERIAL CHARACTERISTICS

Thermoplastic elastomeric (TPE) exterior. Glass filled nylon and glass filled polypropylene interior. Temperature Rating: -40°C to 75°C.



Industrial Specification Grade Watertight Hart-Lock® Locking Devices

4 Pole, 4 Wire Non-Grounding 20, 30A
Non-NEMA, 20A, 30A 120/208V 3ØY
NEMA L18-20/30, 120/208V 3ØY
NEMA L19-20/30, 277/480V 3ØY
NEMA L20-20/30, 600V 3ØY

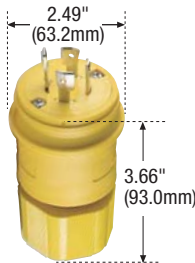
Watertight Industrial Specification Grade Locking Plugs and Connectors

FEATURES

- Thermoplastic elastomeric exteriors outperform rubber when exposed to moisture, chemicals, oils, and the effects of ultraviolet radiation and ozone attack.
- Mated plug and connector form a watertight seal that meets the requirements of NEMA 3R, 4X, IEC IP67 and withstands water spray test at 800 psi.
- Connector supplied with closure cap for watertight seal when connector not in use. Optional closure cap for plugs available.
- High visibility safety yellow for identification.
- Contacts, blades and terminal screws nickel plated for corrosion resistance.
- Quick drive, stainless steel assembly screws for corrosion resistance and fast installation.
- Color coded neoprene grommets for a watertight seal on a wide range of cord sizes.

INDUSTRIAL COMMERCIAL

E-51 LOCKING DEVICES



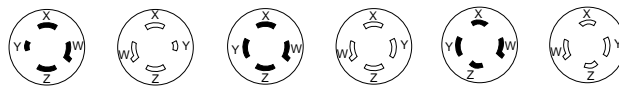
L1820PW



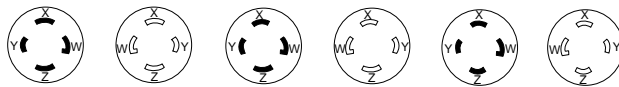
L1820CW

4 Pole, 4 Wire Watertight Industrial Specification Grade Locking Plugs and Connectors

Rating	Cord			Catalog No.				
	A	V/AC	NEMA	Wire Gauge	Diameter	Color	Plug	Connector
20	120/208V	3ØY	Non-NEMA	14-10 AWG	0.36"-0.84" (9.1mm-21.3mm)	Yellow	7411PW	7411CW
20	120/208V	3ØY	L18-20	14-10 AWG	0.36"-0.84" (9.1mm-21.3mm)	Yellow	L1820PW	L1820CW
20	277/480V	3ØY	L19-20	14-10 AWG	0.36"-0.84" (9.1mm-21.3mm)	Yellow	L1920PW	L1920CW
20	347/600V	3ØY	L20-20	14-10 AWG	0.36"-0.84" (9.1mm-21.3mm)	Yellow	L2020PW	L2020CW
30	120/208V	3ØY	Non-NEMA	12-8 AWG	0.43"-1.15" (10.9mm-29.2mm)	Yellow	3431PW	3431CW
30	120/208V	3ØY	L18-30	12-8 AWG	0.43"-1.15" (10.9mm-29.2mm)	Yellow	L1830PW	L1830CW
30	277/480V	3ØY	L19-30	12-8 AWG	0.43"-1.15" (10.9mm-29.2mm)	Yellow	L1930PW	L1930CW
30	347/600V	3ØY	L20-30	12-8 AWG	0.43"-1.15" (10.9mm-29.2mm)	Yellow	L2030PW	L2030CW



L18-20P L18-20R L19-20P L19-20R L20-20P L20-20R



L18-30P L18-30R L19-30P L19-30R L20-30P L20-30R



PLUG NON-NEMA 20A 120/208V 3ØY RECEPTACLE NON-NEMA 20A 120/208V 3ØY PLUG NON-NEMA 30A 120/208V 3ØY RECEPTACLE NON-NEMA 30A 120/208V 3ØY

TESTING & CODE COMPLIANCE

Listed to UL 498 (file no. E3663).

MATERIAL CHARACTERISTICS

Thermoplastic elastomeric (TPE) exterior. Glass filled nylon and glass filled polypropylene interior. Temperature Rating: -40°C to 75°C.

Industrial Specification Grade Watertight Hart-Lock® Locking Devices

4 Pole, 5 Wire Grounding
20, 30A
NEMA L21-20/30, 120/208V 3ØY
NEMA L22-20/30, 277/480V 3ØY
NEMA L23-20/30, 600V 3ØY



INDUSTRIAL COMMERCIAL

E-52 LOCKING DEVICES

TESTING & CODE COMPLIANCE

- Listed to UL 498 (file no. E3663).
- cUL Certified for Canada to CSA C22.2 no. 42 (file no. E3663).
- 20PW, 30PW, 20CW, 30CW, WM125, WM126, WM127, WM128, not UL or cUL Listed.

MATERIAL CHARACTERISTICS

Thermoplastic elastomeric (TPE) exterior. Glass filled nylon and glass filled polypropylene interior. Temperature Rating: -40°C to 75°C.

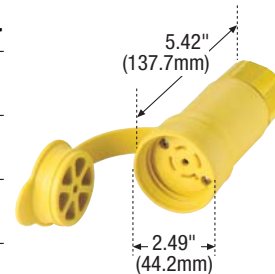
Watertight Industrial Specification Grade Locking Plugs and Connectors

FEATURES

- Thermoplastic elastomeric exteriors out-perform rubber when exposed to moisture, chemicals, oils, and the effects of ultraviolet radiation and ozone attack.
- Mated plug and connector form a watertight seal that meets the requirements of NEMA 3R, 4X, IEC IP67 and withstands water spray test at 800 psi.
- Connector supplied with closure cap for watertight seal when connector not in use. Optional closure cap for plugs available.
- High visibility safety yellow for identification.
- Contacts, blades and terminal screws nickel plated for corrosion resistance.
- Quick drive, stainless steel assembly screws for corrosion resistance and fast installation.
- Color coded neoprene grommets for a watertight seal on a wide range of cord sizes.



L2120PW



L2120CW



20PW



WM125

4 Pole, 5 Wire Grounding Watertight Industrial Grade Locking Plugs and Connectors

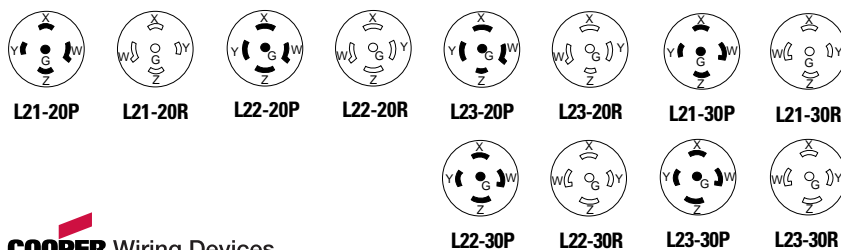
Rating A	V/AC	NEMA	Wire Gauge	Cord Diameter	Color	Catalog No. Plug	Connector
20	120/208V 3ØY	L21-20	14-10 AWG	0.36"-0.84" (9.1mm-21.3mm)	Yellow	L2120PW	L2120CW
20	277/480V 3ØY	L22-20	14-10 AWG	0.36"-0.84" (9.1mm-21.3mm)	Yellow	L2220PW	L2220CW
20	347/600V 3ØY	L23-20	14-10 AWG	0.36"-0.84" (9.1mm-21.3mm)	Yellow	L2320PW	L2320CW
30	120/208V 3ØY	L21-30	12-8 AWG	0.43"-1.15" (10.9mm-29.2mm)	Yellow	L2130PW	L2130CW
30	277/480V 3ØY	L22-30	12-8 AWG	0.43"-1.15" (10.9mm-29.2mm)	Yellow	L2230PW	L2230CW
30	347/600V 3ØY	L23-30	12-8 AWG	0.43"-1.15" (10.9mm-29.2mm)	Yellow	L2330PW	L2330CW

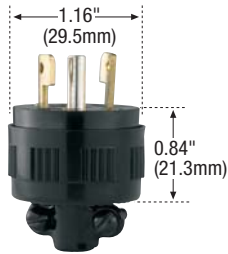
Closure Caps

Description	Catalog No.
20A Plug closure cap	20PW
30A Plug closure cap	30PW
20A Conn Replacement cap	20CW
30A Conn Replacement cap	30CW

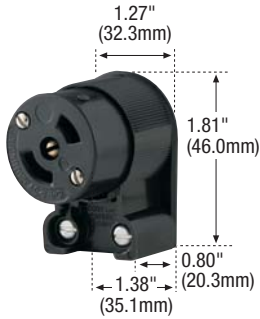
Wire Mesh Grips

Description	Catalog No.
0.375"-0.50" (9.5mm-12.7mm)	WM125
0.500"-0.625" (12.7mm-15.9mm)	WM126
0.625"-0.750" (15.9mm-19.1mm)	WM127
0.750"-0.875" (19.1mm-22.2mm)	WM128
0.875"-1.00" (22.2-25.4mm)	WM129





7485



7571



7484



7596N



7466

Industrial Specification Grade Midget Type Hart-Lock® Locking Devices

2 Pole, 2 Wire Non-Grounding
2 Pole, 3 Wire Grounding
3 Pole, 3 Wire Non-Grounding
NEMA ML-1, 15A 125V
NEMA ML-2, 15A 125V
NEMA ML-3, 15A 125V

15A Industrial Specification Grade Midget Type Locking Plugs and Connectors

FEATURES

- Rugged nylon housing with phenolic interior.
- Metal cord grip provides strain relief for cable.

Midget Plugs, Back Wired "Dead-Front" Design

Rating A	V/AC	NEMA	Config- uration	Description/ Cord Diameter	Color	Plug	Catalog No. Connector
15	125	ML1	2 Pole, 2 Wire	Straight: 0.22"-0.31" (5.5mm-7.9mm)	Black	7465N*	
				Straight: 0.31"-0.50" (7.9mm-12.7mm)	Black	7428N*	
				Straight, polarized: 0.22"-0.31" (5.5mm-7.9mm)	Black	7479N*	7464N*
				Straight, polarized: 0.31"-0.50" (7.9mm-12.7mm)	Black	7429N*	7427N*
15	125	ML2	2 Pole, 3 Wire	Straight: 0.28"-0.42" (7.1mm-10.7mm)	Black	7594*	7593**
				Angle: 0.25"-0.46" (6.4mm-11.7mm)	Black	7570*	7571**
15	125	ML3	3 Pole, 3 Wire	Straight: 0.28"-0.42" (7.1mm-10.7mm)	Black	7485*	7484**
				Angle: 0.25"-0.46" (6.4mm-11.7mm)	Black	7432*	7433**

15A Industrial Specification Grade Midget Type Flanged Inlets and Outlets

FEATURES

- Metal housing consists of nickel plated brass.

Midget Flanged Inlets and Outlet

Rating A	V/AC	NEMA	Config- uration	Description	Color	Catalog No. Inlet	Catalog No. Outlet
15	125	ML1	2 Pole, 2 Wire	Standard		7466 #	
				Polarized		7467 #	7468**
15	125	ML2	2 Pole, 3 Wire	Metal housing		7595*	7596**
				Nylon housing	Black	7595N**	7596N**
15	125	ML3	3 Pole, 3 Wire	Metal housing		7468**	7487**
				Nylon housing	Black	7486N*	7487N**

*Nylon and Phenolic construction

**Glass filled Nylon construction

#Phenolic construction



INDUSTRIAL
COMMERCIAL

E-53
LOCKING
DEVICES

TESTING & CODE COMPLIANCE

· Listed to UL 498,
(file no. E3663)
except Outlets
(file no. E2369).
· CSA Certified to
C22.2 no. 42
(file no. LR7087)
except 7432, 7433:
not CSA Listed.

MATERIAL CHARACTERISTICS

Glass filled Nylon,
Nylon and Phenolic
or Phenolic as noted.
Environmental:
Flammability
per UL 94
requirements. 7466,
7467, 7468 V0 rated.
7432, 7433, 7484,
7593, 7571, 7596,
7595N, 7596N, 7487,
7486N, 7487N
V2 rated.
Temperature Rating:
-40°C to 75°C,
except: 7594, 7485,
7465N, 7428N,
7479N, 7429N,
7464, 7427 are
-40°C to 95°C;
7468 is -40°C to
105°C; 7466, 7467
are -40°C to 150°C.

50A Hart-Lock® Locking Devices

Industrial Specification Grade
and Marine Grade Non-NEMA
Configurations



INDUSTRIAL
COMMERCIAL

E-54 LOCKING DEVICES

50A Locking Receptacles

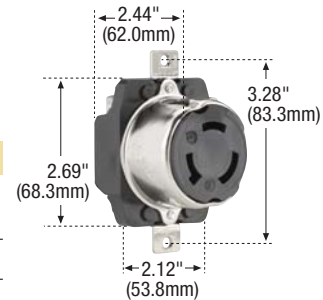
FEATURES

- Rugged glass filled nylon construction stands up to toughest environments.
- Heavy gauge 0.078" (1.98mm) steel shells.
- Tough corrosion resistant finish.
- Rubber parts comply with MIL-R-3065, RG20.
- 7379 is for replacement purposes only, use 3769 in new applications.

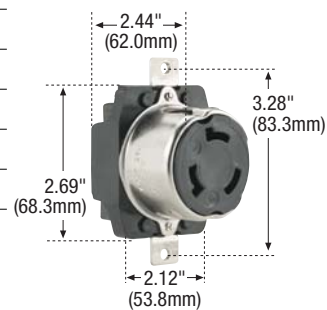
50A Single Receptacles - Pressure Type Terminals, Industrial Specification & Marine Grade

Rating A	V/AC	Configuration	Description	Color	Catalog No.
50	125	2 Pole, 3 Wire	Marine Style	Black	63CR70
	125	2 Pole, 3 Wire	California Standard	Black	CS6370
	250	2 Pole, 3 Wire	California Standard	Black	CS8269
	480	2 Pole, 3 Wire	California Standard	Black	CS8469
	600V/AC/250V/DC	2 Pole, 3 Wire	Standard	Black	3771
	125/250	3 Pole, 4 Wire	Marine Style	Black	63CR69
	125/250	3 Pole, 4 Wire	California Standard	Black	CS6369
	250V 3Ø AC	3 Pole, 4 Wire	California Standard	Black	CS8369
	480V 3Ø AC	3 Pole, 4 Wire	California Standard	Black	CS8169
	600V/AC/250V/DC	3 Pole, 4 Wire	Standard	Black	3769
	600V/AC/250V/DC	3 Pole, 4 Wire	Standard	Black	7379

NOTE: Weather Protective Covers from Cooper Wiring Devices that may be used with these products are described on page E-71 in this section.



63CR70



63CR69



CS8369



**RECEPTACLE
CS8269**



**RECEPTACLE
CS8169**



**RECEPTACLE
7379**



**RECEPTACLE
63CR69**



**RECEPTACLE
63CR70**



**RECEPTACLE
3769**



**RECEPTACLE
CS6370**



**RECEPTACLE
CS6369**



**RECEPTACLE
CS8369**



**RECEPTACLE
CS8469**



**RECEPTACLE
3771**

TESTING & CODE COMPLIANCE

- Listed to UL 498.
- cUL certified to CSA C22.2 no. 42 (file no. E2369).

MATERIAL CHARACTERISTICS

Glass-filled Nylon.
Environmental:
Flammability
per UL 94
requirements,
V0 rated.
Temperature Rating:
-40°C to 105°C.



INDUSTRIAL
COMMERCIAL

E-55
LOCKING
DEVICES

TESTING & CODE COMPLIANCE

- Listed to UL 498
- cUL Listed to CSA C22.2 no. 42 (file no. E3663).

MATERIAL CHARACTERISTICS

Glass-filled Nylon and Nylon, Plated or Stainless Steel
Environmental:
Flammability per UL 94 requirements, VO rated.
Temperature Rating: -40°C to 95°C.



50A Hart-Lock® Locking Devices

Industrial Specification Grade
and Marine Grade Non-NEMA
Configurations

Nylon 50A Locking Plugs and Connectors

FEATURES

- Internal construction consists of rugged glass reinforced nylon.
- Marine units are corrosion resistant including stainless steel shells.
- Tapered shell minimizes snagging.
- Neoprene gland seals entry of dirt and moisture into device interiors.
- AutoGrip™ style housing provides dependable internal cable clamp for fast, easy assembly.
- Terminal lugs designed for #6 wire.
- 7764N/7765N are for replacement purposes only. Use 3764N/3765N for new applications.
- Deep, tapered wire wells for positive conductor isolation.



CS6365N



CS6364N



CS8165N

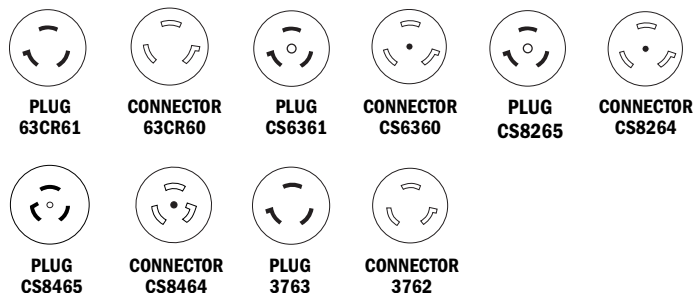


CS8164N

AutoGrip™ Nylon 50A Locking Plugs & Connectors, Industrial Specification & Marine Grade

Rating A	V/AC	Config- uration	Description/ Cord Diameter	Color	Catalog No. Plug	Catalog No. Connector
50	125	2 Pole, 3 Wire	Marine Style 0.68"-1.13" (17.3mm-28.6mm)	Black	63CR61N	63CR60N
	125	2 Pole, 3 Wire	California Standard 0.68"-1.13" (17.3mm-28.6mm)	Black	CS6361N	CS6360N
	250	2 Pole, 3 Wire	California Standard 0.68"-1.13" (17.3mm-28.6mm)	Black	CS8265N	CS8264N
	480	2 Pole, 3 Wire	California Standard 0.68"-1.13" (17.3mm-28.6mm)	Black	CS8465N	CS8464N
	600V/AC/ 250VDC	2 Pole, 3 Wire	Standard 0.68"-1.13" (17.3mm-28.6mm)	Black	3763N	3762N
	125/250	3 Pole, 4 Wire	Marine Style 0.68"-1.13" (17.3mm-28.6mm)	Black	63CR65N	63CR64N
	125/250	3 Pole, 4 Wire	California Standard 0.68"-1.13" (17.3mm-28.6mm)	Black	CS6365N	CS6364N
	250V 3Ø AC	3 Pole, 4 Wire	California Standard 0.68"-1.13" (17.3mm-28.6mm)	Black	CS8365N	CS8364N
	480V 3Ø AC	3 Pole, 4 Wire	California Standard 0.68"-1.13" (17.3mm-28.6mm)	Black	CS8165N	CS8164N
	600V/AC/ 250V/DC	3 Pole, 4 Wire	Standard 0.68"-1.13" (17.3mm-28.6mm)	Black	3765N	3764N
	600V/AC/ 250V/DC	3 Pole, 4 Wire	Standard 0.68"-1.13" (17.3mm-28.6mm)	Black	7765N	7764N

NOTE: Weather Protective Boots from Cooper Wiring Devices that may be used with these products are described on pages E-72 in this section.



50A Hart-Lock® Locking Devices

Industrial Specification Grade
and Marine Grade Non-NEMA
Configurations



INDUSTRIAL
COMMERCIAL

E-56 LOCKING DEVICES

TESTING & CODE COMPLIANCE

- Listed to UL 498
- cUL Listed to CSA C22.2 no. 42, (file no. E3663).

MATERIAL CHARACTERISTICS

Glass-filled Nylon and Nylon. Plated or Stainless Steel.
Environmental:
Flammability per UL 94 requirements, V0 rated.
Temperature Rating:
-40°C to 95°C.

Nylon 50A Locking Plugs and Connectors

FEATURES

- Internal construction consists of rugged glass reinforced nylon.
- Marine units are corrosion resistant including stainless steel shells.
- Neoprene gland seals entry of dirt and moisture into device interiors.
- Safety Grip style housing provides rugged heavy duty external cable clamp.
- Terminal lugs designed for #6 wire.
- 7764E/7765E are for replacement purposes only. Use 3764E/3765E for new applications.
- Deep, tapered wire wells for positive conductor isolation.

Safety Grip™ Nylon 50A Locking Plugs & Connectors, Industrial Specification & Marine Grade

Rating A	V/AC	Config- uration	Description/ Cord Diameter	Color	Catalog No.	
					Plug	Connector
50	125	2 Pole, 3 Wire	Marine Style 0.68"-1.13" (17.3mm-28.6mm)	Black	63CR61E	63CR60E
	125	2 Pole, 3 Wire	California Standard 0.68"-1.13" (17.3mm-28.6mm)	Black	CS6361E	CS6360E
	250	2 Pole, 3 Wire	California Standard 0.68"-1.13" (17.3mm-28.6mm)	Black	CS8265E	CS8264E
	480	2 Pole, 3 Wire	California Standard 0.68"-1.13" (17.3mm-28.6mm)	Black	CS8465E	CS8464E
	600V/AC/ 250VDC	2 Pole, 3 Wire	Standard 0.68"-1.13" (17.3mm-28.6mm)	Black	3763E	3762E
	125/250	3 Pole, 4 Wire	Marine Style 0.68"-1.13" (17.3mm-28.6mm)	Black	63CR65E	63CR64E
	125/250	3 Pole, 4 Wire	California Standard 0.68"-1.13" (17.3mm-28.6mm)	Black	CS6365E	CS6364E
	250V 3Ø AC	3 Pole, 4 Wire	California Standard 0.68"-1.13" (17.3mm-28.6mm)	Black	CS8365E	CS8364E
	480V 3Ø AC	3 Pole, 4 Wire	California Standard 0.68"-1.13" (17.3mm-28.6mm)	Black	CS8165E	CS8164E
	600V/AC/ 250V/DC	3 Pole, 4 Wire	Standard 0.68"-1.13" (17.3mm-28.6mm)	Black	3765E	3764E
	600V/AC/ 250V/DC	3 Pole, 4 Wire	Standard 0.68"-1.13" (17.3mm-28.6mm)	Black	7765E	7764E

NOTE: Weather Protective Boots from Cooper Wiring Devices that may be used with these products are described on pages E-72 in this section.



PLUG
63CR65



CONNECTOR
63CR64



PLUG
CS6365



CONNECTOR
CS6364



PLUG
CS8365



CONNECTOR
CS8364



PLUG
CS8165



CONNECTOR
CS8164



PLUG
3765



CONNECTOR
3764



PLUG
7765



CONNECTOR
7764



CS8165E



CS8164E



50A Hart-Lock® Locking Devices

**Industrial Specification Grade
and Marine Grade Non-NEMA
Configurations**

Armored 50A Plugs and Connectors

FEATURES

- Marine units are corrosion resistant including stainless steel shells and housing for added corrosion protection.
- Metal cable clamp provides for large range of cable sizes and durable strain relief.
- Terminal lugs designed for #6 wire.
- 7764/7765 are for replacement purposes only. Use 3764/3765 for new applications.

Safety Grip™ Nylon 50A Locking Plugs & Connectors, Industrial Specification & Marine Grade

Rating A	V/AC	Config- uration	Description/ Cord Diameter	Color	Catalog No.	
					Plug	Connector
50	125	2 Pole, 3 Wire	Marine Style 0.68"-1.13" (17.3mm-28.6mm)	Black	63CR61	63CR60
	125	2 Pole, 3 Wire	California Standard 0.68"-1.13" (17.3mm-28.6mm)	Black	CS6361	CS6360
	250	2 Pole, 3 Wire	California Standard 0.68"-1.13" (17.3mm-28.6mm)	Black	CS8265	CS8264
	480	2 Pole, 3 Wire	California Standard 0.68"-1.13" (17.3mm-28.6mm)	Black	CS8465	CS8464
	600V/AC/ 250VDC	2 Pole, 3 Wire	Standard 0.68"-1.13" (17.3mm-28.6mm)	Black	3763	3762
	125/250	3 Pole, 4 Wire	Marine Style 0.68"-1.13" (17.3mm-28.6mm)	Black	63CR65	63CR64
	125/250	3 Pole, 4 Wire	California Standard 0.68"-1.13" (17.3mm-28.6mm)	Black	CS6365	CS6364
	250V 3Ø AC	3 Pole, 4 Wire	California Standard 0.68"-1.13" (17.3mm-28.6mm)	Black	CS8365	CS8364
	480V 3Ø AC	3 Pole, 4 Wire	California Standard 0.68"-1.13" (17.3mm-28.6mm)	Black	CS8165	CS8164
	600V/AC/ 250V/DC	3 Pole, 4 Wire	Standard 0.68"-1.13" (17.3mm-28.6mm)	Black	3765	3764
	600V/AC/ 250V/DC	3 Pole, 4 Wire	Standard 0.68"-1.13" (17.3mm-28.6mm)	Black	7765	7764



CS6365



CS6364

NOTE: Weather Protective Boots from Cooper Wiring Devices that may be used with these products are described on pages E-72 in this section.

INDUSTRIAL
COMMERCIAL

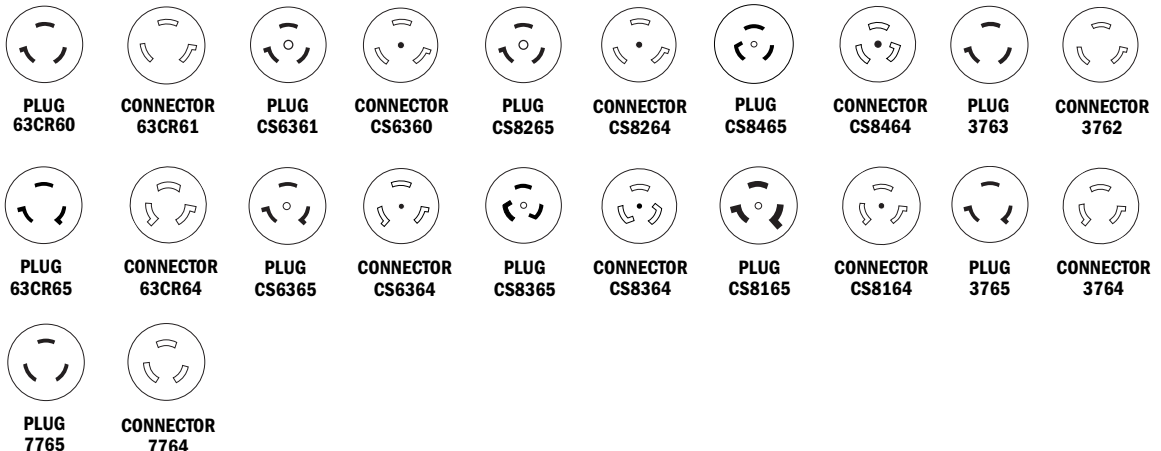
E-57
LOCKING
DEVICES

TESTING & CODE COMPLIANCE

- Listed to UL 498
- cUL Listed to CSA C22.2 no. 42, (file no. E3663).

MATERIAL CHARACTERISTICS

Glass-filled Nylon,
Plated or
Stainless Steel.
Environmental:
Flammability
per UL 94
requirements,
VO rated.
Temperature Rating:
-40°C to 105°C.



50A Hart-Lock® Locking Devices

Industrial Specification Grade
and Marine Grade Non-NEMA
Configurations



INDUSTRIAL
COMMERCIAL

E-58 LOCKING DEVICES

TESTING & CODE COMPLIANCE

- Listed to UL 498 (file no. E3663); Weather protective covers listed to UL 514A (file no. E2458).
- cUL Listed to CSA C22.2 no. 42 (file no. E3663). Weather protective covers cUL listed to CSA C22.2 no. 18 (file no. E3663).

MATERIAL CHARACTERISTICS

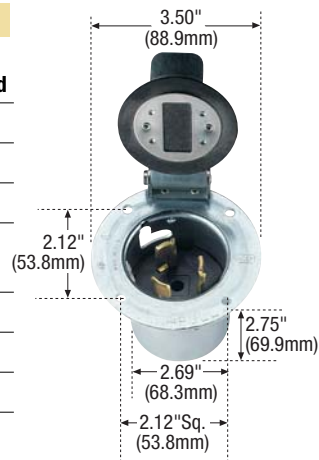
Glass-filled Nylon, Plated Steel.
Environmental:
Flammability per UL 94 requirements, V0 rated.
Temperature Rating: -40°C to 105°C.

50A Flanged Inlets, Industrial Specification Grade

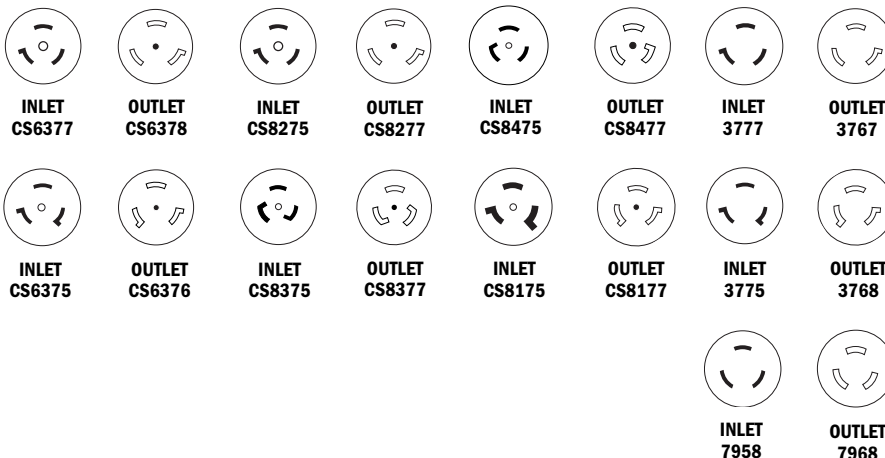
FEATURES

- Internal construction consists of rugged glass reinforced nylon.
- Rugged metal shells and housings consist of corrosion resistant plated steel.
- Available with UL approved weather protective lid.
- Back wired for quick and dependable conductor termination.
- Terminal lugs designed for #6 wire.
- 7958/7968 are for replacement purposes only. Use 3768/3775 for new applications.
- Deep, tapered wire wells for positive conductor isolation.

50A Flanged Inlets, Industrial Specification Grade						
Rating A	V/AC	Configuration	Description	Color	Catalog No.	
					Inlet	Inlet with Lid
50	125	2 Pole, 3 Wire	California Standard	Black	CS6377	CS6378
	250	2 Pole, 3 Wire	California Standard	Black	CS8275	CS8277
	480	2 Pole, 3 Wire	California Standard	Black	CS8475	CS8477
	600V/AC/ 250V/DC	2 Pole, 3 Wire	Standard	Black	3777	3767
	125/250VAC	3 Pole, 4 Wire	California Standard	Black	CS6375	CS6376
	250V 3Ø AC	3 Pole, 4 Wire	California Standard	Black	CS8375	CS8377
	480V 3Ø AC	3 Pole, 4 Wire	California Standard	Black	CS8175	CS8177
	600V/AC/ 250V/DC	3 Pole, 4 Wire	Standard	Black	3775	3768
	600V/AC/ 250V/DC	3 Pole, 4 Wire	Standard	Black	7958	7968



CS6376





INDUSTRIAL
COMMERCIAL

E-59 LOCKING DEVICES

TESTING & CODE COMPLIANCE

· Listed to UL 498:
(file no. E3663);
Weather protective
lids listed to UL 514A
7770:
(file no. E3663),
and to UL 514C
7788CR:
(file no. E2458)
· cUL listed to CSA
C22.2 no. 42, and
no. 18 per files
listed above.

MATERIAL CHARACTERISTICS

Glass-filled Nylon,
except 7770:
Die-cast Aluminum;
Environmental:
Flammability
per UL 94
requirements,
VO rated.
Temperature Rating:
-40°C to 105°C.



50A Hart-Lock® Locking Devices

Industrial Specification Grade
and Marine Grade Non-NEMA
Configurations

50A Hull Inlets, Marine Grade

FEATURES

- Internal construction consists of rugged glass reinforced nylon.
- Body, flange and lid made from chrome plated forged brass.
- Back wired for quick and dependable conductor termination.
- Terminal lugs designed for #6 wire.
- Deep, tapered wire wells for positive conductor isolation.



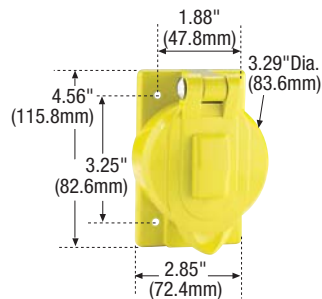
63CR72



63CR74



7770



7788CR



**INLET
63CR72**



**INLET
63CR74**

50A Flanged Inlets, Industrial Specification Grade

Rating

A	V/AC	Configuration	Catalog No.
50	125	2 Pole, 3 Wire	63CR72
	125/250	3 Pole, 4 Wire	63CR74

50A Receptacle Covers

FEATURES

- UL Listed for wet locations with cover closed and damp locations with cover open or closed.

50 Amp Receptacle Covers

Description

Description	Catalog No.
Weather protective die-cast aluminum, lift lid cover	7770
Weather protective yellow glass filled nylon, with lift lid cover	7788CR

Hospital Use Mobile X-Ray™ Power-Lock® Devices

2 Pole, 3 Wire Grounding
50A 250V
60A 250V

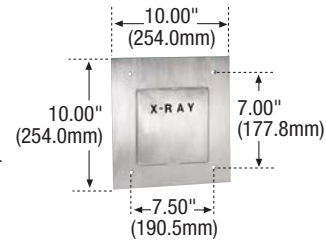


Hospital Use Mobile X-Ray Power-Lock® Devices

FEATURES

These devices meet the requirements of hospital standards for non-interchangeability with regular wiring devices. Power-Lock X-ray receptacles are designed to prevent accidental insertion of plugs from other electrical equipment. Likewise, the

Power-Lock X-ray plugs can only be inserted into X-ray receptacles. These X-ray devices meet industry standards and are interchangeable with X-ray devices of the same rating.



25605

Hospital Use Power-Lock® Receptacles

FEATURES

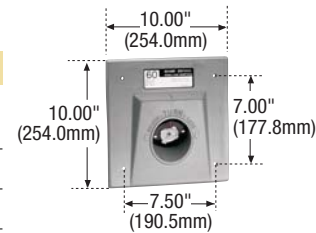
- Fiberglass reinforced nylon interior.
- 12" (304.8mm), #6 AWG Wire Leads.

Receptacles – Stainless Steel Plate Assembly

Rating		Description	Color	Catalog No.
A	V/AC			
50	250	Receptacle and plate	Stainless steel	25505
60	250	Receptacle and plate	Stainless steel	25605

Receptacles – Cast Aluminum Plate Assembly

Rating		Description	Color	Catalog No.
A	V/AC			
50	250	Receptacle and plate	Gray	25503
60	250	Receptacle and plate	Gray	25603



25603

Hospital Use Power-Lock® Plugs

FEATURES

- Fiberglass reinforced nylon interior.
- Pressure type terminals.
- Gray epoxy finish provides insulated shell.

Plugs – Back Wired "Dead-Front" Design

Rating		Description	Cord Diameter	Color	Catalog No.
A	V/AC				
50	250	Less epoxy kit	0.750" (19.1mm) - 1.250" (31.8mm)	Gray	25525 Δ
		With epoxy kit	0.750" (19.1mm) - 1.250" (31.8mm)	Gray	25515* Δ
60	250	Less epoxy kit	0.750" (19.1mm) - 1.250" (31.8mm)	Gray	25625
		With epoxy kit	0.750" (19.1mm) - 1.250" (31.8mm)	Gray	25615*



25515

Hospital Use Power-Lock® Wall Box

FEATURES

- Accommodates 50A or 60A receptacles.
- Gray enamel finish.
- KO sizes 1.25" (31.85mm), 1.50" (38.1mm) and 2" (50.8mm).

Wall Box – Stamped Steel

Description	Color	Catalog No.
Wall Box	Gray	25509

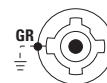
*Epoxy kit is used to fill air spaces in plug after wiring, to prevent entrance of moisture, dirt and gases.
Δ Fits both 50A and 60A X-ray receptacles.



25509



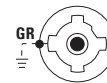
PLUG
50A 250V



RECEPTACLE
50A 250V



PLUG
60A 250V



RECEPTACLE
60A 250V

INDUSTRIAL
COMMERCIAL

E-60
LOCKING
DEVICES

TESTING & CODE COMPLIANCE

· Listed to UL 498 for receptacle assemblies (file no. E2369), for plugs (file no. E3663) 25509 is not UL Listed.

MATERIAL CHARACTERISTICS

Nylon, Glass Filled Environmental:
Flammability per UL94 requirements.
VO rated.
Temperature Rating:
-40°C to 105°C.



Industrial Specification Grade Power-Lock® Devices

2 Pole, 3 Wire Grounding
20A 125V/AC
3 Pole, 3 Wire Non-Grounding
20A 125V/AC
10A 250V/DC 480V/AC

20 Amp Power-Lock® Receptacle – Binding Screw Type for Back & Side Wiring

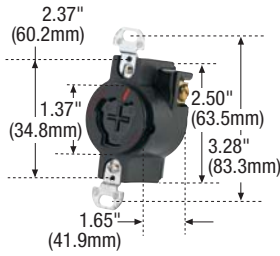
FEATURES

- Fiberglass reinforced nylon body suitable for 105°C/221°F.
- Fits all standard single receptacle plates.

Receptacles – 20 Amp Power-Lock®

Rating	A	V/AC	Configuration	Description	Color	Catalog No.
20	125	2 Pole, 3 Wire	Standard	Standard	Black	23030
				Hospital Use	Black	23050
20	125	3 Pole, 3 Wire	Standard	Standard Grounding	Black	23000
					Black	23000G*

*23000G is not UL listed and is for replacement use only.



23050

20 Amp Safety Grip™ Plugs and Connectors

FEATURES

- Nylon shell resists breakage in high abuse areas.
- Enclosed wiring compartment with tapered channels provide easy insertion of wires.
- Dual range cord grip secures small or large diameter cords.

20 Amp Safety Grip™ Plugs and Connectors

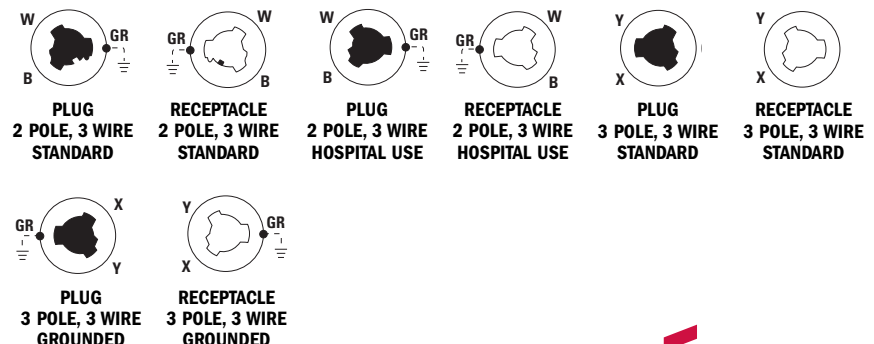
Rating	A	V/AC	Description	Cord Diameter	Color	Plug	Connector
20	125	2 Pole, 3 Wire	Standard	0.250" (6.4mm) - 0.656" (16.7mm)	Gray	23035N	23032N
						Hospital Use	23056N
			Hospital Use Armored	23056	23054		
20*	125	3 Pole, 3 Wire	Standard	0.250" (6.4mm) - 0.656" (16.7mm)	Gray	23005N	23002N

*Also rated at 10A for 250V/DC and 480V/AC

Lift Lid Cover

Description	Catalog No.
Die-cast aluminum lift lid cover with weathertight gasket	23007*

*UL Listed (file no. E2458)



INDUSTRIAL COMMERCIAL

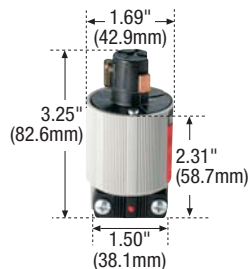
E-61 LOCKING DEVICES

TESTING & CODE COMPLIANCE

· Listed to UL 498, Receptacles: (file no. E2369) except where noted. Plugs & Connectors: (file no. E3663). · CSA Certified to C22.2 no. 42 (file no. LR7087).

MATERIAL CHARACTERISTICS

Receptacles: Glass filled Nylon & phenolic. Plugs & Connectors: Glass filled nylon Environmental: Flammability per UL 94 requirements: Receptacles VO rated. Temperature Rating: -40°C to 105°C.



23035N



23032N

Industrial Specification Grade Power-Lock® Devices

**3 Pole, 4 Wire Grounding
30A, 480V/AC**
**3 Pole, 4 Wire Grounding
30A, 600V/AC 20A, 250V/DC**
**4 Pole, 5 Wire Grounding
30A, 600V/AC 20A, 250V/DC**



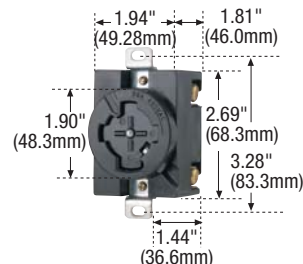
30A Receptacles – Binding Screw Type for Back & Side Wiring

FEATURES

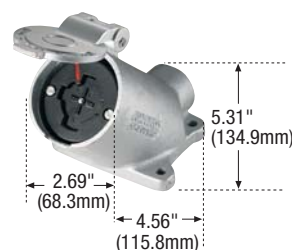
- Fiberglass reinforced nylon body suitable for 105°C/221°F.
- Standard receptacles fit all standard single receptacle plates.
- 21420 side angle tapped for 0.75" (19.1mm) pipe thread attachment.
- 5 wire receptacles mount on FS or FD boxes.
- All 30A 600V/AC devices are also approved for 20A 250V/DC applications.

Receptacles – 30 Amp Power-Lock®

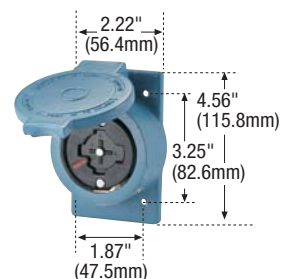
Rating A	V/AC	Configuration	Description	Color	Catalog No.
30	480	3 Pole, 4 Wire	Standard	Black	20443N*
30/20	600/250 DC	3 Pole, 4 Wire	Standard	Black	20403N
			Cast aluminum cover with weather protective lift lid	Black	21420*
30/20	600/250 DC	4 Pole, 5 Wire	Cast Iron cover and steel shell	Black	25403
			Cast aluminum cover with weather protective lift lid	Black	25250*



20443N



21420



25250

*Not CSA certified.

INDUSTRIAL
COMMERCIAL

E-62
LOCKING
DEVICES

TESTING & CODE COMPLIANCE

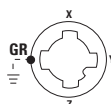
- Listed to UL 498 (file no. E2369), Weather protective lids listed to UL 514A (file no. E2369).
- CSA certified to C22.2 no. 42 (file no. LR7087) except as noted.
- Weather protective lids cUL listed to CSA C22.2 no. 18 (file no. E2369).

MATERIAL CHARACTERISTICS

Glass filled nylon & phenolic
 Environmental:
 Flammability per UL 94 requirements:
 VO rated.
 Temperature Rating:
 -40°C to 105°C.



**RECEPTACLE
3 POLE, 4 WIRE
30A 480V/AC**



**RECEPTACLE
3 POLE, 4 WIRE
30A 600V/AC
20A 250V/DC**



**RECEPTACLE
4 POLE, 5 WIRE
30A 600V/AC**



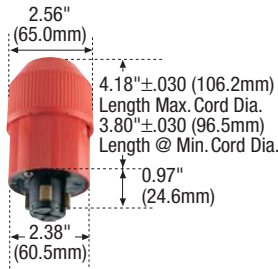
Industrial Specification Grade Power-Lock® Devices

3 Pole, 4 Wire Grounding
30A, 480V/AC
3 Pole, 4 Wire Grounding
30A, 600V/AC 20A, 250V/DC
4 Pole, 5 Wire Grounding
30A, 600V/AC 20A, 250V/DC

30A Autogrip™ Locking Plugs and Connectors

FEATURES

- Autogrip™ version has Nylon/Thermoplastic construction for totally insulated outer shell for added safety.
- Glass filled nylon interior rated at 105°C/221°F continuous use.
- Internal Autogrip cord grip provides faster installation, superior cord retention and strain relief.
- Tapered wiring channels provide easy insertion of wires and prevent shorting of stray wires.
- Back wired, Dead-Front construction.



20445N



20444N



20414N

30 Amp Plugs and Connectors

Rating A	V/AC	Configuration	Description	Cord Dia.	Color	Catalog No.	
						Plug	Connector
30	480	3 Pole, 4 Wire	Nylon Autogrip	0.400" (10.2mm) - 1.062" (27.0mm)	Red	20445N*	20444N*
30/20	600/250 DC	3 Pole, 4 Wire	Nylon Autogrip	0.400" (10.2mm) - 1.062" (27.0mm)	Gray	20415N*	20414N*
30/20	600/250 DC	4 Pole, 5 Wire	Nylon Autogrip	0.400" (10.2mm) - 1.062" (27.0mm)	Blue	25415N	25414N

*Not CSA approved

INDUSTRIAL
COMMERCIAL

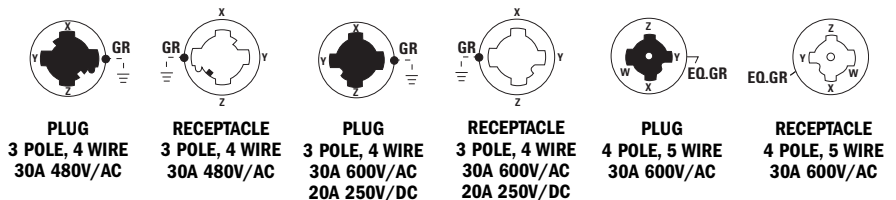
E-63
LOCKING
DEVICES

TESTING & CODE COMPLIANCE

- Listed to UL 498, (file no. E3663).
- CSA Certified to C22.2 no. 42 (file no. LR7087) except as noted.

MATERIAL CHARACTERISTICS

Glass filled nylon.
 Temperature Rating:
 -40°C to 105°C.



Industrial Specification Grade Power-Lock® Devices

**3 Pole, 4 Wire Grounding
30A, 480V/AC**
**3 Pole, 4 Wire Grounding
30A, 600V/AC 20A, 250V/DC**
**4 Pole, 5 Wire Grounding
30A, 600V/AC 20A, 250V/DC**



INDUSTRIAL
COMMERCIAL

E-64 LOCKING DEVICES

TESTING & CODE COMPLIANCE

- Listed to UL 498, (file no. E3663).
- CSA Certified to C22.2 no.42 (file no. LR7087) except as noted.

MATERIAL CHARACTERISTICS

Glass filled Nylon.
Temperature Rating:
-40°C to 105°C.

30A Armored Locking Plugs and Connectors

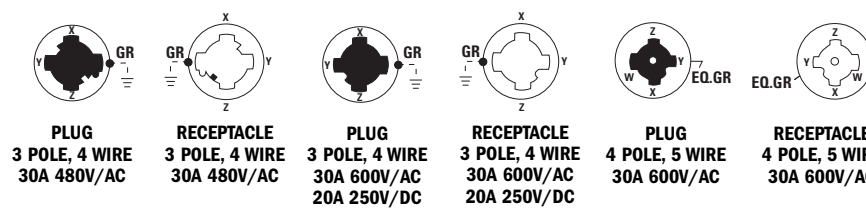
FEATURES

- Armored version has rugged epoxy coated steel shell for extra ruggedness and shock protection.
- Glass filled nylon interior rated at 105°C/221°F continuous use.
- External armored cord grip provides strain relief on armored devices.
- Tapered wiring channels provide easy insertion of wires and prevent shorting of stray wires.
- Back wired, Dead-Front construction.

Rating		Configuration		Description		Catalog No.	
A	V/AC			Cord Dia.	Color	Plug	Connector
30	480	3 Pole, 4 Wire	Armored	0.484" (12.33mm) - 0.609" (15.5mm)	Red	20445†	20444†
30/20	600/250 DC	3 Pole, 4 Wire	Armored*	0.562" (14.3mm) - 1.00" (25.4mm)	Metallic	20415	20414
						20415S**	—
			Armored*	0.360" (9.1mm) - 0.484" (12.33mm)	Metallic	21415	21414
			Armored*	0.484" (12.3mm) - 0.750" (19.1mm)	Metallic	21426	21427
						21426S**	—
			Armored	0.750" (19.1mm) - 1.000" (25.4mm)	Metallic	21443	21442
30/20	600/250 DC	4 Pole, 5 Wire	Armored#	0.50" (12.7mm) female	Metallic	21435†	21433†
			Armored#	0.75" (19.1mm) female	Metallic	21436†	21434†
			Armored	0.625" (15.9mm) - 1.00" (25.4mm)	Blue	25415	25414



*With sliding rubber cord grip.
 **Plugs with "S" suffix have a special mounting stud used in automotive welding applications.
 †Not CSA approved.
 #With pipe thread attachment.





Industrial Specification Grade Locking Devices

3 Pole, 4 Wire Grounding
30A, 600V/AC 20A, 250V/DC
4 Pole, 5 Wire Grounding
30A, 600V/AC 20A, 250V/DC

30 Amp Inlets and Outlets

FEATURES

- Fiberglass reinforced interior on all flanged devices provides 105°C/221°F temperature rating.
- Phenolic interior on 20418 and 25418.
- Rugged steel shell.

INDUSTRIAL COMMERCIAL

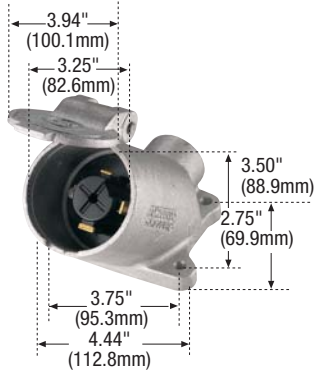
E-65 LOCKING DEVICES

TESTING & CODE COMPLIANCE

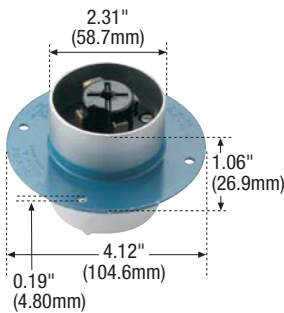
- Listed to UL 498, Outlets: (file no. E2369). Inlets: (file no. E3663).
- 20418 listed to (file no. E1706).
- CSA Certified to C22.2 no. 42 (file no. LR7087) except 20418 (file no. LR280-C) except as noted.
- Weather protective lid listed to UL 514A and cUL Certified to CSA C22.2 no. 18 (file no. E3663).

MATERIAL CHARACTERISTICS

Environmental:
 Flammability per UL 94 requirements,
 Temperature Rating:
 VO rated.
 -40°C to 105°C, except 20418:
 -40°C to 75°C.



21447



25416



25418

Flanged and Regular Inlets and Outlets

Rating	V/AC	Configuration	Type	Description	Catalog No.
30/20	600/250 DC	3 Pole, 4 Wire	Surface Mount Inlet	Die-cast aluminum with weather protective lift lid, tapped for 0.75" (19.1mm) pipe thread	21447
			Inlet	For FD and FS Boxes	20418
30/20	600/250 DC	4 Pole, 5 Wire	Flanged Inlet	With 4.125" (104.8mm) round flange and cord grip for 0.062" (15.9mm) - 1.00" (25.4mm) diameter	25416*
			Inlet	For FD and FS Boxes	25418*
			Flanged Outlet	With 4.125" (104.8mm) round flange and cord grip for 0.062" (15.9mm) - 1.00" (25.4mm) diameter	25406

*Not CSA listed.



PLUG 3 POLE, 4 WIRE 30A 480V/AC	RECEPTACLE 3 POLE, 4 WIRE 30A 480V/AC	PLUG 3 POLE, 4 WIRE 30A 600V/AC 20A 250V/DC	RECEPTACLE 3 POLE, 4 WIRE 30A 600V/AC 20A 250V/DC	PLUG 4 POLE, 5 WIRE 30A 600V/AC	RECEPTACLE 4 POLE, 5 WIRE 30A 600V/AC
--	--	---	---	--	--

Industrial Specification Grade Power-Lock® Devices



INDUSTRIAL
COMMERCIAL

E-66
LOCKING
DEVICES

TESTING & CODE COMPLIANCE

Weather protective lids:
20416D and 20417N:
Listed to UL 514A
(file no. E92122).
20446N and 20416N:
Listed to UL 514C,
(file no. E2458).
· cUL Listed to CSA
C22.2 no. 18.
20416D and 20417N:
(file no. E92122).
20446N and 20416N:
(file no. E2458).

Power Grips for 30 Amp Power-Lock® Units

FEATURES

- Full length double weave stainless steel mesh for maximum strength. Units with stand 1,000 pound (4448 newtons) pull test.
- Turned aluminum fitting and washers contain mesh securely on assembly.
- Sturdy steel adapter ring is cadmium plated for corrosion resistance.
- Assembly instructions supplied with each "Power Grip".

Directions:

1. Locate nearest size of cable in "Nominal Grip Diameter" column.
2. Check "Grip Diameter Range" column and select number closest to cable diameter.

Wire Mesh Grips for 30 Amp Power-Lock®

Nominal Grip Diameter	Grip Diameter Range	Catalog No.
0.44" (11.2mm)	0.375" (9.5mm)-0.500" (12.7mm)	PG-300
0.56" (14.2mm)	0.500" (12.7mm)-0.625" (15.9mm)	PG-301
0.69" (17.5mm)	0.625" (15.9mm)-0.750" (19.1mm)	PG-302
0.81" (20.6mm)	0.750" (19.1mm)-0.875" (22.2mm)	PG-303
0.94" (23.9mm)	0.875" (22.2mm)-1.00" (25.4mm)	PG-304

Power grips can be used on the following Catalog Nos.:

21415, 21426, 21443, 21414, 21427, 21442, 20445, 20444.

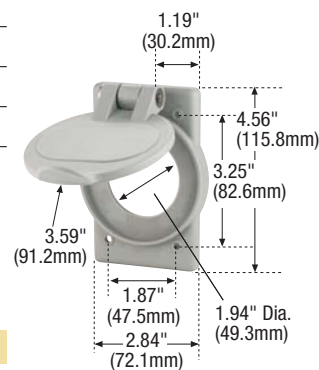
Plates for 30 Amp Power-Lock® Receptacles

Plates for 30 Amp Power-Lock® Receptacles

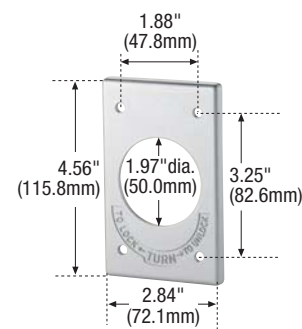
Description	Catalog No.
Red glass filled nylon with weather protective lift lid cover and gasket	20446N
Die cast aluminum with weather protective lift lid cover and gasket	20416D
Gray glass filled nylon with weather protective lift lid cover and gasket	20416N
Die cast aluminum cover less lid and gasket	20417N



PG-300



20416N



20417N



Industrial Specification Grade 60 Amp Power-Lock® Locking Receptacles

**3 Pole, 4 Wire Grounding
60A, 600V/AC**
**4 Pole, 5 Wire Grounding
60A, 600V/AC**

60 Amp Power-Lock® Receptacles with Weather Protective Lid

FEATURES

- Fiberglass reinforced nylon interiors.
- Designed for direct panel mounting, wiring troughs or surface type installation.
- If desired for 45° use Catalog No. 26404 adapter.
- Outlet enclosures may be rotated at 90°.
- 26421 and 26521 side angle tapped for 1.50" (38.1mm) pipe thread attachment.



26420



26421

60 Amp Power-Lock® Receptacles

Rating		Configuration	Description	Color	Catalog No.
A	V/AC				
60	600	3 Pole, 4 Wire	Cast aluminum with weather protective lift lid	Black	26420
			Cast aluminum with weather protective lift lid	Black	26421*
60	600	4 Pole, 5 Wire	Cast aluminum with weather protective lift lid	Black	26520
			Cast aluminum with weather protective lift lid	Black	26521*

*Not CSA listed

INDUSTRIAL
COMMERCIAL

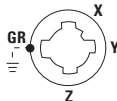
E-67
LOCKING
DEVICES

TESTING & CODE COMPLIANCE

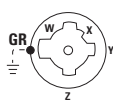
- Listed to UL 498 (file no. E2369)
- CSA Certified to C22.2 no. 42 (file no. LR7087) except as noted.
- Weather protective lids UL Listed to UL 514A and cUL Certified to CSA C22.2 no. 18 (file no. E2369).

MATERIAL CHARACTERISTICS

Glass filled nylon.
Meets flammability requirements per UL94, VO rated.
Temperature Rating: -40°C to 105°C.



**RECEPTACLE
3 POLE, 4 WIRE
60A 600V/AC**



**RECEPTACLE
4 POLE, 5 WIRE
60A 600V/AC**

Industrial Specification Grade 60 Amp Power-Lock® Locking Devices

**3 Pole, 4 Wire Grounding
60A, 600V/AC**
**4 Pole, 5 Wire Grounding
60A, 600V/AC**



INDUSTRIAL
COMMERCIAL

E-68

LOCKING
DEVICES

TESTING & CODE COMPLIANCE

- Listed to UL 498 (file no. E3663).
- CSA Certified to C22.2 no. 42 (file no. LR7087) except as noted.

MATERIAL CHARACTERISTICS

Glass filled nylon.
Meets flammability requirements per UL94, VO rated.
Temperature Rating:
-40°C to 105°C.

60 Amp Plugs and Connectors

FEATURES

- Fiberglass reinforced nylon interiors.
- Rugged armored design consisting of steel outer shell.
- External armored cord grip provides cable strain relief.
- Exposed parts are epoxy coated for maximum insulation and corrosion resistance.
- Tapered wiring channels provide easy insertion of wires and prevent shorting of stray wires.

Plugs and Connectors, Back Wired "Dead-Front" Design

Rating A	V/AC	Configuration	Description	Cord Dia.	Color	Catalog No.	
						Plug	Connector
60	600	3 Pole, 4 Wire	Standard	0.750" (19.1mm) - 1.250" (31.8mm)	Yellow	26415	26414
			Standard with rubber bushing in cable clamp	0.750" (19.1mm) - 1.250" (31.8mm)	Yellow	26426*	26427*
60	600	4 Pole, 5 Wire	Standard	0.750" (19.1mm) - 1.250" (31.8mm)	Yellow	26515	26514
			Standard with rubber bushing in cable clamp	0.750" (19.1mm) - 1.250" (31.8mm)	Yellow	26526*	26527*
Accepts ring terminals						26515AM#	

*Three sizes rubber bushings supplied standard.

#Not CSA certified.

**Plugs with an "S" suffix have special mounting stud used in automotive welding applications.



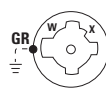
PLUG
3 POLE, 4 WIRE
60A 600V/AC



CONNECTOR
3 POLE, 4 WIRE
60A 600V/AC



PLUG
4 POLE, 5 WIRE
60A 600V/AC



CONNECTOR
4 POLE, 5 WIRE
60A 600V/AC



26415



26414



26427



26426



Industrial Specification Grade Power-Lock® Locking Devices

**3 Pole, 4 Wire Grounding
60A, 600V/AC**
**4 Pole, 5 Wire Grounding
60A, 600V/AC**

60 Amp Flanged Inlets and Outlets

FEATURES

- Fiberglass reinforced interior provides 105°C/221°F temperature rating.
- Rugged steel shell.



Flanged Inlets and Outlets

Rating	V/AC	Configuration	Description	Cord Dia.	Color	Catalog No.
60	600	3 Pole, 4 Wire	Inlet	0.750" (19.1mm) - 1.250" (31.8mm)	Black	26415A
			Outlet	0.750" (19.1mm) - 1.250" (31.8mm)	Black	26414A
60	600	4 Pole, 5 Wire	Inlet	0.750" (19.1mm) - 1.250" (31.8mm)	Black	26515A
			Outlet	0.750" (19.1mm) - 1.250" (31.8mm)	Black	26514A
			Outlet accepts ring terminals	0.750" (19.1mm) - 1.250" (31.8mm)	Black	26514AAM#

#Not CSA certified.

INDUSTRIAL
COMMERCIAL

E-69
LOCKING
DEVICES

TESTING & CODE COMPLIANCE

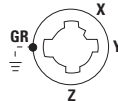
- Listed to UL 498 (file no. E3663).
- CSA Certified to C22.2 no. 42 (file no. LR7087) except as noted.

MATERIAL CHARACTERISTICS

Glass filled nylon. Meets flammability requirements per UL94, VO rated. Temperature Rating: -40°C to 105°C.



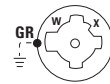
INLET
3 POLE, 4 WIRE
60A 600V/AC



OUTLET
3 POLE, 4 WIRE
60A 600V/AC



INLET
4 POLE, 5 WIRE
60A 600V/AC



OUTLET
4 POLE, 5 WIRE
60A 600V/AC

Weather Protective Covers and Grips for 60 Amp Power-Lock® Locking Devices



INDUSTRIAL
COMMERCIAL

E-70
LOCKING
DEVICES

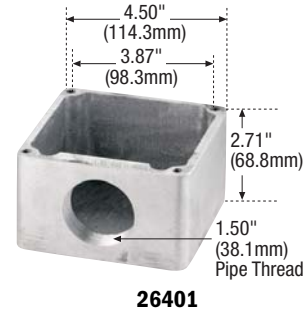
Box, Cover & Angle Adapter for 60 Amp Power-Lock® Receptacles

FEATURES

- Cast aluminum.
- For use with 26420 and 26520 receptacles.

Box, Cover & Angle Adapter

Description	Catalog No.
Box only for use with 26404 angle adapter	26401
Cover only for 26401 box	26402
Box and cover complete	26400
45° angle adapter	26404



Power Grips for 60 Amp Power-Lock® Units

FEATURES

- Full length double weave stainless steel mesh for maximum strength. Units withstand 1,000 pound (4448 newtons) pull test.
- Turned aluminum fitting and washers contain mesh securely on assembly.
- Sturdy steel adapter ring is cadmium plated for corrosion resistance.
- Assembly instructions supplied with each "Power Grip".

Directions:

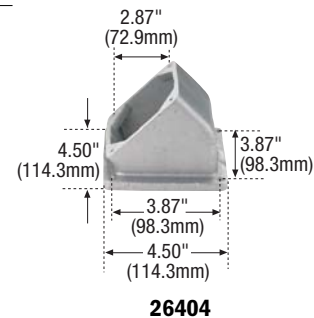
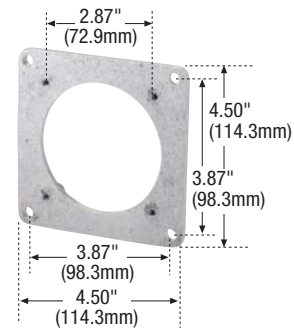
1. Locate nearest size of cable in "Nominal Grip Diameter" column.
2. Check "Grip Diameter Range" column and select number closest to cable diameter.

Wire Mesh Grips for 60 Amp Power-Lock

Nominal Grip Diameter	Grip Diameter Range	Catalog No.
1.062" (27.0mm)	1.00"-1.125" (25.4mm-28.6mm)	PG-600 †
1.062" (27.0mm)	1.00"-1.125" (25.4mm-28.6mm)	PG-601*

† For use with Power-Lock Catalog Nos. 26415, 26414, 26515, 26514

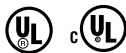
* For use with Power-Lock Catalog Nos. 26426, 26427, 26526, 26527





INDUSTRIAL
COMMERCIAL

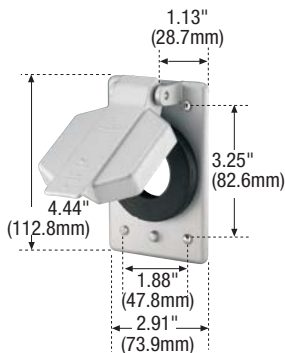
E-71
LOCKING
DEVICES



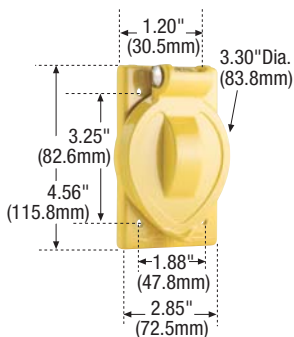
Weather Protective Covers for Hart-Lock® Locking Devices



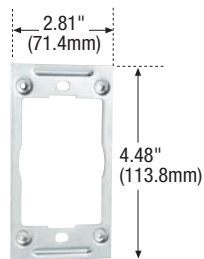
WLRD1



WLRS1



7420CR



7349



WP1

Weather Protective Covers

FEATURES

- WLRD1 and WLRS1 are UL Listed, wet location covers closed and damp locations cover open or closed.
- UL Listed, damp location cover open (with plug inserted) and wet location with cover closed.
- Receptacle covers are designed for use with FS/FD boxes.
- Self closing spring door assures full protection.
- WLRD1 and WLRS1 consist of die cast copper free aluminum with epoxy finish for maximum corrosion resistance.
- EPDM gasketing material on WLRD1 and WLRS1 provide excellent resistance to ozone, weathering and temperatures from -50°F to 260°F (-46°C to 127°C).
- All receptacle covers consist of die cast aluminum.
- For full list of weather proof covers, refer to Catalog Section "N: Weather Protective Devices".

Weather Protective Covers

Description	Catalog No.
Duplex receptacle cover, horizontal mounting.	WLRD1#
Single receptacle cover, vertical mounting, 1.38" (34.9mm) face diameter.	WLRS1#
Single receptacle cover, vertical mounting, 1.56" (39.62mm) face diameter	WLR2#
Adapter, flush mounts above covers to standard boxes.	WLRA1
Duplex receptacle cover, vertical mounting.	7879FS†
Duplex receptacle cover, vertical mounting, yellow corrosion resistant.	7879FSCR†
Single receptacle cover, vertical mounting, 1.38"-1.56" (34.9mm-39.7mm) face diameter.	7420†
Single receptacle cover, vertical mounting, 1.38" -1.56" (34.9mm-39.7mm) face diameter, yellow corrosion resistant finish.	7420CR†
Adapter, flush mounts above covers to standard boxes.	7349
Glass reinforced nylon cover for 15A flanged inlets and outlets.	WP1*
Glass reinforced nylon cover for 20A and 30A flanged inlets and outlets.	WP2*

*Listed to UL 514C (file no. E2458) and CSA listed to C22.2 no. 18 (file no. LR7289).

#Listed to UL 514A (file no. E15022).

†Listed to UL 514A, cUL Listed to CSA C22.2 no. 18 (file no. E92122).

Weather Protective Boots for Hart-Lock® and Power-Lock® Locking Devices

For Plugs and Connectors



INDUSTRIAL
COMMERCIAL

E-72 LOCKING DEVICES

Weather Protective Boots

FEATURES

- UL Listed to I.E.C. 529.
- Neoprene resists oil, grease, acids and has long life properties.
- Flexible and easy to apply to plug or connector.
- Cord hole opening can be cut away for large diameter cords.
- Carries IP55 environmental rating when proper boot is applied to mating plug and connector.

Weather Protective Boots

Description	Catalog No.
Boot for 15 amp Hart-Lock® plugs when used with mating receptacle, outlet or connector (with BS2 boot) and connector when used with inlet.	BS1
Boot for 15 amp Hart-Lock® connector when used with mating plug (with BS1 boot)	BS2
Fits all 20 & 30 amp 3-wire Hart-Lock® plugs when used with connector equipped with BM2, receptacle or outlet, all 20 & 30 amp 3-wire Hart-Lock® connectors when used with inlet	BM1
Fits all 20 & 30 amp 3-wire Hart-Lock® connectors when used with mating plug equipped with BM1	BM2
Fits all 4 and 5 wire Hart-Lock® plugs when used with connector equipped with BL2 receptacle or outlet, 4 and 5 wire Hart-Lock® connectors when used with inlets	BL1
Fits all 4 and 5 wire Hart-Lock® connectors when used with mating plug equipped with BL1	BL2
For 50A plug when used with receptacle, or for 50A connector when used with inlet or plug with 7717 boot.	7716
For 50A connector when used with 50A plug with 7716 boot.	7717
For 50A connector when used with a hull inlet.	77CR15
Short neoprene boot for midsize plugs	74CM40
For 20A Power-Lock® plugs when used with mating receptacle outlet or connector (with 23025 boot) and connector when used with inlet	23024
For 20A Power-Lock® connector when used with mating plug (with 23024 boot)	23025



BS1



BM1



BM2

TESTING & CODE COMPLIANCE

- Listed to UL 514C.
- cUL Certified to CSA c22.2 no. 18 (file no. E2458).

MATERIAL CHARACTERISTICS

Neoprene.
Temperature Rating:
-40°C to 107°C.



Industrial Specification Grade Weather Protective Hart-Lock® Locking Device Switch Enclosure

For 20A or 30A, 125-600V
Hart-Lock® Flanged Outlets

Switched Industrial Specification Grade Hart-Lock® Enclosure with Manual Disconnect Switch

The Switched Hart-Lock Enclosure is a rain-proof, dust-tight enclosure, with a HP rated switch. Add any 20A or 30A Hart-Lock® flanged outlet to provide dedicated local

power control. This eliminates the need for installation of a switch and receptacle in separate enclosures.

INDUSTRIAL
COMMERCIAL

E-73 LOCKING DEVICES

TESTING & CODE COMPLIANCE

- Listed to UL 508 - Industrial Control Equipment;
- UL 498 - Plugs & Receptacles: (file no. E135083)
- CSA C22.2 no. 14 (file no. LR95585C).
- Enclosure: NEMA/Canadian Type 3R, 12.
- Current Interrupting: Certified for current interrupting at full rated current and voltage.
- Short Circuit Withstand Rating: Switch suitable for use on a circuit capable of delivering not more than 10,000 RMS symmetrical Amperes at the voltage rating of the receptacle installed.

MATERIAL CHARACTERISTICS

- Enclosure, cover and cover screws: Polycarbonate
- Rotary handle: Nylon Flip lid cover: Reinforced Nylon.
- Temperature Rating: -40° to 75°C.



SE6000

FEATURES

- Impact and corrosion-resistant thermo-plastic enclosure for long-term reliability.
- Heavy-duty disconnect switch is horsepower rated for motor load applications and is field replaceable.
- Continuous poured-in place cover gasket assures the NEMA 3R, 12 rating. Gasket cannot be left out or easily damaged during installation.
- HP-rated switch can be locked in the "off" position to help comply with OSHA lockout/tagout requirements.
- 3R, 12 enclosure for rainproof or dust-tight applications.
- Supplied with 0.75" (19.1mm) liquid tight hub and grounding lug for top or bottom entry.
- Captive stainless steel cover mounting screws.
- Hinged enclosure cover for easy wiring.
- Self-closing lift lid cover with neoprene gasket provides weatherproof protection.
- Field installable auxiliary contacts for control circuit applications.
- Easy to operate, gasketed nylon rotary handle is clearly marked for ON/OFF indication.

Hart-Lock® Switched Enclosure without Outlet

Maximum Switch Rating*	Catalog No.
30A 600V/AC	SE6000

*Ratings are dependent on Hart-Lock flanged outlet installed. Outlets ordered separately.

Industrial Specification Grade Hart-Lock® Locking Device Switch Enclosure

For 20A or 30A, 125-600V
Hart-Lock® Flanged Outlets



INDUSTRIAL
COMMERCIAL

E-74 LOCKING DEVICES

TESTING & CODE COMPLIANCE

- Listed to UL 508 - Industrial Control Equipment:
- UL 498 - Plugs & Receptacles: (file no. E135083)
- CSA C22.2 no. 14 (file no. LR95585C).

Enclosure:
NEMA/Canadian Type 3R, 12.
Current Interrupting:
Certified for current interrupting at full rated current and voltage.
Short Circuit
Withstand Rating:
Switch suitable for use on a circuit capable of delivering not more than 10,000 RMS symmetrical Amperes at the voltage rating of the receptacle installed.

MATERIAL CHARACTERISTICS

Enclosure, cover and cover screws:
Polycarbonate
Rotary handle:
Nylon
Flip lid cover:
Reinforced Nylon.
Temperature Rating:
-40° to 75°C.

Switched Industrial Specification Grade Hart-Lock® Enclosure with Manual Disconnect Switch

Hart-Lock® Flanged Outlets

Rating	Outlet HP Rating	Catalog No. Outlet
L5-20	1	CWL520FO
L6-20	2	CWL620FO
L5-30	1	CWL530FO
L6-30	2	CWL630FO
L14-20	2	CWL1420FO
L15-20	2	CWL1520FO
L14-30	2	CWL1430FO
L15-30	3	CWL1530FO
L16-30	10	CWL1630FO
L21-20	2	CWL2120FO
L21-30	2.5	CWL2130FO

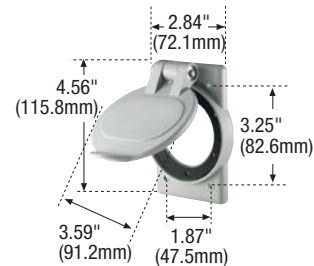
Accessories

Ratings	Description	Catalog No.
10A 600V	Auxiliary Contacts; 1 NO, 1 NC	AH20AUX
30A 600V	Replacement Switch	SE30RS
—	Replacement Lift Lid Cover	WP2



* 3 holes, 0.19"(4.8mm) dia.,
equally spaced on 2.69"(68.3mm)
dia. bolt circle

CWL1420FO



WP2