

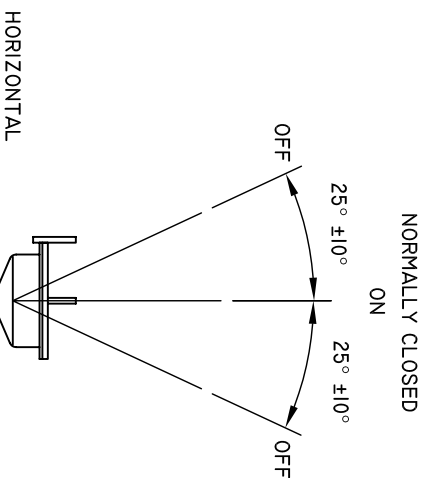
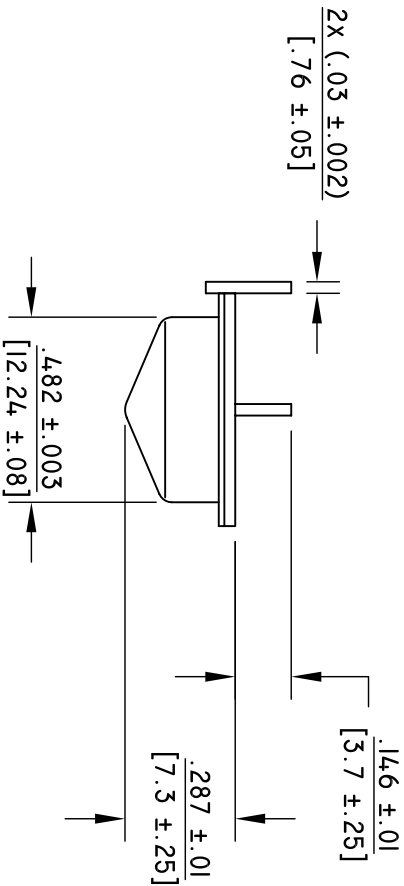
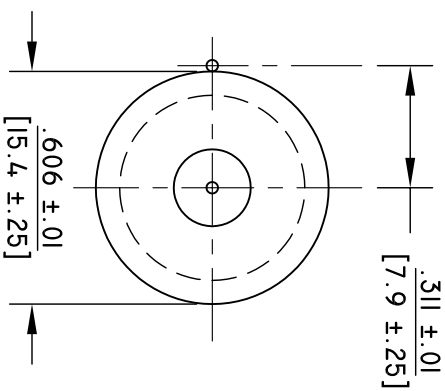
DRAWING #: CW1725-1

ENVIRONMENTALLY FRIENDLY MOTION SENSOR. CONTAINS NO HAZARDOUS MATERIALS.

NOTES:

1. ELECTRICAL
 - 1.1 CONTACT CAPACITY: 60 VOLTS MAX., .25 AMPS MAX., 3 VA. MAX.
 - 1.2 CONTACT RESISTANCE 30 OHMS MAX. AT 5 VDC.
2. OPERATE
 - 2.1 BREAK ANGLE 25° ±10°
 - 2.2 REMAKE ANGLE 8° MIN.
 - 2.3 OPERATING TEMPERATURE RANGE -37 TO 100 DEG. C.
3. EXTERNAL FINISH
 - 3.1 TIN PLATED.

REV.	DATE	REVISION DESCRIPTION	DR.
B	10/29/99	UPDATE TO ISO 9000	S.H.
C	11/17/04	SEE ECN 2004-212	R.F.
D	10/25/06	SEE ECN 2006-053	L.L.
F	04/12/07	SEE ECN 2007-091	L.L.



U.S. PATENT NUMBERS 5,209,343 AND 5,332,876

454 ALLWOOD ROAD, CLIFTON, NEW JERSEY 07012

COMUS INTERNATIONAL

TEL. (973) 777-6900

ENGINEERING		
QUALITY		
PRODUCTION		
APPROVAL	SIGNATURE	DATE

UNSPECIFIED TOLERANCES		REF.:	SCALE:	DRAWN BY:	DATE
DECIMAL: .XX ±.01 [.254]			2:1	S.H.	10/29/99
FRACTIONAL: ± 1/64 [.397]		TITLE: TIP OVER SWITCH-NORMALLY CLOSED			
ANGULAR: ± 1/2°		TYPE:		DRAWING #: CW1725-1	