
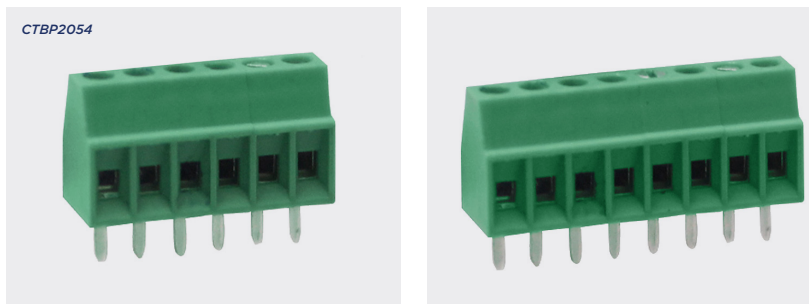


# 2.54mm pitch rising clamp terminal blocks

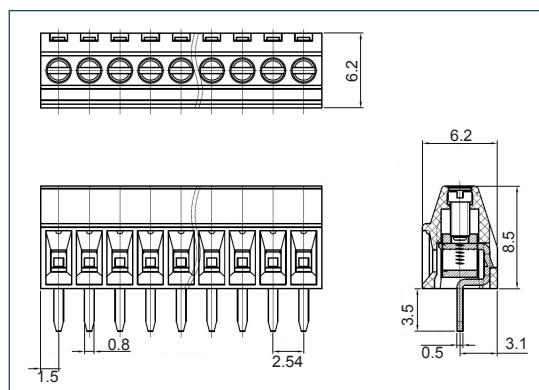
## Product overview

- 2-12 pole solid block
- Professional rising clamp terminals
- Low profile
- Moulded in green UL94-V0 flame retardant PA66
- Cable acceptance - 0.4 to 1mm<sup>2</sup> (26-18AWG) solid and stranded cable
- Guided pin alignment
-  approved



SPECIFICATION	
Rating	UL=6A/150V, IEC=8A/130V
Insulation resistance	500MΩ/500V
Withstand voltage	AC 1300V/1min
Contact resistance	20mΩ (max)
Working temperature	-40°C to +105°C
Moulding	UL94-V0, flame retardant PA66
Pin/terminal	Brass, tin plated
Rising clamp	Brass, Ni plated
Screw	M1.6 steel, zinc plated/0.1Nm
Recommended PCB hole size	1.0mm

PART NO.	POLES	LENGTH
CTBP2054/2	2	5.54mm
CTBP2054/3	3	8.08mm
CTBP2054/4	4	10.62mm
CTBP2054/5	5	13.16mm
CTBP2054/6	6	15.70mm
CTBP2054/7	7	18.24mm
CTBP2054/8	8	20.78mm
CTBP2054/9	9	23.32mm
CTBP2054/10	10	25.86mm
CTBP2054/11	11	28.40mm
CTBP2054/12	12	30.94mm



## KEY FEATURES

Professional rising clamp | Space saving profile | Flame retardant PA66

