

# PCB TERMINAL BLOCKS

## 7.5mm Pitch Standard Profile Rising Clamp Terminal Blocks

PCB  
TERMINAL  
BLOCKS

INTER-  
CONNECTION

FUSES &  
FUSE-  
HOLDERS

LEDs &  
INDICATORS

MINIATURE  
SWITCHES

LIMIT &  
SAFETY  
SWITCHES

CONTROL  
PRODUCTS

INTERFACE  
MODULES &  
SUPPORTS


RELAY  
BASES

DIN RAIL  
ENCLOSURES

BATTERIES

SOLAR  
PANELS

TRANS-  
FORMERS

- 2 & 3 pole double interlocking mechanism for increased strength
- 4-12 pole solid block
- Moulded in green UL94-V0 flame retardant PA66
- Professional rising clamp terminals
- 0.2-4.0mm<sup>2</sup> (30-12AWG) solid cable
- 0.2-2.5mm<sup>2</sup> (30-12AWG) stranded cable
- Guided pin alignment
-  approved

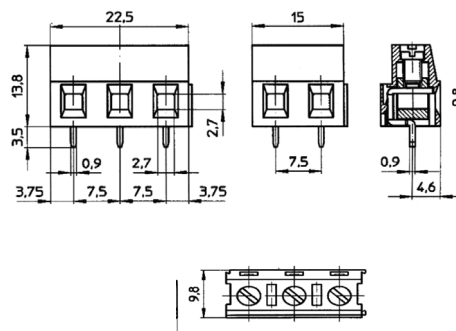
CTB0110



TYPE NO.	POLES	LENGTH
CTB0110/2	2	15mm
CTB0110/3	3	22.5mm
CTB0110/4	4	30mm
CTB0110/5	5	37.5mm
CTB0110/6	6	45mm
CTB0110/7	7	52.5mm
CTB0110/8	8	60mm
CTB0110/9	9	67.5mm
CTB0110/10	10	75mm
CTB0110/11	11	82.5mm
CTB0110/12	12	90mm

### SPECIFICATION

Rating	24A/500V UL=14A/300V, VDE&IMQ=24A/750V
Dielectric strength	≥3kV
Impulse withstand voltage	6kV
Working temperature	110°C
Moulding	UL94-V0 flame retardant PA66
Pin/terminal	Tinned, nickel plated brass
Rising clamp	Tinned, nickel plated brass
Screw/torque	M3 steel zinc plated, 0.5Nm
Recommended PCB hole size	ø1.5mm



CAMDENBOSS

We operate a constant improvement policy, our products are subject to change without notice.

Ver 1.1

+44 (0)1638 716101  
info@camdenboss.com  
www.camdenboss.com



FM 28614 EMS 613558